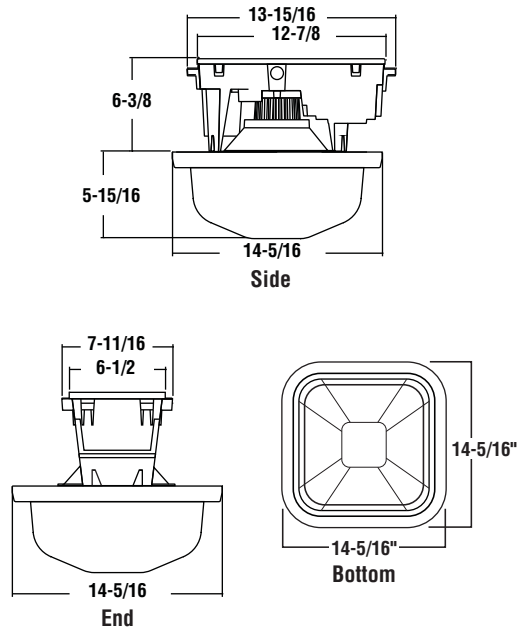


SCOTTSDALE®



DIMENSIONS



SHIPPING WEIGHT

Est. Weight (lbs.) 36

U.S. Patents 5,662,407; D375,379; 6,059,422; 6,224,233; 6,497,499; and other patents pending CA2276077; CA2381049 Patentado 199,294; 8,956

HOUSING - Die-cast one-piece aluminum unit with external fins, ensuring a weather-tight, durable construction. Two threaded conduit openings allow use of ballast box as junction box for through wiring.

LENS/GASKET - Dropped borosilicate prismatic glass lens with a continuous one-piece extruded high temperature gasket to ensure maximum sealing to the housing.

LENS FRAME/DOOR FASTENER - Features an integral hinged die-cast aluminum lens frame. Door frame closes and locks with stainless steel spring catch, **allowing** easy access for ground re-lamping.

INSTALLATION - One-person installation. No additional sealant is required.

REFLECTORS/DISTRIBUTION PATTERNS - Symmetrical, highly specular reflector which directs light into a dropped borosilicate prismatic glass lens. A vertical burn optical system provides a more uniform distribution of light, reduces hot spots, and extends the lighting beyond the outline of the canopy, while adding additional illumination to vertical surfaces. Internal shielding and soft lighting diffusion options are available.

LIGHT SOURCES - Pulse Start Metal Halide or Pulse-Start Metal Halide Reduced.

BALLASTS - High-power factor type ballasts. Pulse-Start Metal Halide fixtures feature Super CWA ballasts. Ballasts are designed for -20 degree F operation. The ballast is mounted in a separate enclosure above the optical unit to provide the lowest operating temperatures available.

FINISH - Standard colors are white or bronze powder coat finish. Each fixture is finished with LSI's DuraGrip® polyester powder coat finishing process. The DuraGrip finish withstands extreme weather changes without cracking or peeling, and is guaranteed for five full years.

WARRANTY - The Scottsdale carries a comprehensive 5-year warranty on all parts, finish, workmanship and electrical components (excluding lamp).

PHOTOMETRICS - For detailed photometric data, contact LSI Petroleum Lighting Sales.



Consult Factory.

LUMINAIRE ORDERING INFORMATION

TYPICAL ORDER EXAMPLE: **SC S 320 PSMV PG MT WHT**

Luminaire Prefix	Distribution	Lamp Wattage	Light Source	Lens	Line Voltage	Luminaire Finish
SC	S - Symmetrical	175	PSMV - Pulse-Start Metal Halide Vertical 175, 200, 250, 320 Watt	PG - Prismatic Glass	MT - Multi-Tap ² TT - Tri-Tap ³	WHT - White BRZ - Bronze
		200				
		250				
		320				
		400	PSMVR - Pulse-Start Metal Halide Reduced 400 Watt			

FOOTNOTES:

- For international voltages, consult factory.
- MT - Multi Tap consists of 120V, 208V, 240V and 277V and is prepared for highest voltage. Alternate voltages will require field adjustment.
- TT - Tri-Tap consists of 120V, 277V and 347V and is shipped standard for Canadian applications and is prepared for highest voltage. Alternate voltages will require field adjustment.

ACCESSORY ORDERING INFORMATION		(Accessories are field installed)	
Description	Order Number	Description	Order Number
Internal Cutoff Shield	131195	400 Watt PSMVR Lamp	380771
Soft Light Diffuser	141257	Prismatic Glass Lens	153514
TCKSC - Thin Canopy Kit for Scottsdale	148935	Door Frame Gasket	1665530
Kit DA to SC Retrofit White Panel	132627	Canopy Gasket	30117Z
Kit RIC to SC Retrofit White Panel	133417	175 Watt MT Ballast	156891EE
Ground Lamp Changers :		200 Watt MT Ballast	177453
250, 320, 400 (Reduced) Watt	132678A	250 Watt MT Ballast	146681
200 Watt	179101Z	320 Watt MT Ballast	151262
175 Watt Pulse-Start Metal Halide (PSMV) Lamp	153864	400 Watt MT Ballast	145535EE
200 Watt Pulse-Start Metal Halide (PSMV) Lamp	177426		
250 Watt Pulse-Start Metal Halide (PSMV) Lamp	146684		
320 Watt Pulse-Start Metal Halide (PSMV) Lamp	22187Z		

GROUND RELAMPING

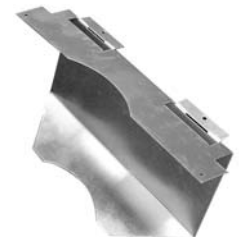
Door Hook



Lamp Changer



Soft Light Diffuser



Internal Cutoff Shield