

Model 234 & 235 Gate Valve Series

SPECIFICATION SHEET

The Morrison Fig. 234/235 Series Gate Valves are rising stem double disc style positive shut-off valves. Temperature rating is -50° to 450° F. Cold non-shock pressure rating is 200 P.S.I. W.O.G. Fig. 234/235 series valves are available with optional locking bonnets. Fig. 234 series flanged gate valves conform to ANSI B16.42 Specifications for Class 150 raised face ductile Iron flanges.

Construction Details

- Powder coated aluminum handwheel
- Brass stem
- Brass discs



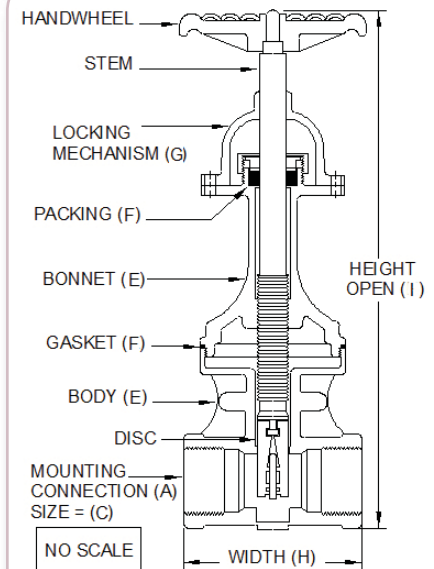
Model 234DI

Model 235

I.D. Number	A	B	C	D	E	F	G	H	I	J	K	L
234DI-0150 AV	F	4	2	N	DI	TFE	N	6	16.09	13.9	4.75	20
234BDI0150 AV	F	4	2	N	DI	TFE	Y	6	16.09	13.9	4.75	21.5
234DI-0200 AV	F	4	3	N	DI	TFE	N	6.47	21	17.12	6	37.3
234BDI0200 AV	F	4	3	N	DI	TFE	Y	6.47	21	17.12	6	38
235---0100 AV	---	---	1.5	N	BR	GP	N	3.25	12.5	10.62	---	5.5
235B--0100 AV	---	---	1.5	N	BR	GP	Y	3.25	12.5	10.62	---	6.3
235DI-0700 AV	---	---	1.5	N	DI	TFE	N	3.25	12.5	10.62	---	16.5
235BDI0700 AV	---	---	1.5	N	DI	TFE	Y	3.25	12.5	10.62	---	18
235---0200 AV	---	---	2	N	BR	GP	N	4	14.5	12.31	---	7.8
235B--0200 AV	---	---	2	N	BR	GP	Y	4	14.5	12.31	---	9.3
235DI-0300 AV	---	---	2	N	DI	TFE	N	4	14.5	12.31	---	4.5
235BDI0300 AV	---	---	2	N	DI	TFE	Y	4	14.5	12.31	---	5.8
235---0400 AV	---	---	3	N	BR	GP	N	4.37	19.5	16.5	---	16
235B--0400 AV	---	---	3	N	BR	GP	Y	4.37	19.5	16.5	---	17.8
235DI-0400 AV	---	---	3	N	DI	TFE	N	4.37	19.5	16.5	---	8
235BDI0400 AV	---	---	3	N	DI	TFE	Y	4.37	19.5	16.5	---	10

SPECIFICATION OPTIONS:

- | | |
|--|--|
| <p>A—Mounting connection:
Female N.P.T. (blank),
Flanged (F)</p> <p>B—Number of Bolt Holes</p> <p>C—Size: 1.5", 2", 2.5", 3"</p> <p>D—Expansion relief: Yes/No</p> <p>E—Body / Bonnet material:
DI (Ductile Iron), BR (Brass)</p> | <p>F—Gasket / Packing material:
TFE (PTFE)
GP (General Purpose)</p> <p>G—Locking mechanism: Yes/No</p> <p>H—Width (inches)</p> <p>I—Height of valve open (inches)</p> <p>J—Height of valve closed (inches)</p> <p>K—Bolt circle diameter (flanged only)</p> <p>L—Shipping weight (lbs.)</p> |
|--|--|



570 E. 7th Street, P.O. Box 238 | Dubuque, IA 52004-0238

t. 563.583.5701 | 800.553.4840 | f. 563.583.5028

www.morbros.com