

# Standard Centrifugal Pump

## Model 62F31-B

### Size 3" x 2"



#### PUMP SPECIFICATIONS

**Size:** 3" x 2" (76 mm x 52 mm) Flanged.

**Casing:** Ductile Iron 65-45-12.

Maximum Operating Pressure 182 psi (1255 kPa).\*

**Enclosed Type, Four Vane Impeller:** Aluminum Alloy 356-T6.  
Handles 1/4" (6,4 mm) Diameter Spherical Solids.

**Impeller Shaft:** Carbon Steel 1045.

**Bearing Housing:** Ductile Iron 65-45-12.

**Bearing Housing Lubrication:** Grease.

**Body Cover:** Ductile Iron 65-45-12.

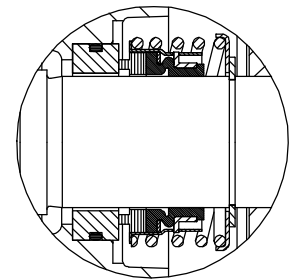
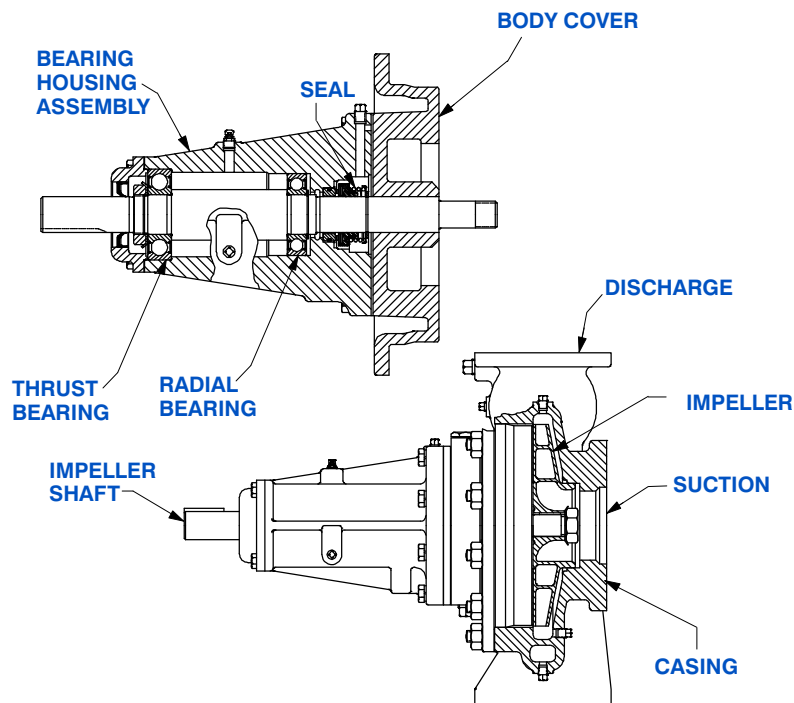
**Radial and Thrust Bearings:** Sealed Single Row Ball.

**Gaskets:** Vegetable Fiber and Cork.

**Hardware:** Standard Plated Steel.

**Optional Equipment:** 3" NPT Suction and 2" NPT Discharge Flange Kit. Strainer. Copper Alloy C93700 Impeller. PTFE Seal. Stainless Steel 416 Impeller Shaft.

*\*Consult Factory for Applications Exceeding Maximum Pressure and/or Temperature Indicated.*



#### SEAL DETAIL

Type 2, Mechanical Self-Lubricated. Carbon Rotating Face. Ni-Resist Stationary Face. Fluorocarbon Elastomers (DuPont Viton® or Equivalent). Stainless Steel 18-8 Cage and Spring. Maximum Temperature of Liquid Pumped, 160°F [71°C].\*



GORMAN-RUPP PUMPS

[www.grpumps.com](http://www.grpumps.com)

Specifications Subject to Change Without Notice

Printed in U.S.A.

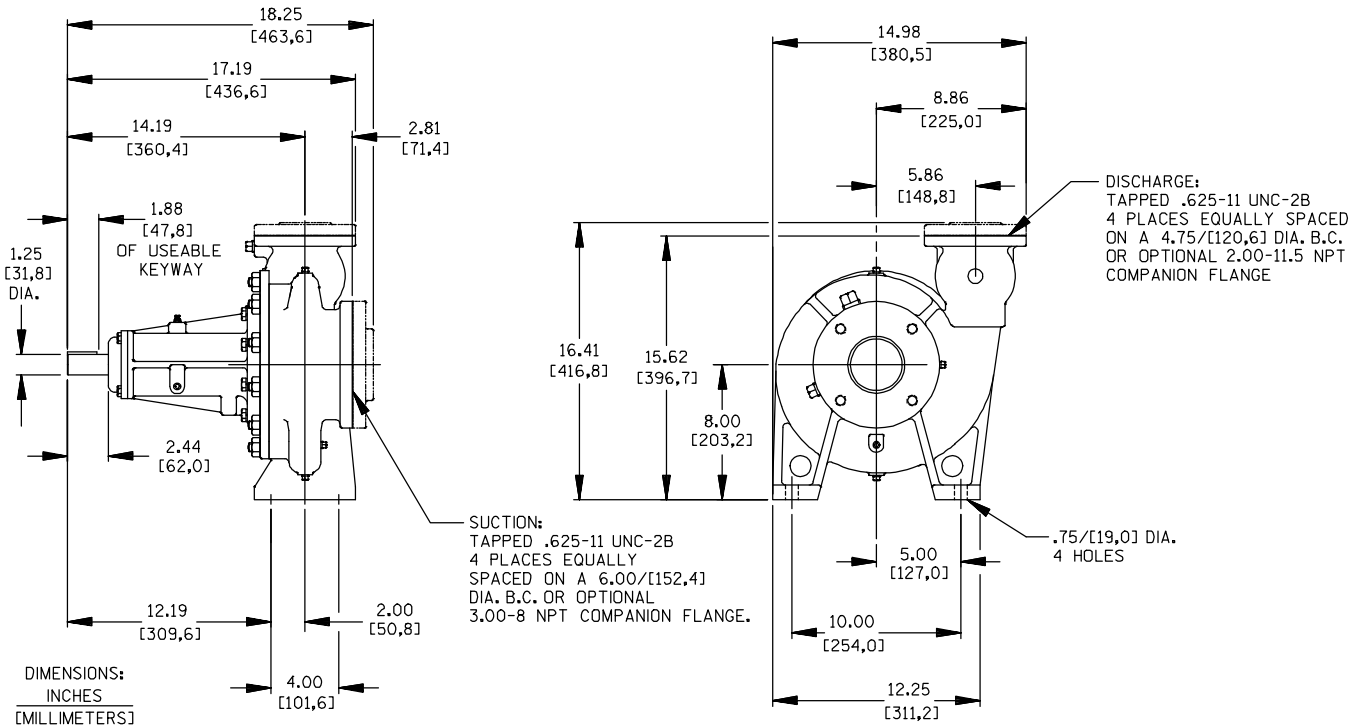
**Specification Data**

SECTION 70, PAGE 250

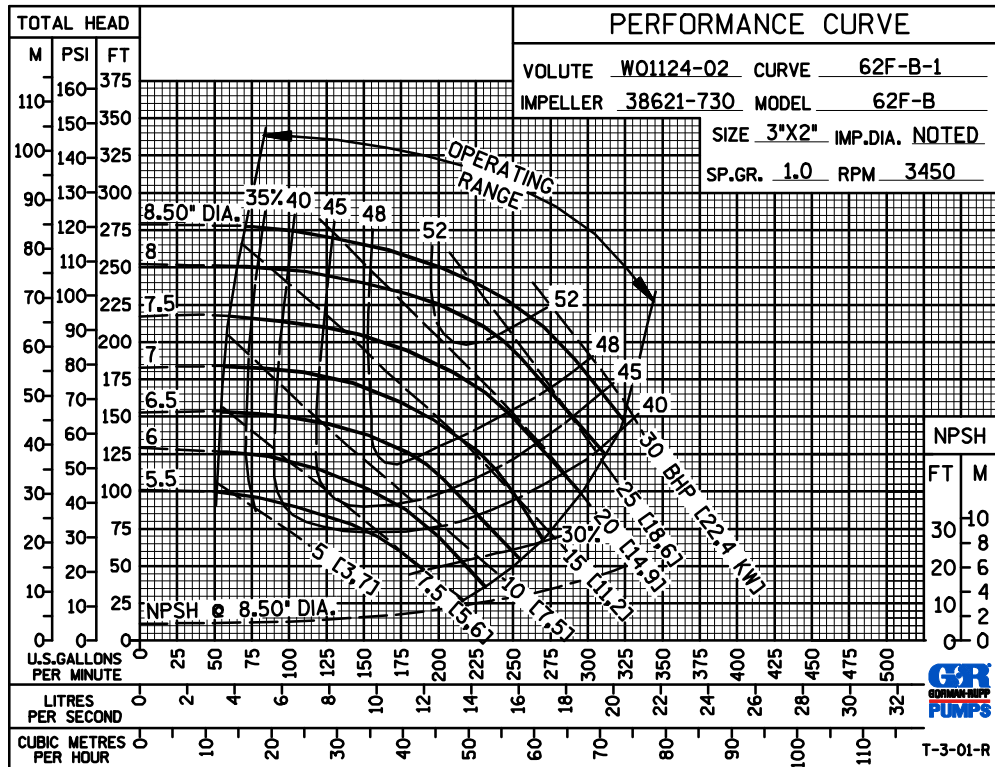
APPROXIMATE DIMENSIONS and WEIGHTS

NET WEIGHT:  
SHIPPING WEIGHT:  
EXPORT CRATE:

140 LBS. (63,5 KG.)  
150 LBS. (68 KG.)  
5.6 CU. FT. (0,16 CU. M.)



**60 HERTZ PERFORMANCE BASED ON WATER**



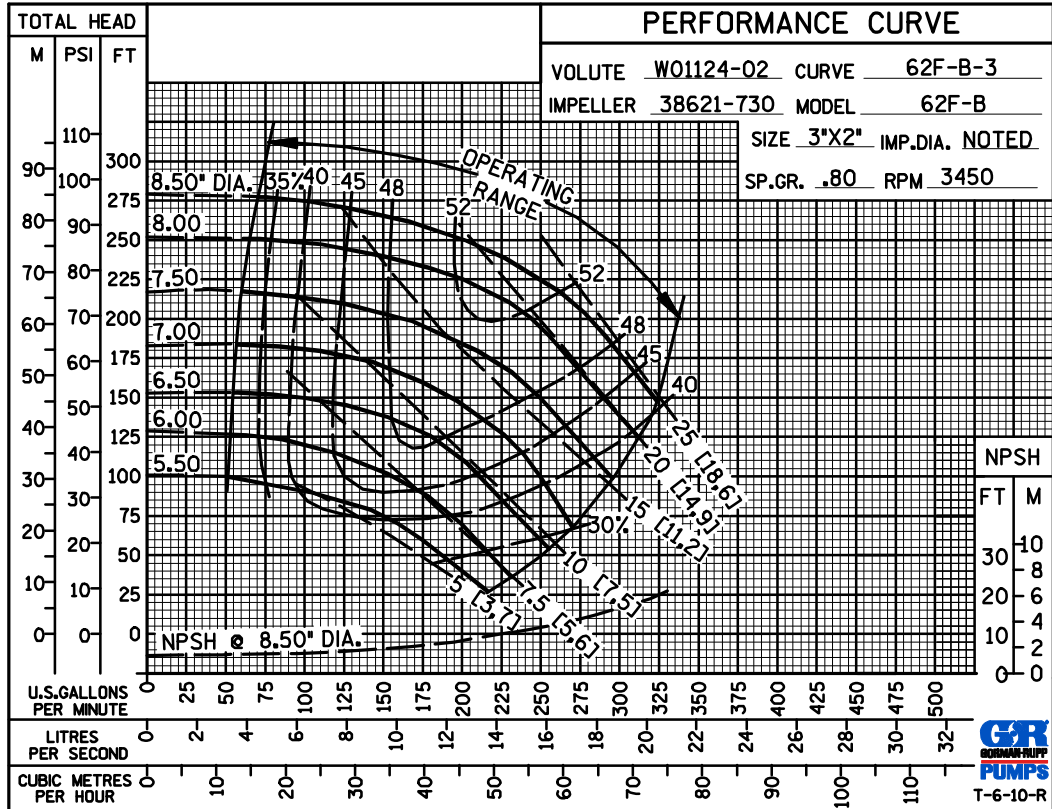
**GORMAN-RUPP PUMPS**

www.grpumps.com

Specifications Subject to Change Without Notice

Printed in U.S.A.

60 HERTZ  
PERFORMANCE  
BASED ON  
PETROLEUM



GORMAN-RUPP PUMPS

www.grpumps.com

Specifications Subject to Change Without Notice

Printed in U.S.A.