



Family Owned Over 80 Years. We Care!



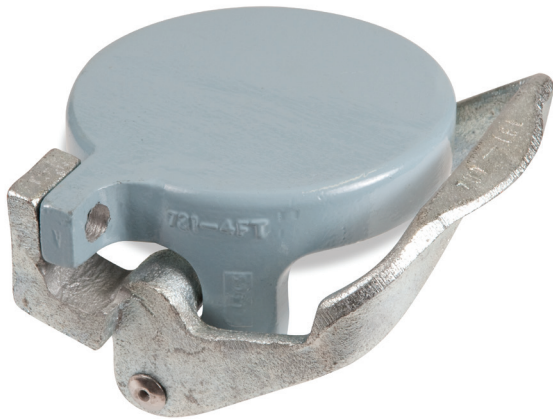
TIGHT FILL ACCESSORIES

FLAT TOP CAP TOP SEAL

Application -

Low profile which extends only 5/8" above the adapter, allows maximum clearance in manhole. Provides a total seal.

Part Number - 731



UNIVERSAL Advantage

Only from Universal - a special low profile design allows for maximum clearance in manhole installations to compensate for ground heaving and settling. Our cam-action cap and handle design combines with the gasket to produce a water and vapor tight total seal solution. Truly the best in the industry.

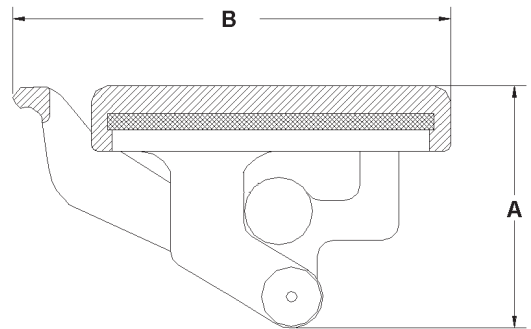
Features -

- ✓ Water and vapor tight cam-action handle
- ✓ Color-coded in "gray" for easy recognition and maintenance
- ✓ Compatible with 724 and 724CA adapters
- ✓ Non-corrosive polymeric coating
- ✓ Compatible with E-85

Construction -

- All aluminum cast cap
- Ductile cast iron handle
- Buna-N Seal

Model	Cap Size	Weight (lbs.)	A	B
731-40	4"	3.5	4"	7"



Replacement Parts

Part Numbers	Description
731-4-C	Gasket

Notice: Universal Valve Co., products must be used in compliance with applicable federal, state, and local laws and regulations. Product selection should be based on physical specifications and limitations and compatibility with the environment and material to be handled. Universal Valve Co., makes no warranty of fitness for a particular use. All illustrations and specifications in this literature are based on the latest production information available at the time of publication. Prices, materials, and specification are subject to change at any time, and models may be discontinued at any time, in either case, without notice or obligation.

UNIVERSAL VALVE COMPANY

478 Schiller Street, Elizabeth, NJ 07206 • (800) 223-0741 • (908) 351-0606 • Fax: (908) 351-0369 • universalvalve.com

© 2017 Universal Valve Company, Inc.