



# FILL-RITE®

## NX25-120 & NX25-240 SERIES AC FUEL TRANSFER PUMPS

Installation and Operation Manual



MADE IN  USA  
WITH GLOBAL MATERIALS

  
GORMAN-RUPP  
COMPANY

**Table of Contents**

Unique nextec Features ..... 3

Safety Information ..... 3

Fueling Safety ..... 4

Installation ..... 4

Nozzle Boot Installation ..... 4

Pump Foot Installation ..... 4

Anti-Siphon Device ..... 5

Tank Installation ..... 5

AC Power Connection ..... 6

Operational Safety ..... 6

Operating Instructions ..... 7

Padlocking ..... 7

Dimensional Information ..... 8

Technical Information ..... 9

Servicing the Bypass Valve ..... 10

Model Information ..... 11

Accessory Packages ..... 11

Kits and Parts ..... 12

Servicing Rotor, Vanes, and Shaft Seals ..... 12

Exploded View ..... 13

Troubleshooting Guide ..... 14

Intelligent Tones ..... 15

**Thank You!**

Thank you for your loyalty to the Fill-Rite® brand of fuel transfer pumps. Your safety is important, so please read and thoroughly understand the procedures set forth in this manual. In addition, please save these instructions for future reference and record the model, serial number, and purchase date of your fuel transfer pump. Protect yourself as well as those around you by observing all safety instructions and adhering to all danger, warning, and caution symbols. Please register your Fill-Rite® product via [info.fillrite.com/product\\_registration](http://info.fillrite.com/product_registration).

**IMPORTANT RETURN POLICY**

**Please do not return this product to the store.** For all warranty and product questions, please contact Fill-Rite Technical Support at 1 (800) 720-5192 or via email at [FillRiteTech@fillrite.com](mailto:FillRiteTech@fillrite.com) (M-F, 8 AM – 5 PM ET).

MODEL#	
SERIAL#	
PURCHASE DATE:	



**Limited Warranty Policy**

Fill-Rite Company warrants the goods manufactured shall be free from defects of materials and workmanship. Specific warranty details for individual products can be found at [fillrite.com](http://fillrite.com).

### Unique Features of the nextec Pump

Your nextec fuel transfer pump will perform differently from non-intelligent pumps on start-up and while operating. You will want to keep the following in mind as you begin to use and learn how your nextec Intelligence pump operates.





- **On initial start up**, the pump may rev momentarily, but will slow down, as if idling, as it responds to the load it senses. **This is a normal condition**, and it will continue at this low speed until you squeeze the handle on the dispensing nozzle to begin fluid flow.
- When you squeeze the nozzle handle to begin flow, the microprocessor in the pump will sense the change, and will raise the RPM's to meet the load.

**It is not uncommon for the pump to change RPM's during operation.** It will do this as it senses performance parameters are changing; for example, if you increase or decrease the flow at the nozzle, the electronics controlling the motor will sense the changes and adjust the motor speed to optimize performance.






- If the pump senses a condition that is outside normal operating parameters (e.g. low input voltage), it will sound a series of tones to alert you to the condition, and to help you diagnose it. See the "Intelligent Tones" section of the Troubleshooting Guide on page 14 for greater detail on this feature.
- Your nextec pump has a **Continuous Duty Cycle**, meaning it does not have to be shut off to "rest" after a specific period of use. This allows you to move from fueling one piece of equipment to another without having to shut the pump off. The nextec Intelligence does, however, have an automatic shut off if the pump is left running in bypass mode (without dispensing any fluid) for 20 minutes. This feature protects from unnecessary power consumption and excessive wear to the pump in the event you forget to shut the pump off. Should the pump turn itself off under these conditions, simply cycle the power switch off, then back on to restore pump operation.
- The nextec Intelligence will also shut the motor down if:
  - ▶ Pump temperature exceeds threshold parameters
  - ▶ Input voltage is outside threshold parameters
  - ▶ Rotor is locked

### About This Manual

From initial concept and design through final production, your Fill-Rite fuel transfer pump is built to provide years of trouble-free use. To ensure the safety of yourself and those around you, it is critical that this manual is read in its entirety prior to attempting to install or operate your new purchase. We strongly urge that any installer and operator become familiar with the terms, diagrams, and technical data in this manual and pay close attention to warning symbols and definitions. At Fill-Rite, your satisfaction with our products is paramount. If you have questions or need assistance with your product, please contact Technical Support at 1 (800) 720-5192 or via email at FillRiteTech@fillrite.com (M-F, 8 AM – 5 PM ET).

 <b>DANGER</b>	Indicates a hazardous situation which, if not avoided, will result in death or serious injury.
 <b>WARNING</b>	Indicates a hazardous situation which, if not avoided, could result in death or serious injury.
 <b>CAUTION</b>	Indicates a hazardous situation which, if not avoided, could result in moderate or minor injury.
 <b>NOTICE</b>	Indicates information considered important but not directly hazard related.

### Safety Information

 <b>DANGER</b>	Electrical wiring should be performed with extreme caution and in compliance with local, state, and national electrical code NEC/ANSI/NFPA 70, NFPA 30, and NFPA 30A, as appropriate for the intended use of the pump. Threaded rigid conduit, sealed fittings, and conductor seal should be used where applicable. The pump must be properly grounded. It is recommended that a licensed electrician perform the installation. Improper installation or use of this product will result in serious bodily injury or death!
 <b>DANGER</b>	To ensure safe and proper operation of your equipment, it is critical to read and adhere to all of the following safety warnings and precautions. Failure to follow instructions below, improper installation, or use of this product, will cause serious bodily injury or death! <ul style="list-style-type: none"> <li>• <b>NEVER</b> smoke near the pump, or use the pump near open flames when pumping a flammable liquid! Fire may result!</li> <li>• This product shall not be used to transfer fluids into any type of aircraft.</li> </ul>
 <b>DANGER</b>	To minimize static electricity build up and possible explosion, use only static wire conductive hose when pumping flammable fluids, and keep the fill nozzle in contact with the container being filled during the filling process. Spark / static discharge may cause explosions.
 <b>WARNING</b>	Threaded pipe joints and connections should be sealed with the appropriate sealant or sealant tape to minimize the possibility of leaks. Leaking fuel may cause the potential for fire and explosion.
 <b>CAUTION</b>	The pump motor is equipped with electronic protection from thermal overload; if overheated, the motor will slow down. After the motor has cooled, you may cycle power or the switch to reset this safety feature and continue use. The pump will not restart until properly cooled.

**CAUTION**

This product is not suited for use with fluids intended for human consumption or fluids containing water. Materials of construction are not food grade. Water will cause rust and corrosion in the pump housing. If water enters the pump, flush immediately with a petroleum product (gasoline, diesel, kerosene, etc.) to eradicate residual water.

**NOTICE**

A Fill-Rite filter should be used on the pump outlet to ensure no foreign material is transferred to the fuel tank. Foreign material can damage the equipment being fueled.

**Fueling Safety**

**DANGER**

Fumes accumulated while fueling create an Explosive Atmosphere. It is **CRITICAL** that all possible sources of ignition be removed to a safe distance or extinguished. Sources of ignition would include (but not limited to) open flames, cigarettes, static discharge, or electrical connections that can create a spark. Explosion, fire, and severe injury or death will occur if the explosive vapors are ignited.

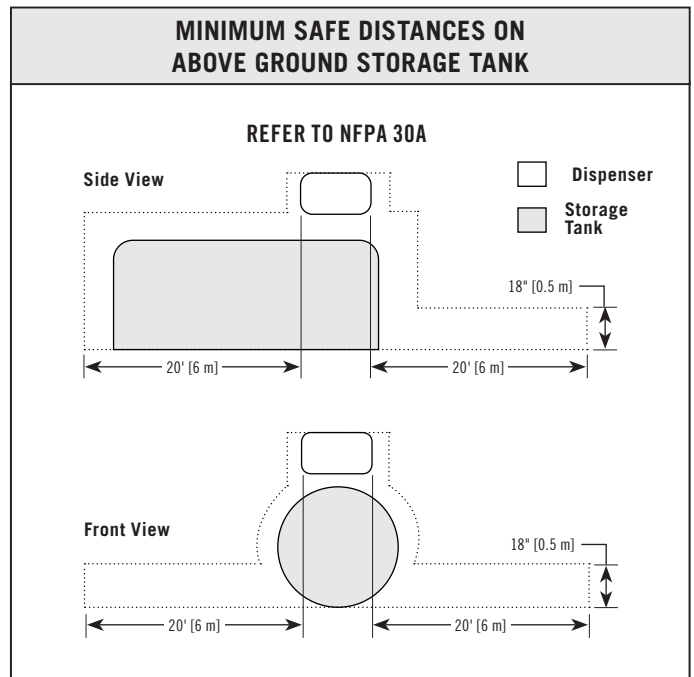
As a tank is being filled, air is displaced and exits via the fuel tank vent creating fumes, which when accumulated create an Explosive Atmosphere. To avoid possible explosion of accumulated vapors, it is critical to keep possible sources of spark / ignition at safe distances from the fuel vapors.

The accompanying diagram shows minimum safe distances between the storage tank, dispenser, and power source.

**WARNING**

static electric spark can occur when filling portable containers sitting on truck bed liners, or on any vehicle's carpeting or floor matting. This spark will explosively ignite a gasoline vapor fire and cause **SERIOUS INJURY** or **DEATH**.

- **STATIC ELECTRIC SPARK EXPLOSION HAZARD.**
- **NEVER** fill portable containers that are in or on vehicles.
- **ALWAYS PLACE CONTAINERS ON GROUND.**
- Keep nozzle in contact with container while filling.



**Installation**

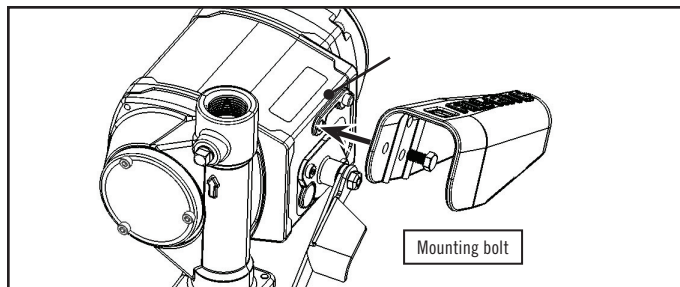
NX25-120 and NX25-240 pumps are designed to offer several different mounting configurations. It can be mounted on a skid tank using the tank adapter supplied with the pump (see attached diagrams), or mounted on a concrete island using an optional pedestal adapter (model FRPA125 is available through your Fill-Rite distributor). Regardless of mounting style, all tanks must be properly vented.

**CAUTION**

Do not use check valves or foot valves unless they have a proper pressure relief valve built into them. Note that check valves will reduce rate of flow.

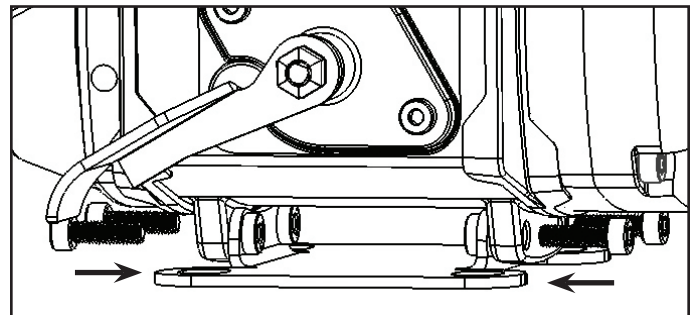
**Nozzle Boot Installation**

Install the nozzle boot using the supplied attaching bolt. Note that the bolt is inserted through the hole closest to the nozzle opening, and the boot is then positioned so the peg on the pump mounting surface inserts in the top second hole of the boot. This allows for correct alignment of the nozzle when inserted into the boot.



**Foot Mount Installation**

The mounting foot is bolted to the bottom of the pump using the four supplied socket head cap screws. Mount the foot with the bolt flanges inboard of the mounts on the pump as illustrated. Torque to 50 in-lbs with 4mm hex key.



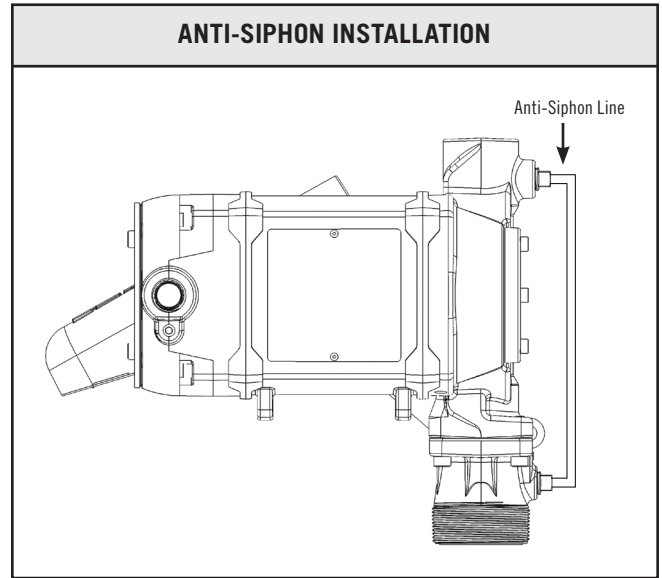
**Anti-Siphon Device**

NX25-120 and NX25-240 pumps comes from the factory ready to install an anti-siphon tube back to the tank. An anti-siphon device (a.k.a. vacuum breaker) is important because it will break a liquid siphon if there is an open nozzle or a leaking hose below the fluid level in the tank when the pump is turned off. Fill-Rite recommends anti-siphon kit #KIT321ASN be installed from the pump outlet back to the vapor space in the tank.

This illustration shows where to install the tube so that it terminates in the vapor space at the top of the tank. The tube must terminate in the vapor space; if it terminates below the fluid level in the tank, it will not prevent siphoning. It is very important there are no liquid traps in the tubing; it must have a continuous slope from the pump down to the tank, and can be connected into any opening in the top of the tank if the tank adapter is not used. Use reducer bushings as required for proper fit and seal.

The 1/4" NPT opening in the side of the tank adapter terminates in the vapor space of the tank. Make liquid-tight connections using the appropriate sealant from the adapter to the anti-siphon outlet using a minimum of 1/4" metal tubing that is compatible with whatever liquid is being pumped. If the anti-siphon tank adapter is being used and the 1/4" NPT opening is not used for the tubing, leave the factory installed plug in place.

Fill-Rite offers Anti-Siphon kit #KIT321ASN (available through your Fill-Rite distributor). This kit contains the necessary fittings and tubing to complete the installation as pictured in this section. **NOTE: This kit ONLY works for tank top installations.**



**Tank Installation**

NX25-120 and NX25-240 pumps mount to the bung of a tank by way of the tank adapter that is bolted to the inlet flange. The suction tube threads into the bottom of the tank adapter, and must be cut to a length that positions it at least 3" from the bottom of the tank. The tank must be equipped with a vent cap.

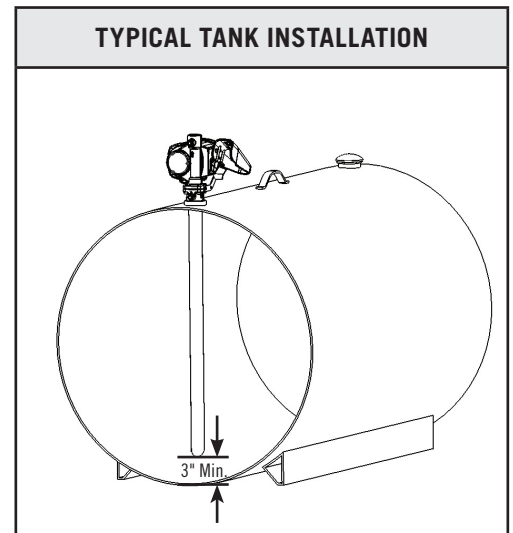
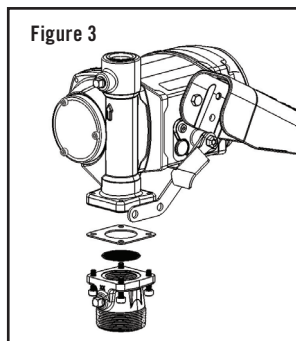
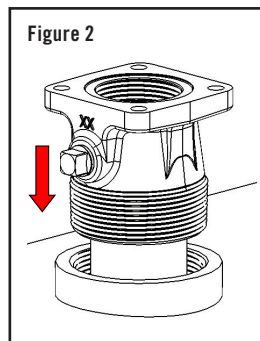
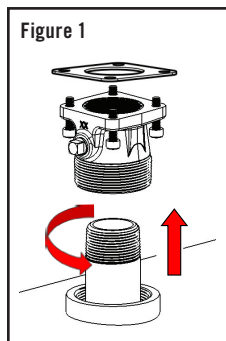
**Materials**

- 1-1/4" steel pipe cut to a length at least 3" above of the bottom of the tank when screwed into the tank adapter, with the tank adapter screwed into the bung connection on top of the tank.
- Thread pipe joint sealant appropriate for the application.

**Installation Procedure**

1. Thread the 1-1/4" pipe into the tank adapter. Seal threads liquid-tight with appropriate sealant (Figure 1).
2. Screw the tank adapter (with suction pipe) into the tank bung; seal threads liquid-tight with appropriate thread sealant (Figure 2).
3. Mount the pump on the adapter; making sure the seal and screen are installed as shown (Figure 3).

**NOTE: Tank adapters come in either NPT or BSP threads, depending on the model you purchase (see page 11 for model specific information).**



**NOTICE**

Be certain the screen is properly seated in the indentation in the tank adapter before installing seal and tank adapter to the pump. Failure to properly seat the screen can result in fluid leakage.

**Electrical Wiring**

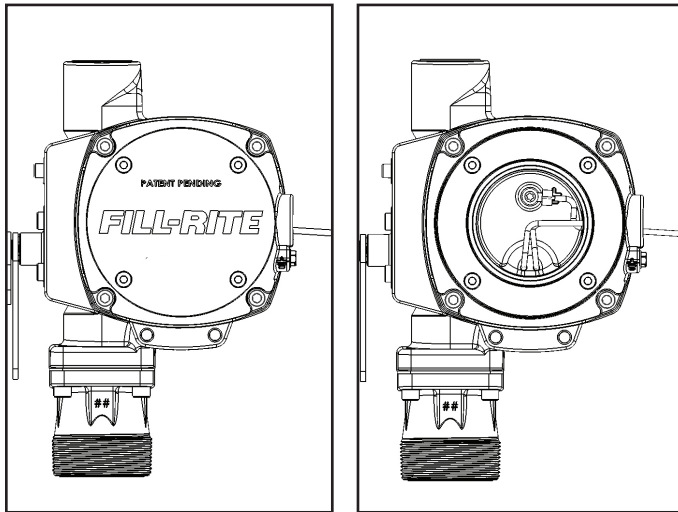
**⚠ WARNING**

Electrical wiring should be performed **ONLY** by a licensed electrician in compliance with local, state, and national electrical code NEC/ANSI/NFPA 70, NFPA30, and NFPA 30A, as appropriate to the intended use of the pump. Threaded rigid conduit, sealed fittings, and conductor seal should be used. The pump must be properly grounded. Improper installation or use of this pump can result in serious bodily injury, or death!

**⚠ CAUTION**

All pumps should be operated at the Rated Nameplate Voltage. Power should be supplied to the pump from a dedicated 20 amp circuit breaker. No other equipment should be powered by this circuit. Wiring must be of sufficient size to carry the correct current for the pump. Voltage drop will vary with distance to pump and size of wire; refer to the National Electrical Code (NEC), or local codes, for Voltage Drop Compensation to be sure you are using the correct size wire for your application.

**Wiring Procedure**



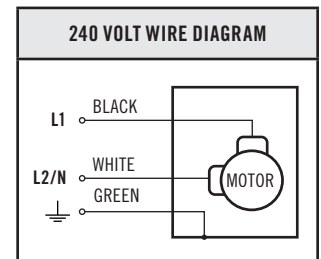
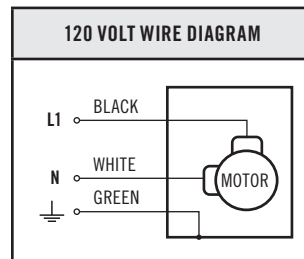
1. Remove the junction box cover and straighten the wires to make sure the stripped wire ends are accessible outside the junction box.
2. Connect the pump wires to the power supply lines according to the diagram. Be certain to properly insulate the connections with the appropriate wire nuts or other connectors. Note that the ground wire **MUST** be connected. The conduit connection is 1/2" NPT threading. (For all NX25-240B models, single location, entry threads are M20 x 1.5).
3. Fold the wires back into the junction box and replace the cover, making sure the cover gasket is in place. Torque fasteners to 44 in-lbs with 4mm hex key.

**⚠ WARNING**

NX25-120 & NX25-240 pumps are **NOT** dual voltage. Wire according to voltage on motor tag.

**NOTICE**

Be certain the gasket for the cover is in place, and the screws draw the cover down tight over the junction box. There must be no gap between the junction box and it's cover.



**Operational Safety**

**⚠ DANGER**

**DO NOT** use pump in enclosed areas when pumping hazardous or explosive fluids. Pumping area should be well ventilated. Concentrated vapors in an enclosed area are noxious and highly explosive!

**⚠ WARNING**

**NEVER** disconnect the power wiring from the pump while pump is switched on or connected to a power source. **ALWAYS** switch the pump off and disconnect the power source **PRIOR** to disconnecting the power wiring from the pump. Electrical shorts, sparks, or unexpected start up can occur.

**⚠ WARNING**

Use caution when operating the pump. The hoses can be a trip hazard; caution should be exercised while moving around the hoses to avoid tripping or entanglement.

**⚠ WARNING**

Pump assembly can become hot with extended use. Use caution if you have to touch the pump after extended periods of use.

**Operating Instructions**

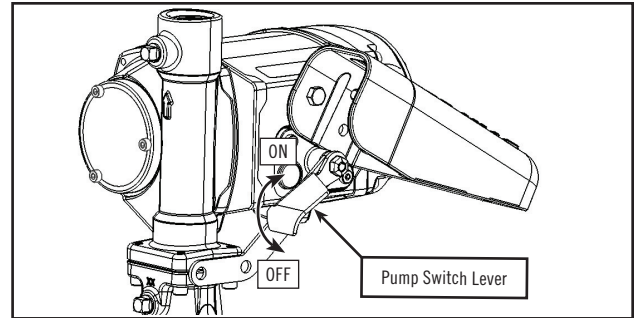
**NOTICE**

The motor has power at all times when connected to a power source. The switch does not apply or interrupt power to the motor. High voltage may still be present inside the pump after power is removed.

**CAUTION**

Always keep the nozzle in contact with the container being filled during the filling process to minimize the possibility of static electricity build up.

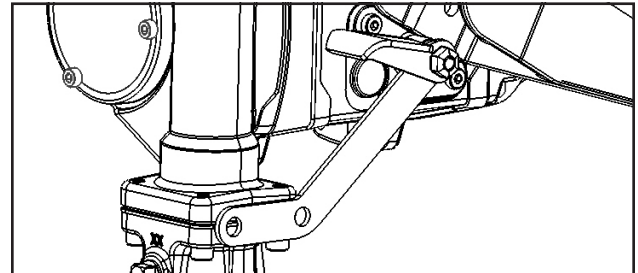
1. Remove dispensing nozzle from nozzle boot.
2. Move the switch lever to the "ON" (raised) position to start the motor. The pump should start and settle into a slow idle.
3. Insert the dispensing nozzle into the container to be filled.
4. Operate the nozzle to dispense fluid; release nozzle when the desired amount of fluid has been dispensed.
5. Move switch lever to the "OFF" (lowered) position to stop the motor.
6. Remove the dispensing nozzle from the container being filled and store it in the nozzle boot.



**Pad Locking**

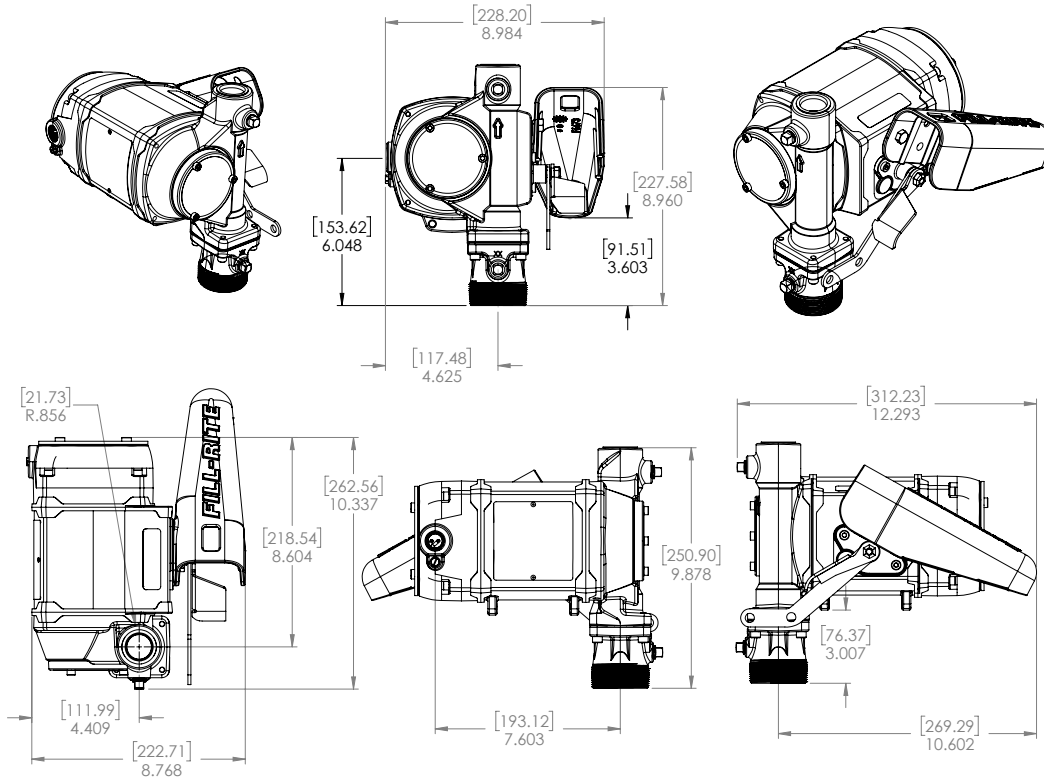
Your Fill-Rite nozzle can be pad locked to the pump for added security. With the pump turned off, and the nozzle in the stored position, a pad lock can be inserted through the locking link and the nozzle handle opening. This configuration prevents the nozzle from being removed from the nozzle boot.

The locking link is located on the nozzle side of the pump, and can be pivoted into position to work with the nozzle listed on the barrel label of your NX25-120 or NX25-240 pump. Use the appropriate position and hole to lock your nozzle securely to your NX25-120 or NX25-240 series pump.

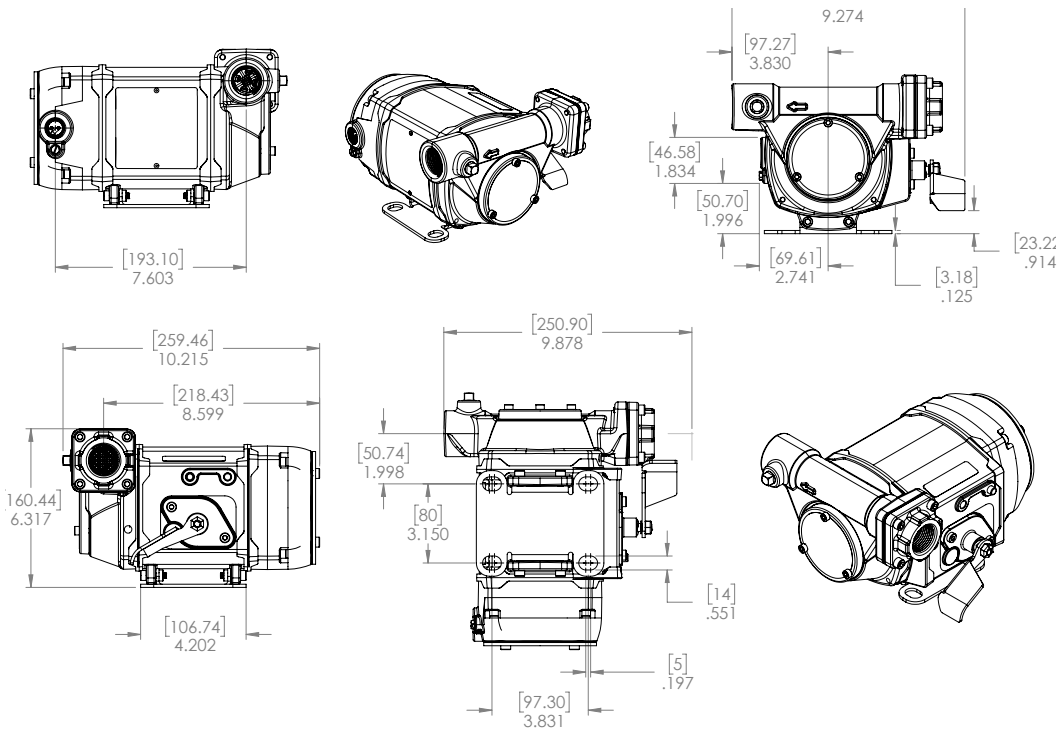


**NX25-120 & NX25-240 Dimensional Information**

**Bung Mount Dimensional Information**



**Foot Mount Dimensional Information**





**Technical Information**

Motor	Specification
Power	120V AC / 240V AC 50/60 Hz
HP (horsepower) rating	1/3
Amps (FLA)	4.9 / 2.5
RPM	Variable 400 - 3500
Duty cycle	Continuous for Fuel Transfer
Thermal protection	Electronically Protected
Certification	UL / cUL Motor

Pump	Specification
Design	Rotary Vane
GPM in Supplied Configuration	25 GPM / 95 LPM*
Bypass Pressure Rating (PSI) - Max	25 PSI
Dry vac (in. Hg)	11
Head – Max	48.5'
Inlet – size / thread	1-1/4" Bung Mount / 1" Foot Mount (NPT and BSP available)
Outlet – size / thread	1" NPT (BSP available)
Inlet - Material	Cast Iron
Mount	2" NPT Bung 2" BSP Bung / Foot
Material – Pump Housing	Cast Iron
Materials – Wetted Material	Phenolic, Stainless Steel, Steel, Acetal, Thermoset , BUNA-N, Fluorocarbon, Ceramic
Rotor Material	Powdered Iron
Rotor Vane Material	Acetal
Compatible Fluids	Diesel, Gasoline, Bio-Diesel up to B20, E15, Kerosene, Mineral Spirits, Methanol (up to 15%)
Strainer Mesh Size	20 x 20
Warranty	2 Years
Minimum Rated Temperature	-40° F / -40° C

\*Adding accessories will affect flow rate

**Accessories**

Accessories	Description
N100DAU13	1" Ultra High-Flow Automatic Nozzle
N100DAU13G	1" Ultra High-Flow Automatic Nozzle (Diesel)
N100DAU12	1" High-Flow Automatic Nozzle
900CD	Digital Meter
900CDP	Digital Meter with Pulser
FRH10020	20' x 1" Static Discharge Hose
FRH10012	12' x 1" Static Discharge Hose
S100H1315	1" Multi-Plane Swivel
TT10AN	1" Digital In-Line Turbine Meter

**Servicing the Bypass Valve (Disassembly)**

**WARNING**

Disconnect electrical power and relieve any pressure in the lines prior to servicing this pump! Failure to do so can result in damage to the equipment and personal injury or death!

**NOTICE**

Removal of the bypass valve in the NX25-120 or NX25-240 series pump requires special attention; please adhere to the replacement procedure in the kit instructions to minimize the possibility of damaging the pump housing during the removal and re-installation process. Kit instructions are available at [fillrite.com](http://fillrite.com).

The bypass valve is located inside the pump housing. It is accessed through the inlet and outlet openings.

It consists of three main components (Figure 1):

- A. Bypass Valve Retainer
- B. Bypass Valve Spring
- C. Bypass Valve

1. Unbolt the pump from the tank adapter.
2. Using a blunt object approximately 4" long (i.e. a deep well socket on an extension) inserted in the inlet opening, push the bypass valve firmly in place against the seat it seals on (Figure 2).
3. While holding the bypass valve firmly in place with the socket, insert needle nose pliers (at least 4" long) into the outlet opening and grasp the bypass valve retainer (Figure 2 & 3).
4. Push the bypass valve retainer down slightly and rotate it 90 degrees counter-clockwise. This will align the slot in the retainer with the key on the valve, allowing you to remove the retainer (Figure 2 & 3).

**Servicing the Bypass Valve (Reassembly)**

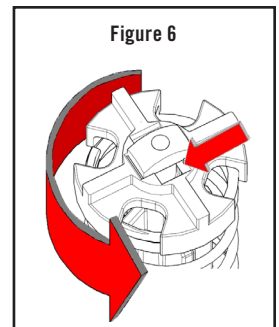
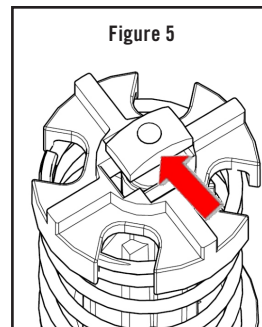
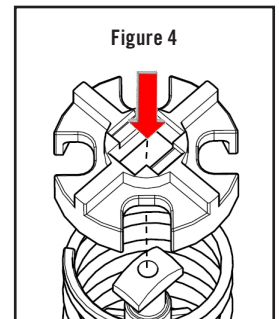
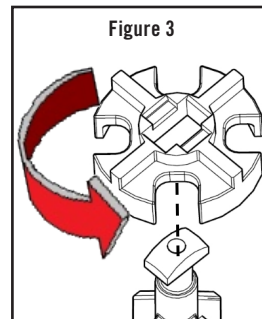
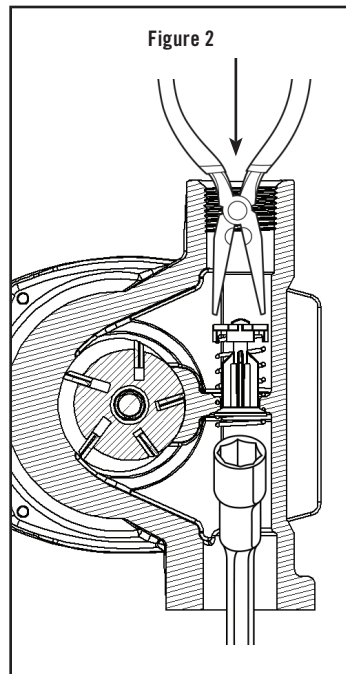
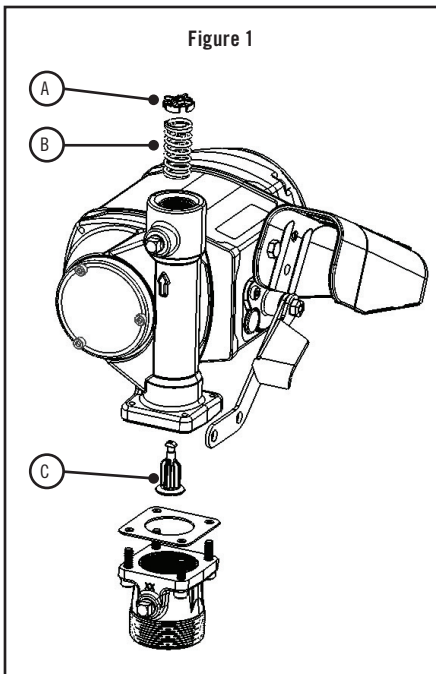
**WARNING**

Always wear eye protection anytime you look into the Pump Outlet; a mispositioned or improperly installed valve spring retainer can pop up unexpectedly. Note that use of a small flashlight can help you better see and more easily align the components in this task.

1. Using needle nose pliers, place the bypass valve retainer on top of the bypass valve spring. Carefully align the slot in the top of the bypass valve retainer with the locking tab on top of the bypass valve (Figure 4).
2. Push the bypass valve retainer down over the locking tab on the bypass valve. Push the retainer down (compressing the spring) until it is completely below the locking tab (Figure 5).
3. Rotate the bypass valve retainer 90 degrees counterclockwise and allow the spring to gently push it back up to contact the locking tab. The locking tab **MUST** be seated in the indentation in the bypass valve retainer (Figure 6).

**WARNING**

It is critical that the locking tab be seated in the indentation in the bypass valve retainer as illustrated. Failure to do so can cause the retainer to come off when operating in bypass mode, potentially damaging the pump, or ejecting upward through the pump outlet while servicing.



**Model Specific Information**

Model	Voltage	Mount	Threads	Accessory Package	Hose	Nozzle	Meter	Certification
NX25-120NB-PX	120V	2" NPT Bung	NPT	PX	-	-	-	UL/cUL
NX25-120NB-AA	120V	2" NPT Bung	NPT	AA	1" X 18'	1" Ultra Hi-Flow Automatic	-	UL/cUL
NX25-120NB-AB	120V	2" NPT Bung	NPT	AB	1" X 18'	1" Ultra Hi-Flow Automatic	900CD	UL/cUL
NX25-120NB-AC	120V	2" NPT Bung	NPT	AC	1" X 18'	1" Ultra Hi-Flow Automatic	900CDP	UL/cUL
NX25-120NB-AG	120V	2" NPT Bung	NPT	AG	¾" x 12'	¾" Unleaded Automatic Nozzle	-	UL/cUL
NX25-120NB-AH	120V	2" NPT Bung	NPT	AH	¾" x 12'	¾" Unleaded Automatic Nozzle	901C	UL/cUL
NX25-120NB-AJ	120V	2" NPT Bung	NPT	AJ	1" X 18'	1" Ultra Hi-Flow Automatic	901C	UL/cUL
NX25-120NF-PX	120V	Foot	NPT	PX	-	-	-	UL/cUL
NX25-120NF-AA	120V	Foot	NPT	AA	1" X 18'	1" Ultra Hi-Flow Automatic	-	UL/cUL
NX25-240NF-PX	240V	Foot	NPT	PX	-	-	-	UL/cUL
NX25-240NB-PX	240V	2" NPT Bung	NPT	PX	-	-	-	UL/cUL
NX25-240BF-PX	240V	Foot	BSP	PX	-	-	-	ATEX IECEx
NX25-240BB-PX	240V	2" BSP Bung	BSP	PX	-	-	-	ATEX IECEx

**Available Accessory Packages**

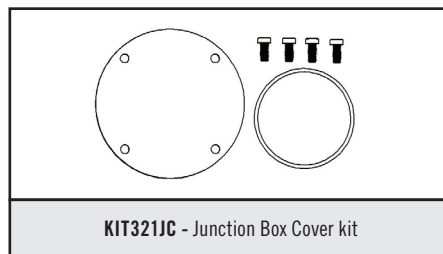
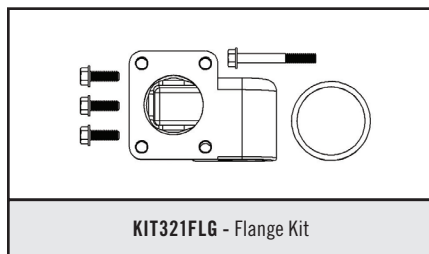
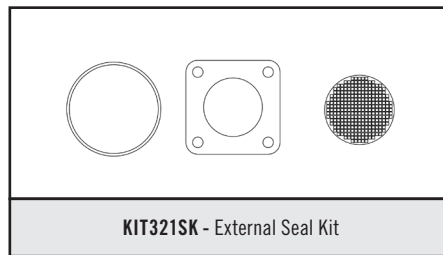
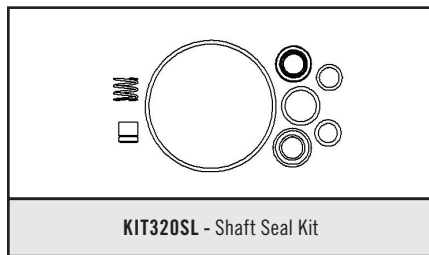
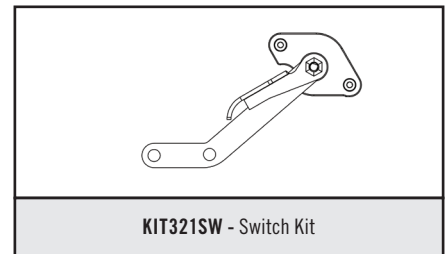
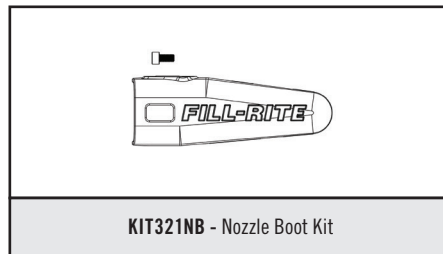
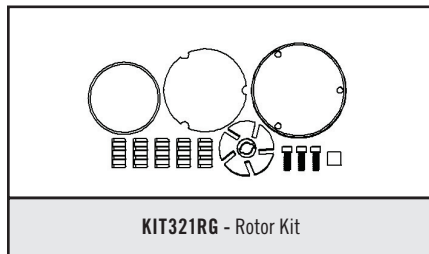
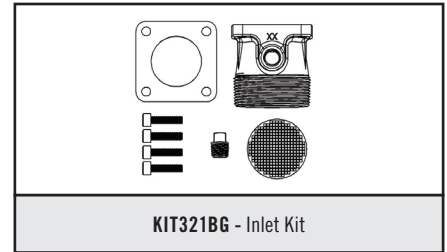
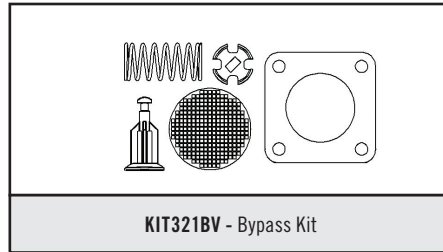
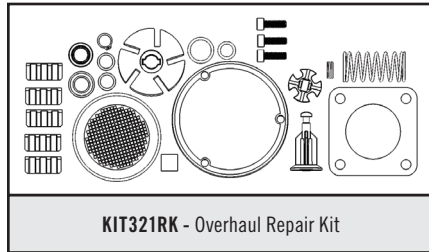
		Accessory Package						
Accessory Type	Accessory Item	PX	AA	AB	AC	AG	AH	AJ
Pump Only	No Accessories	X						
Hose	¾" X 12' Static Wire Hose					X	X	
	1" X 18' Static Wire Hose		X	X	X			X
Meter	901C Mechanical Meter, 1" NPT						X	X
	900CD Digital Meter, 1" NPT			X				
	900CDP Digital Meter, 1" NPT				X			
Nozzle	¾" Auto Unleaded Nozzle, Red Cover					X	X	
	1" Ultra High-Flow Nozzle, Red Cover		X	X	X			X

**Replacement Parts Information**

For repairs or routine maintenance, Fill-Rite offers the parts you need. The following parts diagram and list covers all applicable parts for your Fill-Rite product. These parts can be obtained through any authorized Fill-Rite dealer. Be sure to use only genuine Fill-Rite replacement parts for your service and maintenance needs. For a list of authorized dealers, please visit [fillrite.com](http://fillrite.com).

**WARNING**

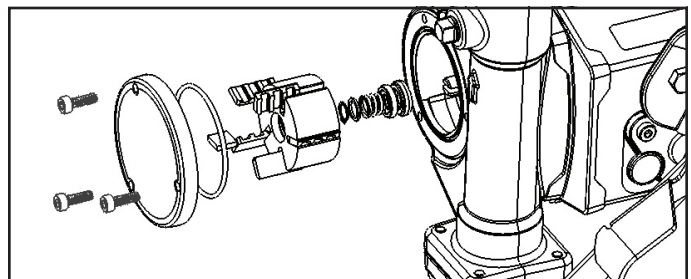
DO NOT open or attempt to repair the motor on your NX25-120 & NX25-240 series pump. Opening the motor case can compromise the integrity of the Explosion Proof construction and will void any existing warranty and certification (UL listing). Please refer to the **Warranty Policy** located on page 2.



**Servicing Rotor, Vanes, and Shaft Seals**

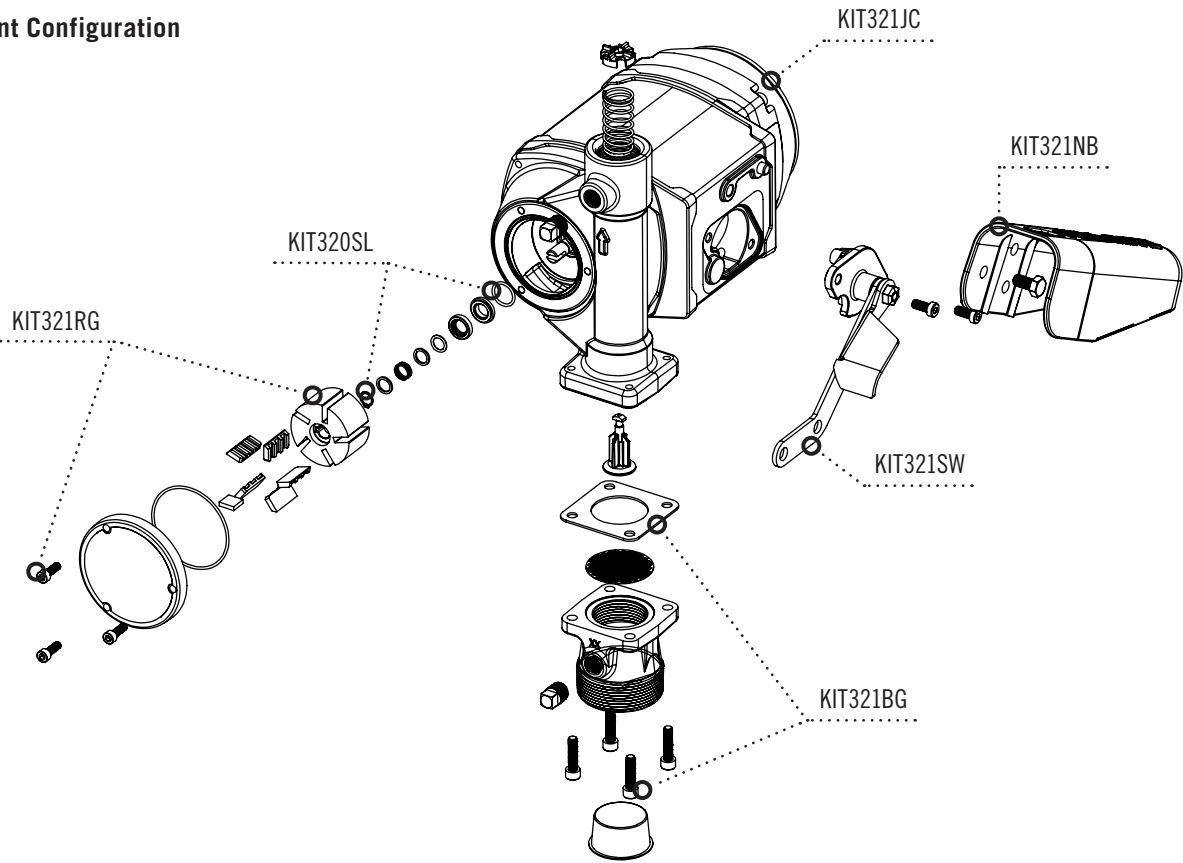
The rotor, vanes, and shaft seals are inside the pump housing, and are accessed through the rotor cover located on the face of the pump. It is held in place with three 4mm hex drive attaching bolts. You can access the rotor and vanes for inspection and cleaning, but **DO NOT** attempt to remove the shaft seals without a new seal kit to install.

Always inspect the rotor cover seal and mating surface (groove) for nicks or damage prior to reassembly. Be certain o-ring is not pinched to prevent leakage. Torque the attaching hardware to 44 in-lbs.

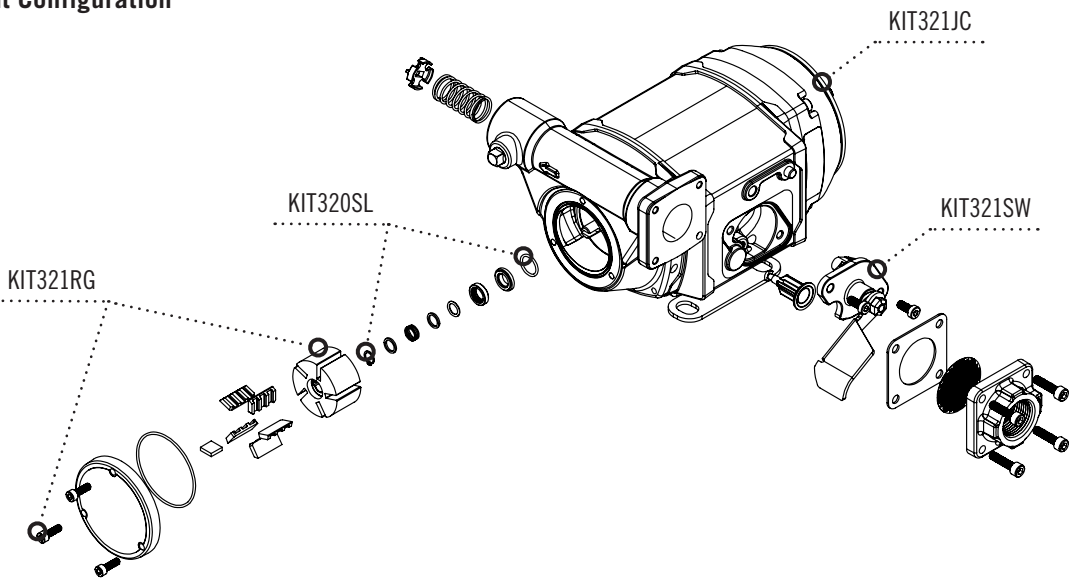


**NX25-120 & NX25-240 Exploded View**

**Bung Mount Configuration**



**Foot Mount Configuration**



**Troubleshooting**



Disconnect all power prior to performing any service or maintenance. Failure to disconnect the power may cause electrical shock, or unexpected starting of the motor, resulting in injury or death.



DO NOT open or attempt to repair the motor on your NX25-120 or NX25-240 series pump. Opening the motor case can compromise the integrity of the Explosion Proof construction and will void any existing warranty and certification (UL listing). **Please refer to the *Warranty Policy* located on page 2.**

This Troubleshooting Guide provides basic diagnostic assistance. If you have further questions, contact us at 1 (800) 720-5192 (M-F 8 AM–5 PM ET), or at [fillrite.com](http://fillrite.com).

Symptom	Cause	Solution
Pump will not prime	1. Suction line problem	Check suction line for leaks or restrictions; it may be too small in diameter, too long, or not air-tight
	2. Vanes sticking	Check vanes for nicks, damage, obstructions, or excess wear; replace as necessary
	3. Excessive rotor, vane, rotor cover, or housing wear	Inspect rotor, vanes, rotor cover, and housing for excess wear; replace as necessary
	4. Inlet / Outlet blocked	Check pump, hose, nozzle, and filter / strainer for blockage
	5. Excessive vertical or horizontal inlet plumbing	Reduce vertical or horizontal distance from pump to liquid
	6. Bypass valve stuck	Open valve, remove debris
Low capacity	1. Excessive dirt in screen	Remove and clean screen
	2. Suction line problem	Check suction line for leaks or restrictions; it may be too small in diameter, too long, not air-tight, or too low vertically
	3. Excessive rotor, vane, rotor cover, or housing wear	Inspect rotor, vanes, rotor cover, and housing for excess wear; replace as necessary
	4. Hose or nozzle damage	Replace hose or nozzle
	5. Low fluid level	Refill tank
	6. Clogged outlet filter	Replace filter
Pump runs slowly	1. Pump in bypass	Normal operation; pump naturally reduces speed in bypass mode
	2. Vanes sticking	Check vanes for nicks, damage, obstructions, or excess wear; replace as necessary
	<b>3. Motor problem*</b>	<b>Refer to <i>Warranty Policy</i></b>
	4. Excessive outlet restrictions	Reduce outlet restrictions (e.g. use shorter hose, remove swivel)
Motor stalls / breaker trips	1. Short in wiring	Inspect electrical wiring for shorts and replace as necessary
	2. Excess rotor or vane wear	Check vanes for nicks, damage, obstructions, or excess wear; replace as necessary
	3. Pump rotor lock-up*	Clean and inspect rotor and vanes; replace as necessary
	4. Debris in pump cavity	Clean debris from pump cavity

**Bold text** indicates repairs that are not serviceable by the owner; **please refer to our *Warranty Policy* on page 2 for further instructions.**

\*This condition will shut the motor off.

**Intelligent Tones**

Your nextec pump features a self-diagnostic system that will aid you in troubleshooting should the need arise. The pump will emit a series of tones; note the order and number of high and low pitched tones to determine the fault condition.

Depending on the condition the pump senses, it will generate either a **3-tone code**, or a **4-tone code**:

- **3-Tone codes** indicate an application fault; something dealing with the installation of the pump, like a priming or supply voltage concern.
- **4-Tone codes** indicate a pump fault; a condition outside the operating parameters of the pump, like an over-temperature condition, or something dealing with the pumps internal electronics.

Refer to the table below to determine which condition your pump is detecting, and how to resolve it. In the chart below, arrows pointing up (↑) indicate high tones, arrows pointing down (↓) indicate low tones. Conditions listed in **BOLD** are not field serviceable, and require the pump to be returned to the manufacturer.

**3-Tone Faults** (Application / Installation faults)

Tones	Condition	Solution
↑ ↓ ↓	Low input voltage (auto shut-off)	Check input wiring gauge, length, and connections
↑ ↓ ↑	High input voltage (auto shut-off)	Check incoming voltage
↓ ↑ ↑	Locked rotor (auto shut-off)	Turn switch off and inspect rotor and vanes*
↓ ↑ ↓	Priming / Suction / Lift failure	Check for leaks in suction tube, inlet connections, inside tank plumbing restrictions, excessive vertical suction lift, empty tank

**4-Tone Faults** (Hardware faults)

Tones	Condition	Solution
↓ ↑ ↑ ↑	<b>Hardware fault (auto shut-off)</b>	<b>Troubleshoot as described below**</b>
↓ ↑ ↓ ↓	Hardware over temperature (auto shut-off)	Turn switch off and allow pump to cool*
↓ ↓ ↑ ↑	Motor over temperature (auto shut-off)	Turn switch off and allow pump to cool*
↓ ↓ ↑ ↓	<b>Motor overvoltage (auto shut-off)</b>	<b>Troubleshoot as described below**</b>
↓ ↓ ↓ ↑	<b>Motor undervoltage(auto shut-off)</b>	<b>Troubleshoot as described below**</b>

\*This condition will shut the motor off. To restart the motor, cycle the switch off, then back on, or cycle power to motor.

\*\* Prior to returning pump to place of purchase, perform this procedure: cycle the switch off and disconnect power for at least one minute. Reconnect power, and cycle the switch back on. Verify proper pump operation. If this procedure does not restart the pump, or if you have additional questions, contact Technical Support at 1 (800) 720-5192.

**ATTENTION!**

The following information is for the NX25-240B series pumps and meters (designed for use outside the United States and Canada)! Refer to the information label applied to your pump to see if it is applicable.

**Materials of Construction**

Materials of construction of the external surface of the unit are: plated steel painted cast iron, plated powdered metal, painted aluminum, thermo-plastic, anodized aluminum.

Materials of construction of the wetted parts are: cast iron, coated steel, stainless steel, fluorocarbon, nitrile, cork, powdered metal, thermo-set plastic, thermo-plastic, ceramic.

**Repair and Maintenance**

Contact the place of purchase for warranty repair and maintenance.

**Specific Conditions of Use**

- Consult the manufacturer for information on the dimensions of the flameproof joints if necessary.
- The special fasteners used a securing bolts for the end bell are made of Class 12.9 type fasteners. The special fasteners used for the cover plate attachment are made of Class 10.9 type fasteners.

**Installation**

Pump must be installed in compliance with EN 60079-14 or IEC 60079-14, as applicable.

Certificates for Compliance of Safety have been obtained from the following agencies for products sold outside the US and Canada. Please refer to the tag on your particular product for its particular compliance data.

**The following standards were used to show compliance in the European Union:**

EN IEC 60079-0:2018, Ed 7 "Explosive atmospheres – Part 0: Equipment – General requirements."

EN 60079-1:2014, Ed 7 "Explosive atmospheres – Part 1: Equipment protection by flameproof enclosures "d"."

EN ISO 80079-36:2016, Ed 1 "Explosive atmospheres – Part 36: Non-electrical equipment for explosive atmospheres – Basic method and requirements."

EN ISO 80079-37:2016, Ed 1 "Explosive atmospheres – Part 37: Non-electrical equipment for explosive atmospheres – Non electrical type of protection constructional safety "c", control of ignition source "b", liquid immersion "k"."

Directive 2014/34/EU – "Equipment and protective systems intended for use in potentially explosive atmospheres."

Directive 2011/65/EU – "Restrictions of the use of certain hazardous substances in electrical and electronic equipment."

2006/42/EC - "Machinery."

ISO 12100:2010 - "Safety of machinery - General principles for design - Risk assessment and risk reduction."

BS EN 809:1998+A1:2009 - "Pumps and pump units for liquids. Common safety requirements."

**The following standards were used to show compliance for IECEx certification:**

IEC 60079-0:2017, Ed 7

IEC 60079-1:2014, Ed 7

**Motor Plate Information**

MODEL: NX25-240B

VOLT: 230AC

HP: 1/3

1.8 AMP

CONTINUOUS DUTY

RPM:3500

OPERATING TEMP T6

-40° C ≤ Ta ≤ +40° C

INS:B

SEE INSTALLATION DOCUMENT INSTRUCTION

CE2809

SERIAL # AND MANUFACTURING DATE

Fill-Rite Trademark

8825 Aviation Drive

Fort Wayne, IN 46809 USA



II 2 G  
Ex db IIA T6 Gb  
UL 21 ATEX 2262X Rev. 0.  
IECEx 21.0031X ISSUE 0.  
Ex db IIA T6 Gb



# FILL-RITE®

A GORMAN-RUPP COMPANY

**Fill-Rite Company**  
8825 Aviation Drive  
Fort Wayne, Indiana 46809 USA

T 1 (800) 720-5192

1 (260) 747-7524

F 1 (800) 866-4681



fillrite.com | soteracom | gormanrupp.com





# FILL-RITE®

## POMPES DE TRANSFERT DE CARBURANT À CA SÉRIES NX25-120 ET NX25-240

Manuel d'installation et d'utilisation



MADE IN   
USA  
WITH GLOBAL MATERIALS

  
GORMAN-RUPP  
COMPANY

**Table of Contents**

Caractéristiques exclusives de la pompe nextec..... 3  
 Information sur la sécurité ..... 3  
 Sécurité du pompage de carburant..... 4  
 Installation ..... 4  
 Pose de la gaine de pistolet ..... 4  
 Pose du pied de pompe..... 4  
 Dispositif anti-siphonnage ..... 5  
 Montage sur la citerne..... 5  
 Raccordement de l'alimentation CA..... 6  
 Sécurité de fonctionnement ..... 6  
 Mode d'emploi..... 7  
 Cadenassage..... 7  
 Données dimensionnelles ..... 8  
 Information technique ..... 9  
 Entretien de la soupape de dérivation ..... 10  
 Information sur les modèles ..... 11  
 Ensembles d'accessoires..... 11  
 Trousses et pièces ..... 12  
 Entretien du rotor des palettes et des joints d'arbre..... 12  
 Vue éclatée ..... 13  
 Dépannage ..... 14  
 Avertisseur Intelligent Tones..... 15

**Merci!**

Merci pour votre loyauté envers la marque de pompes de transfert de carburant Fill-Rite®. Votre sécurité est importante, c'est pourquoi nous vous invitons à lire et à bien comprendre les instructions figurant dans ce manuel. En outre, veuillez conserver ce manuel pour toute référence ultérieure et y consigner le modèle, le numéro de série et la date d'achat de la pompe de transfert de carburant. Protégez-vous et tous ceux qui vous entourent en respectant toutes les consignes de sécurité, ainsi que tous les symboles Danger, Avertissement et Attention. Veuillez enregistrer ce produit Fill-Rite® à l'adresse [info.fillrite.com/product\\_registration](http://info.fillrite.com/product_registration).

**POLITIQUE DE RETOUR - IMPORTANT**

**Veuillez ne pas retourner ce produit au magasin.** Pour toute question sur la garantie et les produits, veuillez communiquer avec le service à la clientèle Tuthill au 1-800-634-2695 (lun-ven, 8h00-18h00 HNE/HAE).

N° DE MODÈLE	
N° DE SÉRIE	
DATE D'ACHAT :	



**Política de garantía limitada**

Fill-Rite garantit que les marchandises fabriquées sont exemptes de défauts de pièces et de main-d'œuvre. Voir les détails spécifiques de la garantie pour chaque produit à [fillrite.com](http://fillrite.com).

### Caractéristiques exclusives de la pompe nextec

La pompe de transfert de carburant nextec se comporte différemment des pompes non intelligentes au démarrage et durant la marche. Gardez les points suivants à l'esprit lorsque vous commencerez à utiliser votre pompe intelligente nextec et que vous apprendrez à vous en servir.

- **Au démarrage**, il se peut que la pompe monte brièvement en régime puis redescende jusqu'à une sorte de ralenti, alors qu'elle s'adapte à la charge détectée. **C'est un comportement normal** et la pompe reste à bas régime jusqu'à ce qu'on serre la gâchette du pistolet de distribution pour faire circuler le liquide.
- Lorsqu'on serre la gâchette du pistolet pour commencer à pomper, le microprocesseur dans la pompe détecte le changement et augmente le régime de la pompe en fonction de la charge.

**Il n'est pas rare que le régime de la pompe varie durant la marche.** Si les paramètres de fonctionnement changent, par exemple lorsqu'on augmente ou qu'on diminue le débit à travers le pistolet, l'électronique de commande du moteur détecte ces changements et ajuste le régime du moteur de façon à obtenir un rendement optimal.

- Si la pompe détecte une situation qui est en dehors des paramètres normaux d'exploitation (faible tension d'entrée, par exemple), elle produit une série de tonalités pour signaler le problème et aider à le diagnostiquer. Pour plus de détails sur cette fonctionnalité, voir la section « Avertisseur Intelligent Tones » du Guide de dépannage à la page 14.
- La pompe nextec est à **service continu**, à savoir qu'elle n'a pas besoin d'être mise à l'arrêt et au « repos » après une durée d'utilisation particulière. Cela permet d'effectuer du ravitaillement d'un réservoir à l'autre sans devoir mettre la pompe à l'arrêt. La commande intelligente nextec prévoit toutefois une mise à l'arrêt automatique de la pompe au bout de 20 minutes en mode de dérivation (sans distribution de liquide). Cette fonction permet d'éviter une consommation électrique inutile et une usure excessive de la pompe, au cas où on oublierait de la mettre à l'arrêt. Si la pompe s'éteint d'elle-même sous ces conditions, il suffit de mettre l'interrupteur d'alimentation en position d'arrêt puis de marche pour redémarrer la pompe.
- La commande intelligente nextec met également le moteur à l'arrêt si :
  - ▶ La température de la pompe dépasse les valeurs de seuil
  - ▶ La tension d'entrée est en dehors des valeurs de seuil
  - ▶ Le rotor est bloqué

### À propos de ce manuel

Du concept initial jusqu'à la fabrication finale, votre pompe Fill-Rite est construite pour vous offrir des années d'utilisation sans problème. Pour assurer ces résultats et pour écarter les risques de blessure ou de mort, il est impératif que vous lisiez entièrement ce manuel avant de tenter d'installer ou de faire fonctionner votre nouvelle pompe. Familiarisez-vous avec les termes utilisés et les schémas et accordez une attention particulière aux sections mises en évidence comme suit :

<b>⚠ DANGER</b>	Souligne des circonstances qui <b>entraîneront</b> des blessures corporelles, voire la mort, si les instructions ne sont suivies comme il se doit. Des dommages mécaniques sont également possibles.
<b>⚠ AVERTISSEMENT</b>	Souligne des circonstances qui peuvent entraîner des blessures corporelles, voire la mort, si les instructions ne sont suivies comme il se doit. Des dommages mécaniques sont également possibles.
<b>⚠ ATTENTION</b>	Mise en garde qui doit être observée pour éviter d'endommager le matériel.
<b>AVIS</b>	Ces encadrés contiennent des informations qui illustrent un point susceptible de faire gagner du temps ou essentiel au bon fonctionnement ou qui clarifient une étape.

Chez Fill-Rite, votre satisfaction avec nos produits est primordiale pour nous. Si vous avez des questions ou avez besoin d'aide avec votre produit, veuillez nous contacter au 1 (800) 720-5192 ou par e-mail à [FillRiteTech@fillrite.com](mailto:FillRiteTech@fillrite.com) (L-V, 8h00 - 17h00 HE).

### Informations sur la sécurité

<b>⚠ DANGER</b>	Le câblage électrique doit être exécuté avec toutes les précautions de rigueur et en conformité avec le code de l'électricité en vigueur, NEC/ANSI/NFPA 70, NFPA 30 et NFPA 30A, comme il se doit en fonction de l'utilisation prévue de la pompe. Utiliser des conduits rigides filetés, des raccords étanches et un joint conducteur s'il y a lieu. La pompe doit être correctement reliée à la terre. Si l'installation s'écarte des instructions du présent manuel, elle devra être confiée à un électricien agréé. Une installation ou utilisation incorrecte de ce produit entraînera de blessures corporelles graves ou la mort!
<b>⚠ DANGER</b>	Pour assurer la sécurité et le bon fonctionnement du matériel, il est essentiel de lire et de respecter toutes les mises en garde et précautions suivantes. Le non-respect des instructions ci-dessous ou une installation ou utilisation incorrecte de ce produit entraîneront des blessures corporelles graves ou la mort! <ul style="list-style-type: none"> <li>• <b>NE JAMAIS</b> fumer à proximité de la pompe ni utiliser la pompe à proximité de flammes nues lors du pompage d'un liquide inflammable! Cela peut provoquer un incendie!</li> <li>• Ne pas utiliser ce produit pour transférer des liquides dans un quelconque type d'avion.</li> </ul>
<b>⚠ DANGER</b>	Pour minimiser l'accumulation d'électricité statique et le risque d'explosion, utiliser uniquement un tuyau flexible à conducteur antistatique pour le pompage de liquides inflammables et maintenir le pistolet de distribution en contact avec le récipient à remplir durant le remplissage. Les étincelles et décharge d'électricité statique provoquent des explosions.
<b>⚠ AVERTISSEMENT</b>	L'étanchéité des joints et raccords de tuyauterie filetés doit être assurée au moyen d'une pâte ou d'un ruban d'étanchéité adapté afin de minimiser les risques de fuite. Les fuites de carburant présentent un risque d'incendie et d'explosion.
<b>⚠ ATTENTION</b>	Le moteur de la pompe est équipé d'une protection électronique contre la surcharge thermique; en cas de surchauffe, le moteur s'arrête. Une fois que le moteur a refroidi, il est possible de couper et rétablir l'alimentation ou l'interrupteur pour réinitialiser cette fonction de sécurité et poursuivre l'utilisation. La pompe ne redémarre pas avant d'avoir correctement refroidi.

**ATTENTION**

Ce produit ne convient pas à une utilisation avec des liquides prévus pour la consommation humaine ni avec des liquides contenant de l'eau. Ses matériaux de fabrication ne sont pas de qualité alimentaire. L'eau provoque la rouille et la corrosion du corps de pompe. Si de l'eau pénètre dans la pompe, la rincer immédiatement avec un produit pétrolier (essence, diesel, huile légère, etc.) pour éliminer tout eau résiduelle.

**AVIS**

Prévoir un filtre Fill-Rite à la sortie de la pompe pour éviter de transférer toute matière étrangère vers le réservoir de carburant. Les matières étrangères peuvent endommager le matériel ravitaillé.

**Sécurité du pompage de carburant**

**DANGER**

Les vapeurs accumulées durant le pompage de carburant créent une atmosphère explosive. Il est **IMPÉRATIF** que toutes sources possibles d'inflammation soient déplacées jusqu'à une distance sécuritaire ou éteintes. Les sources d'inflammation sont notamment (mais sans s'y limiter) les flammes nues, les cigarettes, les décharges d'électricité statique ou les contacts électriques susceptibles de produire une étincelle. L'inflammation de vapeurs explosives provoque une explosion, un incendie et des blessures graves, voire mortelles.

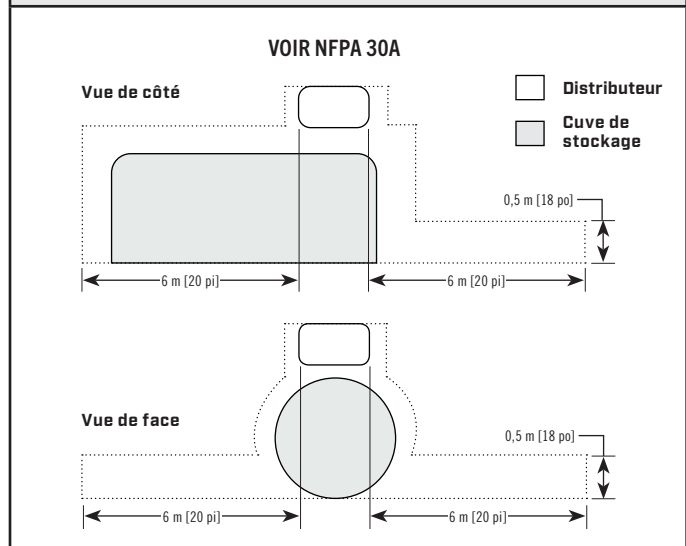
Durant le remplissage d'un réservoir de carburant, l'air qu'il contient est refoulé par l'évent du réservoir sous forme de vapeurs qui, si elles s'accumulent, créent une atmosphère explosive. Pour écarter le risque d'explosion des vapeurs accumulées, il est impératif de maintenir les possibles sources d'étincelles ou d'inflammation à des distances sécuritaires des vapeurs de carburant. Le schéma ci-joint montre les distances minimales de sécurité entre la citerne de stockage, le distributeur et la source d'alimentation.

**AVERTISSEMENT**

Une étincelle d'électricité statique peut se produire lors du remplissage d'un récipient portable posé sur une doublure de plateforme de camionnette ou sur tout tapis de sol ou moquette de véhicule. Cette étincelle peut produire une inflammation explosive des vapeurs d'essence et provoquer des **BLESSURES GRAVES** ou la **MORT**.

- **DANGER D'EXPLOSION PAR ÉTINCELLE D'ÉLECTRICITÉ STATIQUE.**
- **NE JAMAIS** remplir des récipients portables posés dans ou sur un véhicule.
- **TOUJOURS POSER LES RÉCIPIENTS SUR LE SOL.**
- Maintenir le pistolet au contact du récipient durant le remplissage.

**DISTANCES MINIMALES DE SÉCURITÉ POUR UNE CITERNE DE SURFACE**



**Installation**

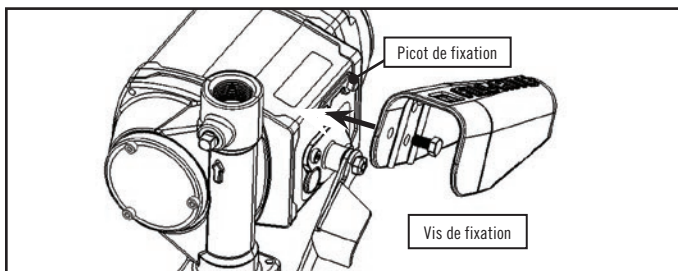
Les pompes NX25 120 et NX25-240 sont conçues pour offrir plusieurs configurations de montage différentes, soit sur bonde, soit sur socle, telles que sur une citerne plate-forme. Indépendamment du type de montage, toutes les citernes doivent être correctement aérées.

**ATTENTION**

Ne pas utiliser de clapets antiretour ou clapets à pied à moins qu'ils comportent une soupape de surpression adaptée intégrée. On notera que les clapets antiretour réduisent le débit.

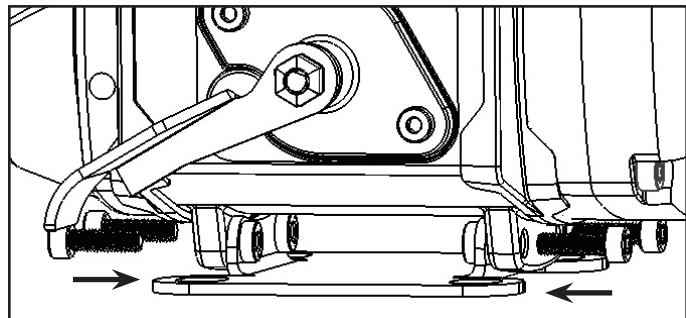
**Pose de la gaine de pistolet**

Monter la gaine de pistolet à l'aide de la vis de fixation fournie. On notera que la vis se place dans le trou le plus proche de l'ouverture du pistolet et que la gaine se place ensuite de telle manière que le picot sur la surface de montage de la pompe s'engage dans le deuxième trou supérieur de la gaine. Cela assure le bon alignement du pistolet lorsqu'il est placé dans la gaine.



**Montage sur socle**

Le socle de fixation est boulonné à la base de la pompe à l'aide des vis à tête six pans creux fournies. Monter le socle avec les brides de boulonnage à l'intérieur des pattes de fixation de la pompe comme sur l'illustration. Serrer à un couple de 5,6 Nm (50 po-lb) avec une clé hexagonale de 4 mm.



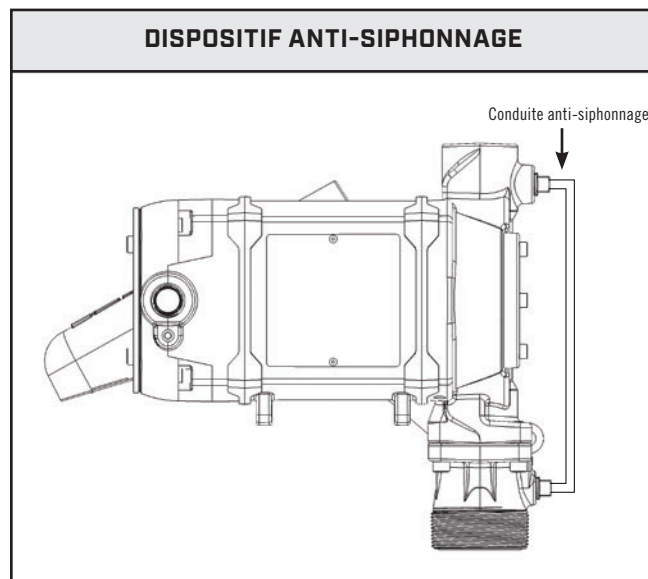
**Dispositif anti-siphonnage**

Les pompes NX25-120 et NX25-240 sont fournies prêtes pour la pose d'un tube anti-siphonnage de retour vers la citerne. Le dispositif anti-siphonnage (ou casse-vide) joue un rôle important parce qu'il permet de casser un siphonnage de liquide s'il y a un pistolet ouvert ou un tuyau qui fuit en dessous du niveau de liquide de la citerne alors que la pompe est à l'arrêt. Fill-Rite recommande d'installer la trousse anti-siphonnage n° KIT321ASN entre la sortie de pompe et l'espace de vapeur de la citerne.

Cette illustration montre où installer le tube pour qu'il débouche dans l'espace de vapeur au sommet de la citerne. Le tube doit déboucher dans l'espace de vapeur; s'il débouche au niveau du liquide dans la citerne, il n'empêche pas le siphonnage. Il est très important que la tubulure ne comporte pas de piège à liquide; elle doit avoir une pente continue vers le bas de la pompe jusqu'à la citerne et peut être raccordée à toute ouverture au sommet de la citerne si l'adaptateur de citerne n'est pas utilisé. Utiliser les raccords de réduction qui conviennent pour obtenir un ajustement étanche.

L'ouverture de 1/4 NPT dans le côté de l'adaptateur de citerne débouche dans l'espace de vapeur de la citerne. Effectuer des raccordements étanches à l'aide d'une pâte d'étanchéité adaptée entre l'adaptateur et la sortie anti-siphonnage au moyen d'un tube métallique d'au moins 1/4 po qui est compatible avec le liquide à pomper. Si l'adaptateur de citerne anti-siphonnage est utilisé et que l'ouverture de 1/4 NPT n'est pas utilisée pour le tube, laisser le bouchon d'usine en place.

Fill-Rite propose une trousse anti-siphonnage n° KIT321ASN (disponible auprès des distributeurs Fill-Rite). Cette trousse contient les raccords et le tube nécessaires pour effectuer l'installation illustrée dans cette section. **REMARQUE** : Cette trousse est **UNIQUEMENT** compatible avec les installations sur dessus de citerne.



**Montage sur la citerne**

Les pompes NX25-120 et NX25-240 se montent sur la bonde d'une citerne au moyen d'un adaptateur de citerne qui est boulonné à la bride d'admission. Le tube d'aspiration se visse dans le bas de l'adaptateur de citerne et doit être coupé à une longueur qui le place à au moins 75 mm (3 po) du fond de la citerne. La citerne doit être équipée d'un évent d'aération.

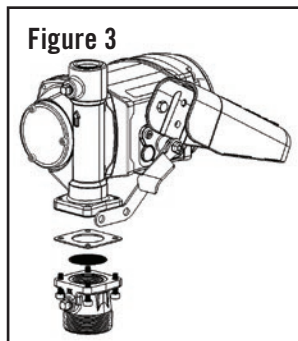
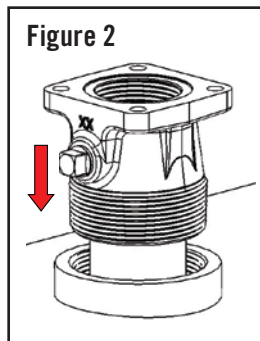
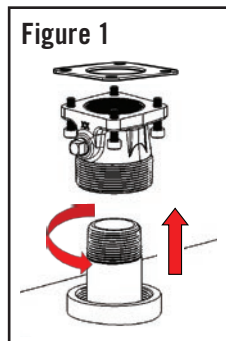
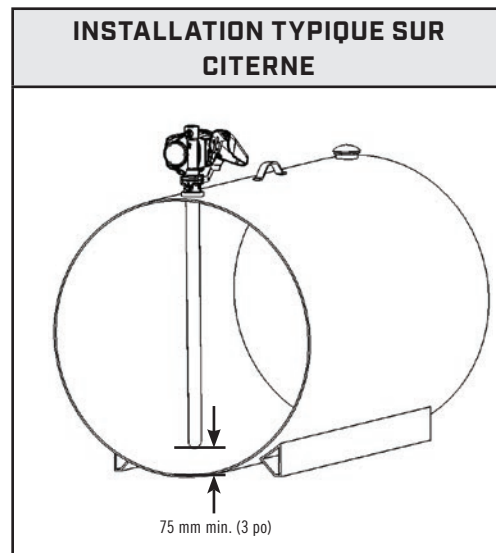
**Matériaux**

- Tuyau acier de 1-1/4 po coupé à une longueur qui le place à au moins 75 mm (3 po) du fond du réservoir lorsqu'il est vissé dans l'adaptateur de citerne et que l'adaptateur est vissé dans le raccord de bonde sur le dessus de la citerne.
- Pâte d'étanchéité pour filetage de tuyau adapté à l'utilisation considérée.

**Installation**

1. Visser le tuyau de 1-1/4 po dans l'adaptateur de citerne. Assurer l'étanchéité aux liquides du filetage à l'aide d'une pâte d'étanchéité adaptée (Figure 1).
2. Visser l'adaptateur de citerne (avec le tube d'aspiration) dans la bonde de la citerne en appliquant la pâte d'étanchéité qui convient pour éviter toute fuite de liquide (Figure 2).
3. Monter la pompe sur l'adaptateur en veillant à poser le joint et le tamis comme sur l'illustration (Figure 3).

**REMARQUE** : Les adaptateurs de citerne sont fournis avec un filetage NPT ou BSP, en fonction du modèle acheté (voir les données spécifiques aux modèles à la page 11).



**AVIS**

S'assurer que le tamis est correctement en place dans le renforcement de l'adaptateur de citerne avant de poser le joint et d'attacher l'adaptateur de citerne à la pompe. Un mauvais placement du tamis peut entraîner des fuites de liquide.

**Câblage électrique**

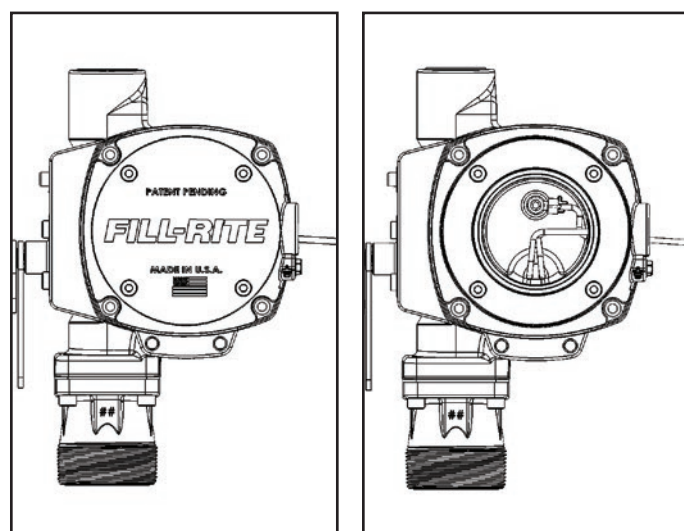
**⚠ AVERTISSEMENT**

Le câblage électrique doit être exécuté **UNIQUEMENT** par un électricien qualifié en conformité avec le code de l'électricité en vigueur, NEC/ANSI/NFPA-70, NFPA 30 et NFPA 30A, comme il se doit en fonction de l'utilisation prévue de la pompe. Utiliser des conduits rigides filetés, des raccords étanches et du joint pour conducteurs. La pompe doit être correctement reliée à la terre. Une installation ou une utilisation incorrecte de cette pompe peut entraîner des blessures corporelles graves ou la mort!

**⚠ ATTENTION**

La pompe doit être utilisée sous sa tension nominale, indiquée sur la plaque signalétique. L'alimentation doit être fournie à la pompe par l'intermédiaire d'un disjoncteur dédié de 20 A. Aucun autre appareil ne doit être alimenté par ce circuit électrique. Le câblage doit être de section suffisante pour transporter le courant nécessaire à la pompe. La chute de tension varie en fonction de la distance à la pompe et de la section du câble; voir les compensations de chute de tension dans le NEC (National Electric Code) ou dans les codes locaux et vérifier que le câble utilisé est de section correcte pour l'application.

**Procédure de câblage**



1. Retirer le couvercle de la boîte de jonction électrique et redresser les conducteurs afin que les extrémités dénudées soient accessibles à l'extérieur de la boîte de jonction.
2. Raccorder les conducteurs de la pompe aux conduites d'alimentation électrique conformément au schéma. Veiller à bien isoler les raccordements au moyen de capuchons de connexion ou autres connecteurs adaptés. On notera que le conducteur de mise à la terre doit **IMPÉRATIVEMENT** être raccordé. Le raccord de conduit a un filetage de 1/2 po NPT.
3. Replier les conducteurs dans la boîte de jonction et remettre le couvercle en place en s'assurant que le joint est bien en place. Serrer les vis à un couple de 5 Nm (44 po-lb) avec une clé hexagonale de 4 mm.

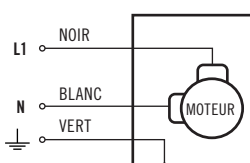
**⚠ AVERTISSEMENT**

Les pompes NX25-120 et NX25-240 ne sont **PAS** à deux tensions. Câbler en fonction de la tension indiquée sur la plaque du moteur.

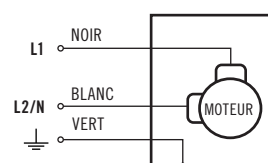
**AVIS**

S'assurer que le joint du couvercle est bien en place et que les vis serrent le couvercle sur la boîte de jonction. Il ne doit y avoir aucun espace entre la boîte de jonction et son couvercle.

**SCHEMA DE CÂBLAGE 120 V**



**SCHEMA DE CÂBLAGE 240 V**



**Sécurité de fonctionnement**

**⚠ DANGER**

**NE PAS** utiliser la pompe dans des espaces clos pour pomper des liquides dangereux ou explosifs. La zone de pompage doit être bien aérée. Les vapeurs concentrées dans un espace clos sont nocives et fortement explosives!

**⚠ AVERTISSEMENT**

**NE JAMAIS** débrancher le câblage électrique de la pompe alors que son interrupteur est en position de marche ou qu'elle est raccordée à une source d'alimentation électrique. **TOUJOURS** mettre la pompe à l'arrêt et couper la source d'alimentation **AVANT** de débrancher le câblage d'électrique de la pompe. Des courts-circuits, des étincelles ou un démarrage inattendu peuvent se produire.

**⚠ AVERTISSEMENT**

Faire preuve de précaution lors de l'utilisation de la pompe. Les flexibles peuvent présenter un risque de trébuchement; faire preuve de précaution en se déplaçant au voisinage des flexibles pour éviter tout trébuchement ou enchevêtrement.

**⚠ AVERTISSEMENT**

La pompe peut devenir chaude après une utilisation prolongée. Faire preuve de précaution avant de toucher la pompe après une utilisation prolongée.

**Mode d'emploi**

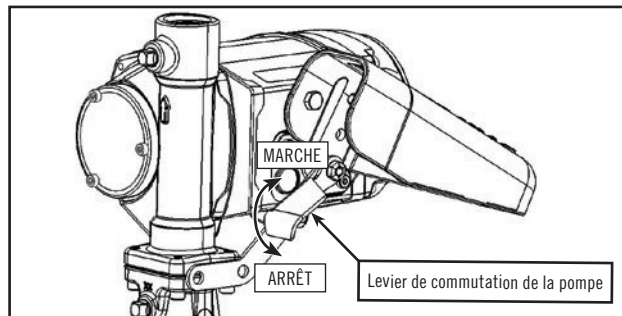
**AVIS**

Le moteur est sous tension en permanence lorsqu'il est raccordé à une source d'alimentation électrique. L'interrupteur ne met pas le moteur sous tension et hors tension. Il peut toujours y avoir une tension élevée à l'intérieur de la pompe une fois qu'elle a été mise à l'arrêt.

**ATTENTION**

Toujours garder le pistolet au contact du récipient à remplir durant le remplissage afin de minimiser le risque d'accumulation d'électricité statique.

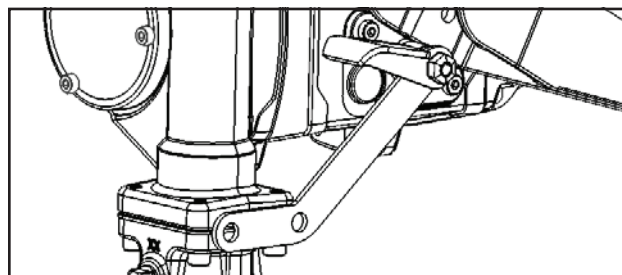
1. Sortir le pistolet de distribution de la gaine de pistolet.
2. Placer le levier de commutation en position « MARCHÉ » (haute) pour démarrer le moteur. La pompe devrait démarrer et se stabiliser à un régime de ralenti.
3. Introduire le pistolet de distribution dans le contenant à remplir.
4. Actionner le pistolet pour distribuer le liquide; relâcher le pistolet lorsque la quantité souhaitée de liquide a été distribuée.
5. Ramener le levier de commutation en position « ARRÊT » (basse) pour arrêter le moteur.
6. Retirer le pistolet de distribution du récipient rempli et le remettre en place dans la gaine de pistolet.



**Cadenassage**

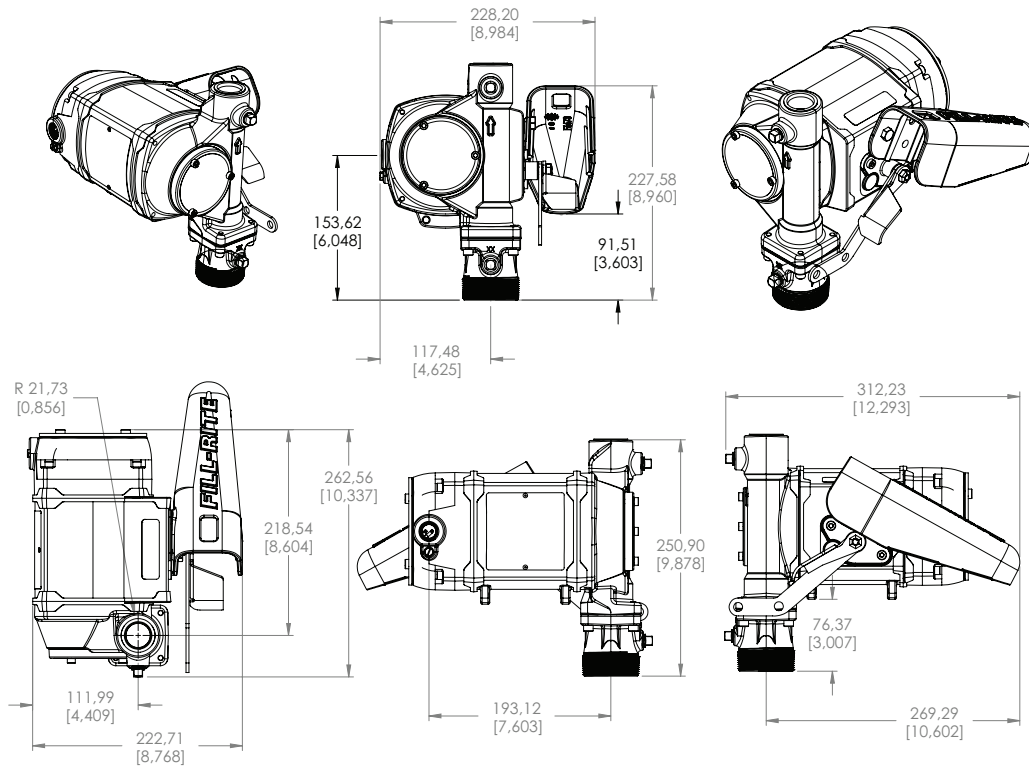
Le pistolet de la pompe Fill-Rite peut être cadenassé à la pompe pour plus de sécurité. Une fois la pompe mise à l'arrêt et le pistolet en position rangée, un cadenas peut être placé à travers la patte de verrouillage et l'ouverture de la poignée du pistolet. Cette configuration empêche de pouvoir sortir le pistolet de la gaine.

La patte de verrouillage se trouve sur le côté pistolet de la pompe et peut être pivotée pour fonctionner avec le pistolet indiqué sur l'étiquette de fût de la pompe NX25-120 ou NX25-240. Utiliser la position et le trou qui conviennent pour bien verrouiller le pistolet à la pompe série NX25-120 ou NX25-240.

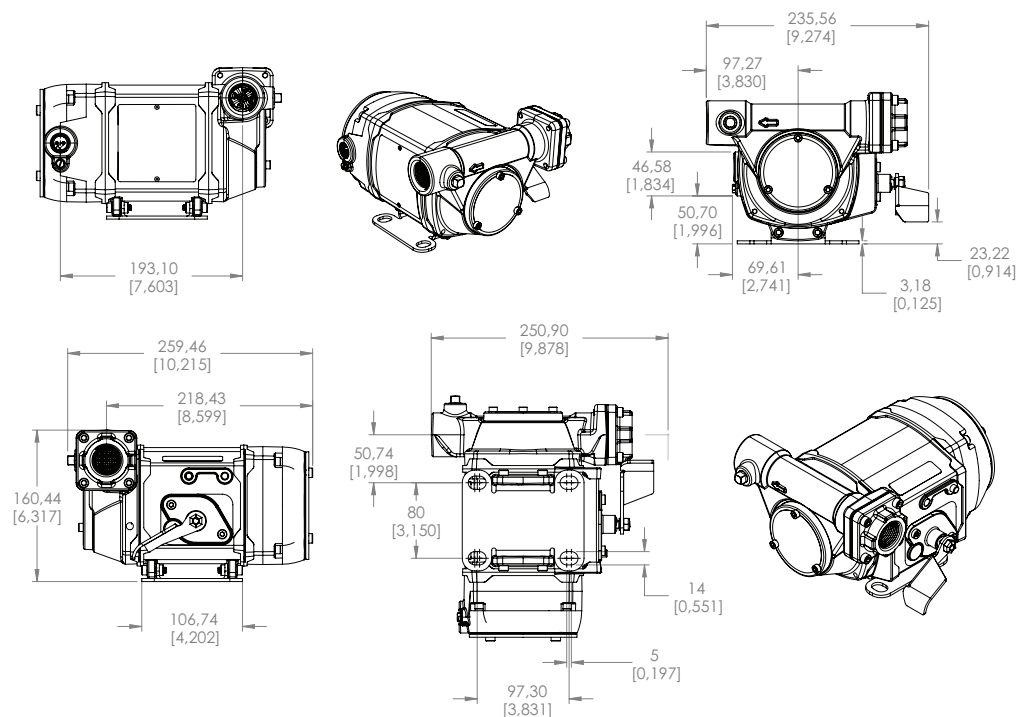


**Données dimensionnelles NX25-120 et NX25-240**

**Données dimensionnelles de montage sur bonde**



**Información de dimensiones con pie de montaje**





**Information technique**

Moteur	Caractéristiques
Alimentation	120/240 Vca 50/60 Hz
Puissance nominale (HP)	1/3
Intensité max. adm. (A)	3,5 / 1,8
Régime (tr/min)	Variable de 400 à 3500
Cycle d'exploitation	Continu pour transfert de carburant
Protection thermique	Protection électronique
Homologation	Moteur UL / cUL

Pompe	Caractéristiques
Type	Rotative à palettes
Débit dans la configuration fournie	95 l/min / 25 gal/min*
Pression nominale de dérivation - max.	25 PSI
Aspiration sèche (po Hg)	11
Hauteur d'aspiration max.	14,8 m (48,5 pi)
Admission – diamètre / filetage	1-1/4 po montage sur bonde / 1 pi montage sur socle (proposé en NPT et BSP)
Refoulement – diamètre / filetage	1 po NPT (BSP possible)
Admission - matériau	Fonte
Monture	Bonde 2 po NPT / Bonde 2 po BSP/ Socle
Matériau – corps de pompe	Fonte
Matériaux – parties humides	Phénolique, acier inoxydable, acier, Acétal, thermdurcissable, BUNA-N, fluorocarbène, céramique
Matériau du rotor	Fer fritté
Matériau des palettes de rotor	Acétal
Liquides compatibles	Carburant diesel, essence, biodiesel jusqu'à B20, E15, kérosène, essences minérales, méthanol (jusqu'à 15 %)
Maillage de la crépine	20 x 20
Garantie	2 ans
Température minimale nominale	-40 °C / -40 °F

\*L'ajout d'accessoires influe sur le débit

**Accessoires**

Accessoires	Description
N100DAU13	Pistolet automatique 1 po très haut débit
N100DAU13G	Pistolet automatique 1 po très haut débit (Diesel)
N100DAU12	Pistolet automatique 1 po haut débit
900CD	Compteur numérique
900CDP	Compteur numérique avec émetteur d'impulsions
FRH10020	Flexible à décharge statique 6,1 m (20 pi) x 1 po
FRH10012	Flexible à décharge statique 3,7 m (12 pi) x 1 po
S100H1315	Joint multiplan 1 po
TT10AN	Compteur à turbine numérique en ligne 1 po

**Entretien de la soupape de dérivation (démontage)**

**AVERTISSEMENT**

Débrancher l'alimentation électrique et libérer toute pression dans les conduites avant d'intervenir sur cette pompe afin d'écartier les risques de dégâts matériels, de blessure corporelle ou de mort!

**AVIS**

La dépose de la soupape de dérivation d'une pompe série NX25-120 ou NX25-240 suppose des précautions particulières. Veiller à suivre la procédure de remplacement figurant dans le mode d'emploi du nécessaire de rechange afin de minimiser le risque de dommage au corps de pompe durant le processus de dépose et de remontage. Le mode d'emploi de la trousse de rechange est disponible sur le site [fillrite.com](http://fillrite.com).

La soupape de dérivation se trouve à l'intérieur du corps de pompe. On y accède par les ouvertures d'admission et de refoulement.

Elle est constituée de trois pièces principales (Figure 1) :

- A. Bague d'arrêt de la soupape de dérivation
- B. Ressort de la soupape de dérivation
- C. Soupape de dérivation

1. Dévisser la pompe de l'adaptateur de citerne.
2. À l'aide d'un objet non tranchant de 10 cm (4 po) de long environ (par ex. une douille profonde sur une rallonge) inséré par l'ouverture d'admission, appuyer la soupape de dérivation fermement contre son siège de fermeture (Figure 2).
3. Tout en maintenant la soupape de dérivation fermement en place à l'aide de la douille, enfiler une pince à bec fin (d'au moins 10 cm [4 po] de long) dans l'ouverture de refoulement et saisir la bague d'arrêt de la soupape de dérivation (Figure 2 et 3).
4. Enfoncer légèrement la bague d'arrêt et la tourner de 90 degrés dans le sens antihoraire. Cela aligne le trou rectangulaire de la bague et la cheville de blocage de la soupape, ce qui permet de retirer la bague d'arrêt (Figure 2 et 3).

**Entretien de la soupape de dérivation (remontage)**

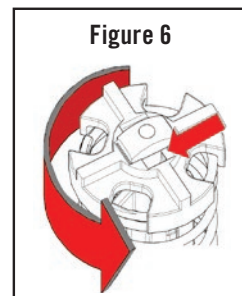
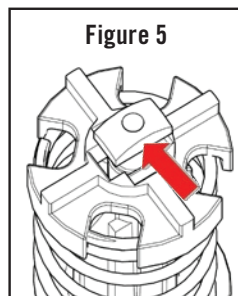
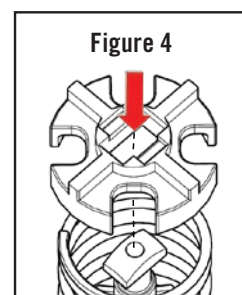
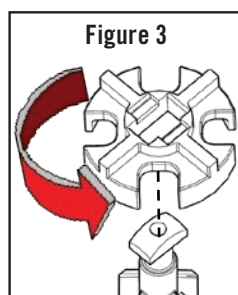
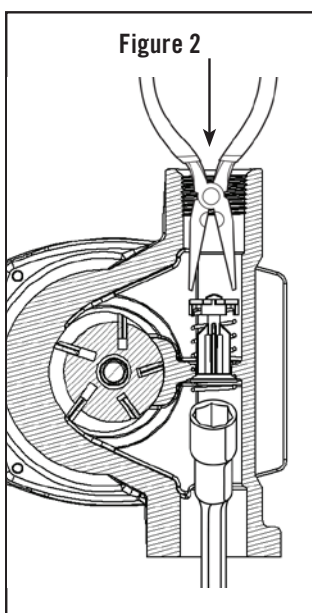
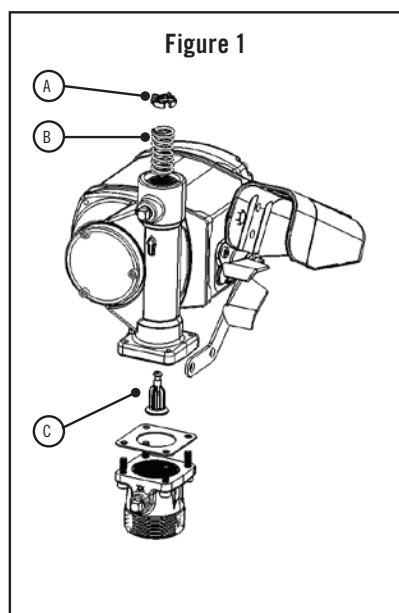
**AVERTISSEMENT**

Toujours porter une protection oculaire pour regarder à l'intérieur du refoulement de la pompe. Une bague d'arrêt de ressort de soupape mal placée ou mal montée peut être éjectée soudainement. L'utilisation d'une petite lampe torche peut permettre de mieux voir et d'aligner plus facilement les pièces lors de cette tâche.

1. À l'aide d'une pince à bec fin, placer la bague d'arrêt de la soupape de dérivation sur le dessus du ressort de soupape. Avec précaution, aligner le trou rectangulaire au centre de la bague d'arrêt et la cheville de blocage au sommet de la soupape de dérivation (Figure 4).
2. Enfoncer la bague d'arrêt sur la cheville de blocage de la soupape de dérivation. Appuyer sur la bague d'arrêt (en comprimant le ressort) jusqu'à ce qu'elle soit complètement sous la cheville de blocage (Figure 5).
3. Tourner la bague d'arrêt de 90 degrés dans le sens antihoraire et laisser le ressort la repousser lentement contre la cheville de blocage. La cheville de blocage doit IMPÉRATIVEMENT appuyer sur le fond du renforcement de la bague d'arrêt de la soupape (Figure 6).

**AVERTISSEMENT**

Il est indispensable que la cheville de blocage appuie sur le fond du renforcement de la bague d'arrêt de la soupape de dérivation comme sur l'illustration. Une bague d'arrêt mal remontée peut se détacher durant la marche en mode de dérivation, ce qui peut endommager la pompe, ou être éjectée par l'ouverture de refoulement de la pompe durant l'entretien.



**Données spécifiques aux modèles**

Modèle	Tension	Montage	Filetage	Accessoires	Flexible	Pistolet	Compteur	Homologation
NX25-120NB-PX	120V	Bonde 2 po NPT	NPT	PX	-	-	-	UL/cUL
NX25-120NB-AA	120V	Bonde 2 po NPT	NPT	AA	1 po X 5,5 m (18 pi)	Automatique très haut débit 1 po	-	UL/cUL
NX25-120NB-AB	120V	Bonde 2 po NPT	NPT	AB	1 po X 5,5 m (18 pi)	Automatique très haut débit 1 po	900CD	UL/cUL
NX25-120NB-AC	120V	Bonde 2 po NPT	NPT	AC	1 po X 5,5 m (18 pi)	Automatique très haut débit 1 po	900CDP	UL/cUL
NX25-120NB-AG	120V	Bonde 2 po NPT	NPT	AG	5,5 po X 6,1 m (12 pi)	Automatique service ¾ po	-	UL/cUL
NX25-120NB-AH	120V	Bonde 2 po NPT	NPT	AH	5,5 po X 6,1 m (12 pi)	Automatique service ¾ po	901C	UL/cUL
NX25-120NB-AJ	120V	Bonde 2 po NPT	NPT	AJ	1 po X 5,5 m (18 pi)	Automatique très haut débit 1 po	901C	UL/cUL
NX25-120NF-PX	120V	Socle	NPT	PX	-	-	-	UL/cUL
NX25-120NF-AA	120V	Socle	NPT	AA	1 po X 5,5 m (18 pi)	Automatique très haut débit 1 po	-	UL/cUL
NX25-240NF-PX	240V	Socle	NPT	PX	-	-	-	UL/cUL
NX25-240NB-PX	240V	Bonde 2 po NPT	NPT	PX	-	-	-	UL/cUL
NX25-240BF-PX	240V	Socle	BSP	PX	-	-	-	UL/cUL
NX25-240BB-PX	240V	Bonde 2 po BSP	BSP	PX	-	-	-	UL/cUL

**Ensembles d'accessoires proposés**

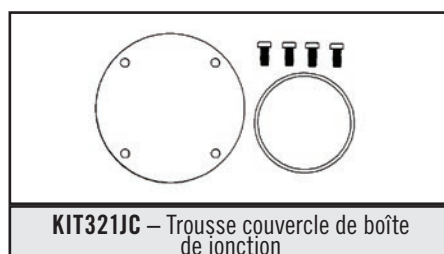
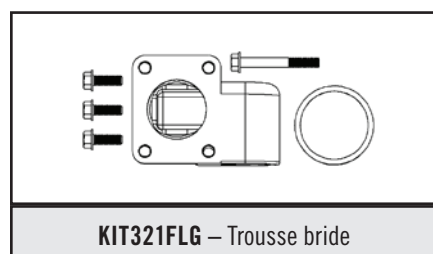
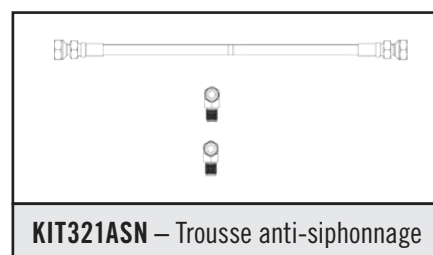
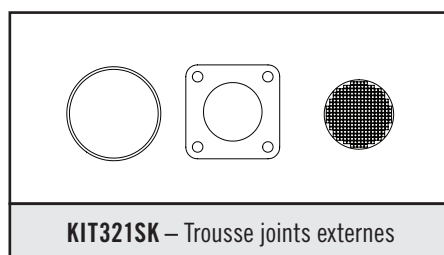
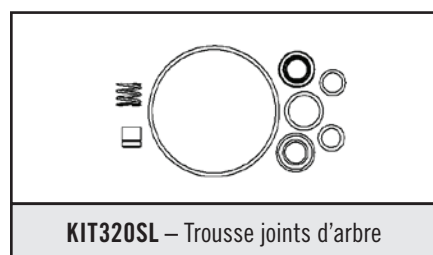
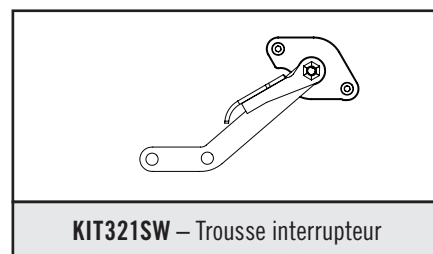
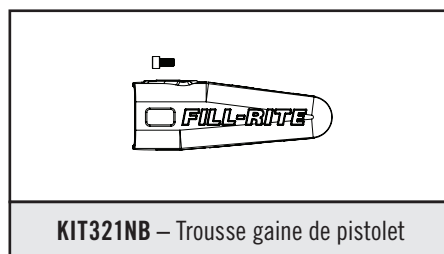
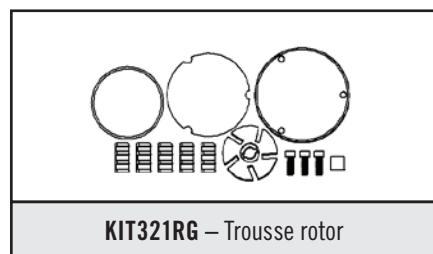
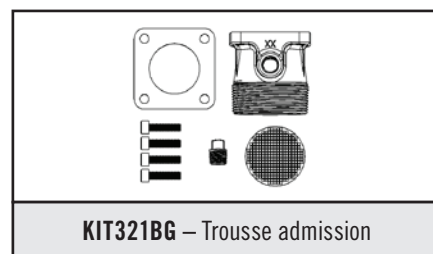
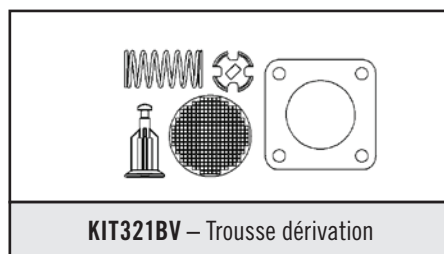
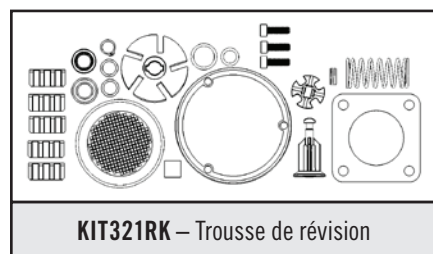
Type d'accessoire	Article accessoire	Ensemble d'accessoires						
		PX	AA	AB	AC	AG	AH	AJ
Pompe seule	Pas d'accessoire	X						
Flexible	Flexible à câble de décharge statique 1 po x 5,5 m (18 pi)					X	X	
	Flexible arctique 1 po x 6,1 m (20 pi)		X	X	X			X
Compteur	Compteur mécanique 901C, 1 po NPT						X	X
	Compteur numérique 900CD, 1 po NPT			X				
	Compteur numérique 900CDP, 1 po NPT				X			
Pistolet	Pistolet automatique sans plomb ¾ po					X	X	
	Pistolet 1 po très haut débit, gaine rouge		X	X	X			X

**Information sur les pièces de rechange**

Fill-Rite propose toutes les pièces nécessaires pour les réparations et l'entretien courant. Le diagramme et la liste de pièces ci-dessous couvrent toutes les pièces pertinentes pour le produit Fill-Rite. Ces pièces s'obtiennent auprès de tout concessionnaire Fill-Rite agréé. Veiller à utiliser uniquement des pièces de rechange Fill-Rite d'origine pour les besoins de l'entretien et des réparations. Voir la liste des concessionnaires agréés sur notre site Web à « [fillrite.com](http://fillrite.com) ».

**⚠ AVERTISSEMENT**

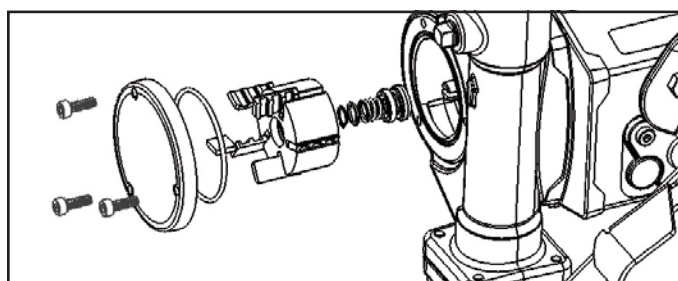
NE PAS ouvrir ni tenter de réparer le moteur de la pompe série NX25-120 ou NX25-240. L'ouverture du carter de moteur peut compromettre l'intégrité de sa structure antidéflagrante et aura pour effet d'invalider toutes les garanties et certifications (UL) existantes. **Voir la déclaration de garantie à la page 2.**



**Entretien du rotor, des palettes et des joints d'arbre**

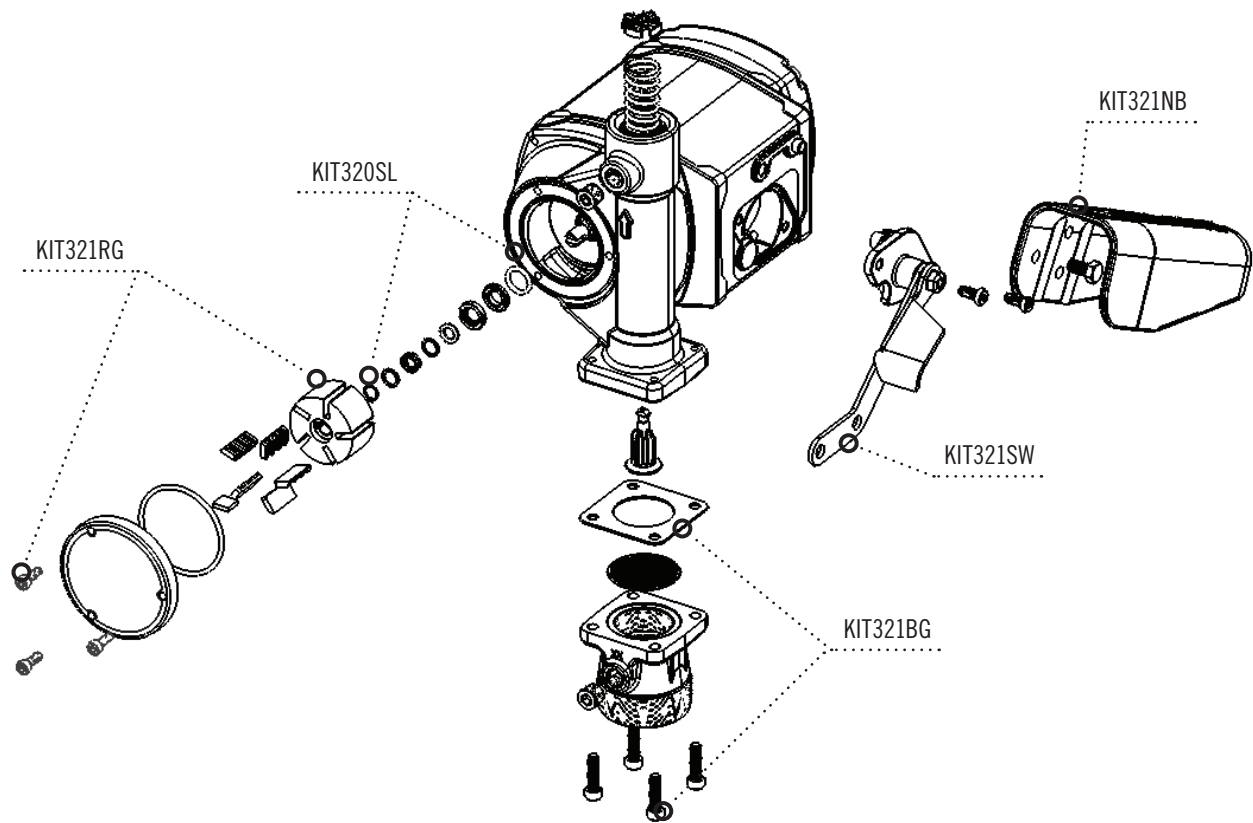
Le rotor, les palettes et les joints d'arbre se trouvent à l'intérieur du corps de pompe et on y accède par le capot de rotor sur la face de la pompe. Le capot est tenu en place par trois vis de fixation à tête six pans creux de 4 mm. Il est possible d'accéder au rotor et aux palettes à des fins d'inspection et de nettoyage, mais NE PAS tenter de déposer les joints d'arbre à moins d'avoir un jeu de joints neufs à installer.

Toujours contrôler le joint du capot de rotor et sa surface appariée (rainure) pour vérifier l'absence d'entailles ou de dommages avant de remonter. Pour éviter les fuites, s'assurer que le joint torique n'est pas pincé. Serrer les vis de fixation à un couple de 5 Nm (44 po-lb).

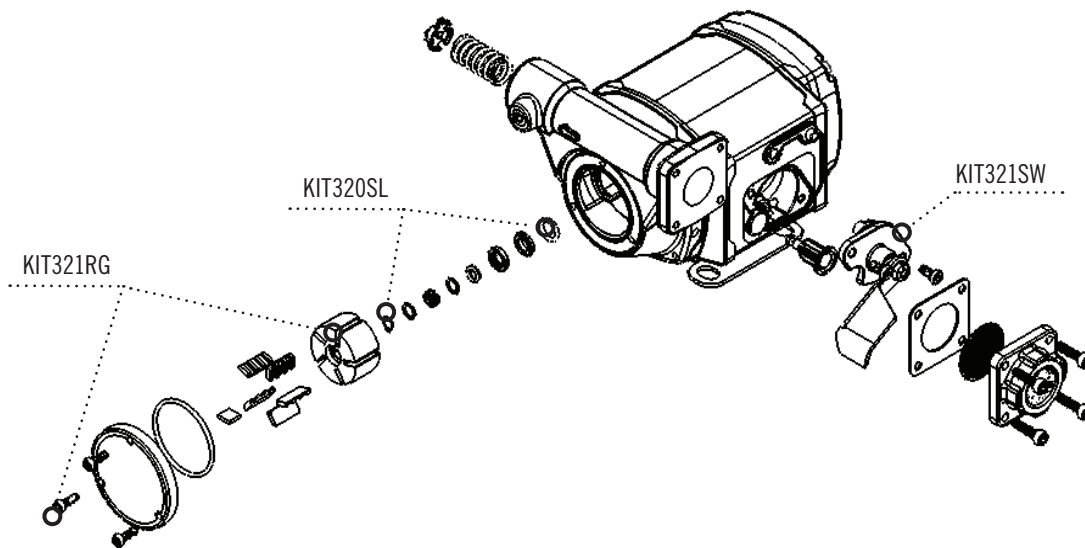


**Vue éclatée NX25-120 et NX25-240**

**Configuration de montage sur bonde**



**Configuration de montage sur socle**



**Dépannage**



Débrancher l'alimentation électrique avant toute opération d'entretien ou de réparation afin d'écartier les risques de choc électrique ou de démarrage intempestif du moteur, pouvant provoquer des blessures ou la mort.



NE PAS ouvrir ni tenter de réparer le moteur de la pompe série NX25-120 ou NX25-240. L'ouverture du carter de moteur peut compromettre l'intégrité de sa structure antidéflagrante et aura pour effet d'invalider toutes les garanties et certifications (UL) existantes. **Voir la déclaration de garantie à la page 2.**

Le présent guide de dépannage offre une assistance élémentaire au diagnostic. Pour toute autre question, communiquer avec nous au 1 (800) 720-5192 ou par e-mail à FillRiteTech@fillrite.com (lun-ven 8h00-17h00 heure de l'Est).

Symptôme	Cause	Solution
La pompe ne s'amorce pas	1. Problème de conduite d'aspiration	Vérifier l'absence de fuite et de restriction sur la conduite d'aspiration ; celle-ci peut être trop petite, trop longue ou non étanche
	2. Palettes grippées	Voir si les palettes présentent des entailles, dommages, obstructions ou usure excessive; les changer s'il y a lieu
	3. Usure excessive du rotor, des palettes, du capot de rotor ou du carter	Contrôler l'état d'usure du rotor, des palettes, du capot de rotor et du carter; les changer s'il y a lieu
	4. Admission / refoulement obstrués	Vérifier l'absence d'obstruction dans la pompe, le flexible, le pistolet et le filtre ou la crépine
	5. Trop de tuyauterie verticale ou horizontale d'admission	Réduire la distance verticale ou horizontale entre la pompe et le liquide
	6. Soupape de dérivation bloquée	Ouvrez la soupape, nettoyer les saletés
Capacité insuffisante	1. Trop de saleté dans le tamis	Déposer et nettoyer le tamis
	2. Problème de conduite d'aspiration	Vérifier l'absence de fuite et de restriction sur la conduite d'aspiration; elle peut être de section insuffisante, trop longue, non étanche ou trop basse verticalement
	3. Usure excessive du rotor, des palettes, du capot de rotor ou du carter	Contrôler l'état d'usure du rotor, des palettes, du capot de rotor et du carter; les changer s'il y a lieu
	4. Flexible ou pistolet endommagé	Changer le flexible ou le pistolet
	5. Niveau de liquide insuffisant	Remplir la citerne
	6. Filtre de sortie obstrué	Changer le filtre
La pompe tourne lentement	1. Pompe fonctionnant en dérivation	Fonctionnement normal; la pompe réduit naturellement sa vitesse en mode de dérivation
	2. Palettes grippées	Voir si les palettes présentent des entailles, dommages, obstructions ou usure excessive; les changer s'il y a lieu
	<b>3. Problème de moteur*</b>	<b>Voir la déclaration de garantie</b>
	4. Trop de restrictions à la sortie	Réduire les restrictions de sortie (par ex. flexible plus court, élimination du joint articulé)
Le moteur cale / le coupe-circuit disjoncte	1. Court-circuit dans le câblage	Contrôler le câblage électrique et le changer en cas de court-circuit
	2. Usure excessive du rotor ou des palettes	Voir si les palettes présentent des entailles, dommages, obstructions ou usure excessive; les changer s'il y a lieu
	3. Blocage du rotor de pompe*	Nettoyer et contrôler le rotor et les palettes; les changer s'il y a lieu
	4. Débris dans la cavité de la pompe	Nettoyer les débris de la cavité de la pompe

Le **texte en gras** indique les réparations ne pouvant pas être effectuées par le propriétaire; **voir les instructions dans notre déclaration de garantie à la page 2.**

\*Ce problème met le moteur à l'arrêt.

### Avertisseur Intelligent Tones

La pompe nextec comporte un système d'autodiagnostic qui facilite le dépannage en cas de besoin. La pompe produit une série de tonalités; noter l'ordre et le nombre de tonalités graves et aiguës pour identifier l'état d'erreur.

En fonction du problème détecté par la pompe, elle produit un **code à 3 tonalités** ou un **code à 4 tonalités** :

- Les **codes à 3 tonalités** indiquent un problème d'exploitation ou quelque chose en rapport avec l'installation de la pompe, comme un problème d'amorçage ou de tension d'alimentation.
- Les **codes à 4 tonalités** indiquent une défaillance de pompe, un état en dehors des paramètres de fonctionnement de la pompe, comme une surchauffe ou un problème en rapport avec l'électronique interne de la pompe.

Consulter la table ci-dessous pour déterminer quel problème est détecté par la pompe et comment le résoudre. Dans la table ci-dessous, les flèches pointant vers le haut (↑) indiquent une tonalité aiguë, les flèches pointant vers le bas (↓) indiquent une tonalité grave. Les problèmes indiqués en **GRAS** ne sont pas réparables sur le terrain et nécessitent le renvoi de la pompe au fabricant.

#### Erreurs à 3 tonalités (problèmes d'exploitation ou d'installation)

Tonalités	Problème	Solution
↑ ↓ ↓	Tension d'entrée basse (arrêt automatique)	Vérifier le calibre, la longueur et les raccordements du câblage d'entrée
↑ ↓ ↑	Tension d'entrée élevée (arrêt automatique)	Contrôler la tension d'arrivée
↓ ↑ ↑	Rotor bloqué (arrêt automatique)	Mettre l'interrupteur à l'arrêt et contrôler le rotor et les palettes*
↓ ↑ ↓	Échec d'amorçage / aspiration / levage	Vérifier l'étanchéité du tube d'aspiration, les raccords d'admission et s'il y a des restrictions à la tuyauterie dans la citerne, une hauteur verticale d'aspiration excessive ou si la citerne est vide

#### Erreurs à 4 tonalités (problèmes de matériel)

Tonalités	Problème	Solution
↓ ↑ ↑ ↑	<b>Problème de matériel (arrêt automatique)</b>	<b>Dépanner comme indiqué ci-dessous**</b>
↓ ↑ ↓ ↓	Surchauffe du matériel (arrêt automatique)	Mettre l'interrupteur à l'arrêt et laisser la pompe refroidir*
↓ ↓ ↑ ↑	Surchauffe du moteur (arrêt automatique)	Mettre l'interrupteur à l'arrêt et laisser la pompe refroidir*
↓ ↓ ↑ ↓	<b>Surtension du moteur (arrêt automatique)</b>	<b>Dépanner comme indiqué ci-dessous**</b>
↓ ↓ ↓ ↑	<b>Sous-tension du moteur (arrêt automatique)</b>	<b>Dépanner comme indiqué ci-dessous**</b>

\* Ce problème met le moteur à l'arrêt. Pour redémarrer le moteur, mettre l'interrupteur en position d'arrêt puis en position de marche, ou couper et rétablir d'alimentation du moteur.

\*\* **Avant de renvoyer la pompe au lieu d'achat, effectuer ce qui suit** : mettre l'interrupteur en position d'arrêt et débrancher l'alimentation électrique pendant au moins une minute. Rebrancher l'alimentation et remettre l'interrupteur en position de marche. Vérifier le bon fonctionnement de la pompe. Si cette procédure ne permet pas de redémarrer la pompe ou pour toute question supplémentaire, communiquer avec le Support technique au 1 (800) 720-5192.

**ATTENTION!**

L'information ci-dessous concerne les pompes et compteurs de série NX25-240B (conçus pour une utilisation en dehors des États-Unis et du Canada). Voir l'étiquette d'information apposée sur votre pompe pour voir si cela s'applique.

**Matériaux de fabrication**

Les matériaux de fabrication de la surface extérieure de l'appareil sont les suivants : acier plaqué, fonte peinte, métal poudré plaqué, aluminium peint, thermoplastique, aluminium anodisé.

Les matériaux de fabrication des pièces humides sont les suivants : fonte, acier revêtu, acier inoxydable, fluorocarbène, nitrile, liège, métal poudré, plastique thermodurcissable, thermoplastique, céramique.

**Réparation et entretien**

Communiquer avec le lieu d'achat concernant les réparations et l'entretien sous garantie.

**Conditions particulières d'utilisation**

- Consulter le fabricant pour toute information sur les dimensions des joints antidéflagrants.
- Les vis spéciales utilisées pour la fixation du flasque sont des vis de classe 12.9. Les vis spéciales utilisées pour attacher le couvercle sont des vis de classe 10.9.

**Installation**

La pompe doit être installée en conformité avec EN-60079-14 ou CEI 60079-14, selon le cas.

Des certificats de conformité pour la sécurité ont été obtenus auprès des organismes suivants pour les produits vendus en dehors des États-Unis et du Canada. Voir les données de conformité particulières du produit considéré sur son étiquette.

**Les normes suivantes ont été utilisées pour établir la conformité dans l'Union européenne :**

EN CEI 60079-0:2018 7e éd. « Atmosphères explosives – Partie 0 : Matériel – Exigences générales. »

EN 60079-1:2014 7e éd. « Atmosphères explosives – Partie 1 : Protection du matériel par enveloppes antidéflagrantes < d >. »

EN ISO 80079-36:2016 1ère éd. « Atmosphères explosives - Partie 36 : Appareils non électriques destinés aux atmosphères explosives - Prescriptions et méthodologie. »

EN ISO 80079-37:2016 1ère éd. « Atmosphères explosives - Partie 37 : Appareils non électriques destinés aux atmosphères explosives - Mode de protection non électrique par sécurité de construction < c >, par contrôle de la source d'inflammation < b >, par immersion dans un liquide < k >. »

Directive 2014/34/UE – « Appareils et systèmes de protections destinés à être utilisés en atmosphères explosives. »

Directive 2011/65/UE – « Limitation de l'utilisation de certaines substances dangereuses dans les équipements électriques et électroniques. »

2006/42/CE – « Machines. »

ISO 12100:2010 – « Sécurité des machines - Principes généraux de conception - Appréciation du risque et réduction du risque. »

BS EN 809:1998 + A:2009 – Pompes et unités de pompes pour liquides. Exigences communes en matière de sécurité. »

**Les normes suivantes ont été utilisées pour établir la conformité à la certification IECEx :**

CEI 60079-0:2017, 7e éd.

CEI 60079-1:2014, 7e éd.

**Informations sur la plaque du moteur**

MODÈLE : NX25-240B

TENSION : 230 Vca

PUISSANCE : 1/3 HP

INTENSITÉ : 1,8 A

SERVICE CONTINU

RÉGIME : 3500 tr/min

TEMPÉR. D'EXPLOITATION T6

-40 °C ≤ Ta ≤ +40 °C

ISOL. : B

VOIR LES INSTRUCTIONS DU DOCUMENT D'INSTALLATION

CE2809

N° DE SÉRIE ET DATE DE FABRICATION

Marque de commerce Fill-Rite

8825 Aviation Drive

Fort Wayne, IN 46809 États-Unis



II 2 G

Ex db IIA T6 Gb

UL 21 ATEX 2262X

IECEx 21.0031X

Ex db IIA T6 Gb



# FILL-RITE®

A GORMAN-RUPP COMPANY

**Fill-Rite Company**  
8825 Aviation Drive  
Fort Wayne, Indiana 46809 USA

T 1 (800) 720-5192

1 (260) 747-7524

F 1 (800) 866-4681



fillrite.com | soteracom | gormanrupp.com





# FILL-RITE®

## BOMBAS DE TRANSFERENCIA DE COMBUSTIBLE DE CA DE LAS SERIES NX25-120 Y NX25-240

Manual de instalación y operación



MADE IN  USA  
WITH GLOBAL MATERIALS

  
GORMAN-RUPP  
COMPANY

**Table of Contents**

Características únicas de nextec..... 3

Información de seguridad..... 3

Seguridad durante el abastecimiento de combustible ..... 4

Instalación..... 4

Instalación de la envoltura de boquilla ..... 4

Instalación de la base de la bomba ..... 4

Dispositivo antisifón ..... 5

Instalación del tanque ..... 5

Conexión de alimentación de CA..... 6

Seguridad operacional ..... 6

Instrucciones de operación ..... 7

Uso de candado ..... 7

Información de dimensiones..... 8

Información técnica..... 9

Mantenimiento de la válvula de derivación..... 10

Información de modelo ..... 11

Paquetes de accesorios ..... 11

Kits y piezas ..... 12

Mantenimiento del rotor, las aspas y los sellos del eje ..... 12

Vista explotada..... 13

Solución de problemas..... 14

Tonos inteligentes..... 15

**¡Gracias!**

Gracias por su lealtad con la marca Fill-Rite® de bombas de transferencia de combustible. Su seguridad es importante, por eso lea y entienda completamente los procedimientos expuestos en este manual. Además, guarde estas instrucciones para futura referencia y registre el modelo, número de serie y fecha de compra de su bomba de transferencia de combustible. Protéjase y proteja a quienes lo rodean y acate todas las instrucciones de seguridad y respete todos los símbolos de peligro, advertencia y precaución. Registre su producto Fill-Rite® en [info.fillrite.com/product\\_registration](http://info.fillrite.com/product_registration).

**POLÍTICA DE DEVOLUCIÓN IMPORTANTE**

**No devuelva este producto a la tienda.** Para todas las preguntas sobre garantía y productos, comuníquese con Servicio al Cliente de Fill-Rite al 1 (800) 720-5192 (lunes a viernes, 8 a. m. a 5 p. m., hora estándar del este u horario de verano del este).

MODEL #	
SERIAL #	
PURCHASE DATE:	



**Política de garantía limitada**

Fill-Rite garantiza que los productos manufacturados no presentarán defectos de materiales ni de fabricación. Puede encontrar detalles específicos de las garantías para productos individuales en [fillrite.com](http://fillrite.com).

**Características únicas de la bomba nextec**

Su bomba de transferencia de combustible nextec funcionará de manera distinta a las bombas no inteligentes en el arranque y durante el funcionamiento. Tenga en cuenta lo siguiente cuando empiece a utilizar la bomba nextec Intelligence™ y a aprender sobre cómo funciona.





- En el arranque inicial, la bomba se puede acelerar por un momento, pero se desacelerará, como en marcha lenta, a medida que responde a la carga que detecta. Este estado es normal y continuará con esta velocidad baja hasta que usted presione el gatillo de la boquilla dispensadora para iniciar el flujo de líquido.
- Cuando presione el gatillo de la boquilla para iniciar el flujo, el microprocesador de la bomba detectará el cambio y aumentará las RPM para adecuarse a la carga.

Es común que la bomba cambie las RPM durante el funcionamiento. Esto ocurrirá a medida que detecta cambios en los parámetros de funcionamiento; por ejemplo, si aumenta o disminuye el flujo en la boquilla, los componentes electrónicos que controlan el motor detectarán los cambios y ajustarán la velocidad del motor para optimizar el rendimiento.

- Si la bomba detecta una condición que está fuera de los parámetros normales de funcionamiento (bajo voltaje de la batería, por ejemplo), hará sonar una serie de tonos para alertar sobre la situación y ayudar a determinarla. Para obtener más detalles sobre esta característica, consulte la sección “Tonos inteligentes” de la Guía de solución de problemas en la página 14.
- La bomba NX25-DDC cuenta con un ciclo de trabajo continuo, lo que significa que no es necesario apagar la bomba para que “repose” luego de un período de uso específico. Esto le permite pasar desde el abastecimiento de combustible de un equipo a otro sin la necesidad de apagar la bomba. Sin embargo, nextec Intelligence tiene una desconexión automática en caso de que la bomba quede funcionando en modo de recirculación (sin dispensar líquido) durante 20 minutos. Esta característica protege contra el rebose excesivo de la batería, como también protege del uso no necesario excesivo de la bomba en caso de olvidar apagarla. La bomba se debería apagar sola en estas condiciones, lo único que debe hacer es colocar el interruptor de encendido en la posición de apagado y luego en la de encendido para restablecer el funcionamiento de la bomba.
- Nextec Intelligence también apagará el motor en los siguientes casos:
  - ▶ La temperatura de la bomba supera los parámetros límite
  - ▶ El suministro de voltaje está fuera de los parámetros límite
  - ▶ El rotor está bloqueado






**Acerca de este manual**

Desde el concepto y el diseño inicial hasta el producto final, su bomba Fill-Rite se fabrica para darle años de servicio sin ningún problema. Para garantizar que proporcione dicho servicio, y evitar lesiones o la muerte, es fundamental que lea por completo este manual antes de intentar instalar u operar su nueva bomba. Familiarícese con los términos y diagramas, y preste mucha atención a las áreas destacadas con las siguientes etiquetas:

 <b>PELIGRO</b>	Destaca un área en que <b>sí</b> se producirán lesiones corporales e incluso la muerte si no se siguen las instrucciones de manera adecuada. También se pueden producir daños mecánicos.
 <b>ADVERTENCIA</b>	Destaca un área en que <b>puede</b> que se produzcan lesiones corporales e incluso la muerte si no se siguen las instrucciones de manera adecuada. También se pueden producir daños mecánicos.
 <b>PRECAUCIÓN</b>	No prestar atención al aviso de “Precaución” podría provocar daños al equipo.
 <b>AVISO</b>	Estos cuadros contienen información que ilustra un punto que podría ahorrar tiempo, ser clave para la operación adecuada o que aclara un paso.

Et Fill-Rite, su satisfacción con nuestros productos es primordial. Si tiene cualquier duda o necesita asistencia con nuestros productos, comuníquese con nosotros al 1 (800) 720-5192 or via email at FillRiteTech@fillrite.com (lunes a viernes de 8:00 a. m. a 5:00 p. m., hora del Este).

**Información de seguridad**

 <b>PELIGRO</b>	El cableado eléctrico se debe realizar con extremo cuidado y debe cumplir con los códigos de electricidad locales, estatales y nacionales NEC/ANSI/NFPA 70, NFPA 30 y NFPA 30A, según corresponda para el uso que se le dará a la bomba. Se deben utilizar conductos rígidos roscados, conectores sellados y sellos de conductor donde corresponda. La bomba debe estar debidamente conectada a tierra. Si no se instala de acuerdo con este manual, un electricista con licencia debe realizar la instalación. La instalación o el uso incorrectos de este producto provocarán lesiones corporales graves o la muerte.
 <b>PELIGRO</b>	Para garantizar una operación segura y adecuada de su equipo, es fundamental leer y cumplir todas las siguientes precauciones y advertencias de seguridad. Si no sigue las siguientes instrucciones o si la instalación o el uso de este producto son incorrectos, se provocarán lesiones corporales graves o la muerte. <ul style="list-style-type: none"> <li>• <b>NUNCA</b> fume cerca de la bomba ni la utilice cerca de una llama mientras bombea un líquido inflamable. Se puede producir un incendio.</li> <li>• Este producto no se debe utilizar para transferir líquidos a ningún tipo de aeronave.</li> </ul>
 <b>PELIGRO</b>	Para reducir la acumulación de electricidad estática y el riesgo de explosión, utilice solo una manguera conductora de cableado estático cuando bombee líquidos inflamables y mantenga la boquilla de llenado en contacto con el recipiente que se esté llenando durante el proceso de llenado. La descarga de chispa o estática provoca explosiones.
 <b>ADVERTENCIA</b>	Las juntas de tuberías roscadas y las conexiones se deberían sellar con un sellador adecuado o cinta selladora para minimizar las posibilidades de filtraciones. Las fugas de combustible pueden provocar riesgo de incendio o explosión.
 <b>PRECAUCIÓN</b>	El motor de la bomba cuenta con protección electrónica contra sobrecarga térmica; si se sobrecalienta, se apaga el motor. Después de que el motor se ha enfriado, puede encender y apagar la alimentación o el interruptor para restablecer esta característica de seguridad y continuar el uso. La bomba no volverá a funcionar hasta que se haya enfriado adecuadamente.

**PRECAUCIÓN**

Este producto no es apto para su uso con líquidos destinados al consumo humano o líquidos que contengan agua. Los materiales de construcción no son de grado alimenticio. El agua genera óxido y corrosión en la carcasa de la bomba. Si ingresa agua a la bomba, limpie de inmediato con un producto derivado del petróleo (gasolina, diésel, aceite ligero, etc.) para eliminar el agua residual.

**AVISO**

Se debe utilizar un filtro Fill-Rite en la salida de la bomba para garantizar que no se transfiera ningún material extraño al tanque de combustible. El material extraño puede dañar el equipo que se está abasteciendo de combustible.

**Seguridad durante el abastecimiento de combustible**

**PELIGRO**

Los humos acumulados durante el abastecimiento de combustible generan una atmósfera explosiva. Es **FUNDAMENTAL** que se traslade toda fuente de ignición o que se elimine. Ejemplos de fuentes de ignición son las llamas abiertas, los cigarrillos, la descarga estática, las conexiones eléctricas, entre otras, las que puedan generar una chispa. La ignición de los vapores explosivos puede provocar explosiones, incendio y lesiones graves o la muerte.

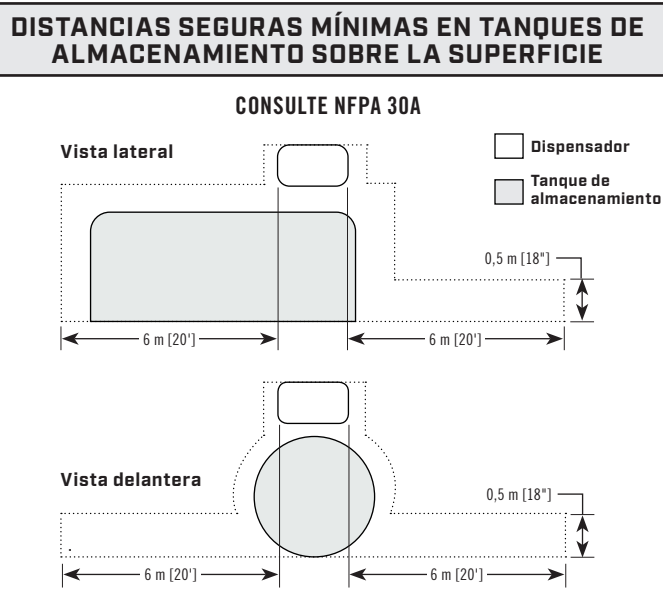
A medida que se llena un tanque, el aire se desplaza y sale a través de la ventilación del tanque de combustible en forma de humos, los que al acumularse generan una atmósfera explosiva. Para evitar posibles explosiones provocadas por vapores acumulados, es fundamental mantener las fuentes de chispas o ignición a una distancia segura de los vapores que se desprende del combustible.

El diagrama adjunto muestra las distancias seguras mínimas entre el tanque de almacenamiento, el dispensador y la fuente de alimentación.

**ADVERTENCIA**

Se puede generar una chispa de electricidad estática durante el llenado de recipientes portátiles ubicados en el revestimiento de la plataforma de un camión o el alfombrado o cubrepiso de cualquier vehículo. Esta chispa iniciará de manera explosiva un incendio por el vapor de gasolina y causará **LESIONES GRAVES o la MUERTE.**

- **PELIGRO DE EXPLOSIÓN POR CHISPA DE ELECTRICIDAD ESTÁTICA.**
- **NUNCA** llene recipientes portátiles que estén en o dentro de un vehículo
- **SIEMPRE COLOQUE LOS RECIPIENTES EN EL SUELO.**
- Mantenga la boquilla en contacto con el recipiente durante el llenado.



**Instalación**

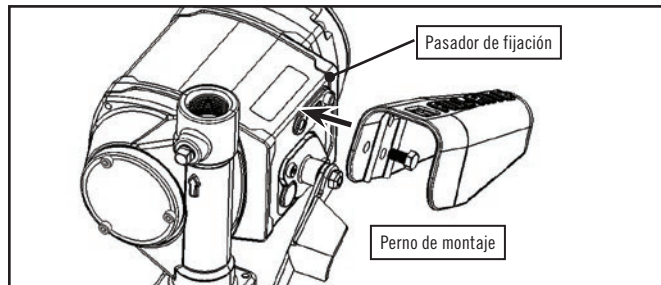
Las bombas NX25-120 y NX25-240 están diseñadas para ofrecer varias configuraciones de diferentes montajes, que incluyen cualquier opción de montaje, ya sea en tanque o con pie de montaje. Independientemente de estilo de montaje, todos los tanques deben estar debidamente ventilados.

**PRECAUCIÓN**

No utilice válvulas de retención o de contención, a menos que estas tengan incorporada una válvula de alivio de presión adecuada. Tenga en cuenta que las válvulas de retención reducirán la velocidad del flujo.

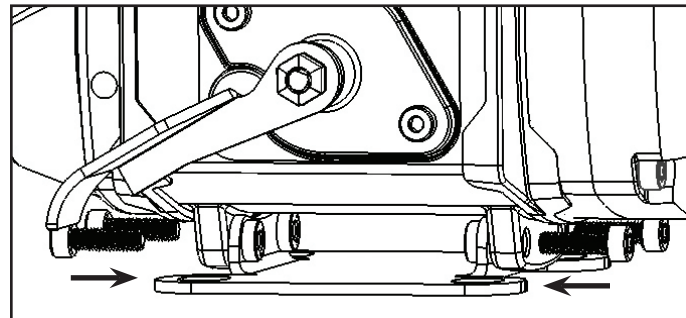
**Instalación de la envoltura de boquilla**

Instale la envoltura de boquilla con el perno de sujeción que viene incluido. Tenga presente que el perno se inserta a través del orificio más cercano a la abertura de la boquilla y, luego, se coloca en posición la envoltura de tal forma que el pasador en la superficie de montaje de la bomba se inserte en el segundo orificio superior de la envoltura. Esto permite una alineación correcta de la boquilla cuando se inserta en la envoltura.



**Instalación con pie de montaje**

La base de montaje está atornillada a la parte inferior de la carcasa de la bomba con los cuatro tornillos de cabeza hueca que se proporcionan. Monte la base con el reborde de los pernos en el interior de los montajes de la bomba como se muestra en la imagen. Apriete a 5,6 Nm (50 lb-pulg.) con una llave hexagonal de 4 mm.



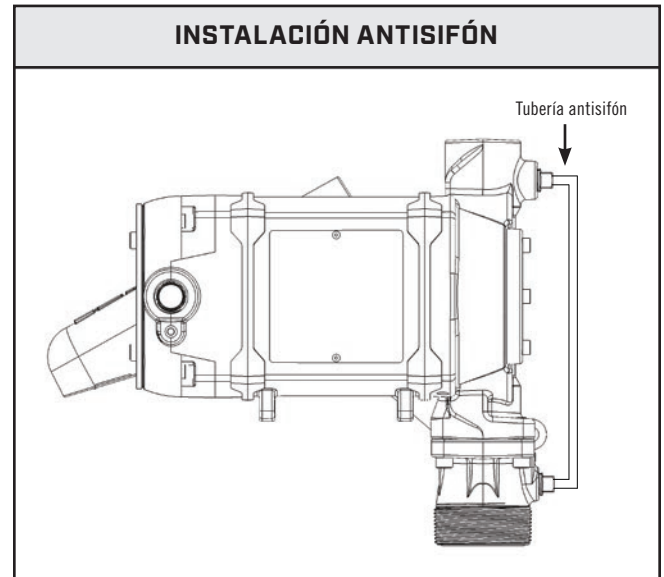
**Dispositivo antisifón**

Las bombas NX25-120 y NX25-240 vienen listas de fábrica para instalar un tubo antisifón de vuelta al tanque. Un dispositivo antisifón (también conocido como igualador de presión) es importante debido a que romperá un sifón de líquido si hay una boquilla abierta o una manguera con filtraciones bajo el nivel del líquido en el tanque al apagar la bomba. Fill-Rite recomienda instalar un kit antisifón n.º KIT321ASN desde la salida de la bomba de vuelta al espacio para el vapor en el tanque.

Esta ilustración muestra dónde instalar el tubo de manera que termine en el espacio para el vapor en la parte superior del tanque. El tubo debe terminar en el espacio para el vapor; si termina bajo el nivel del líquido en el tanque, no prevendrá el sifonaje. Es muy importante que no haya dispositivos de retención de líquido en la tubería; debe tener una pendiente continua hacia abajo desde la bomba al tanque y se puede conectar en cualquier abertura en la parte superior del tanque, si no se usa el adaptador del tanque. Utilice codos dobles reductores según sea necesario para ajustar y sellar de manera apropiada.

La abertura de 1/4 NPT en el lado del adaptador del tanque termina en el espacio para el vapor del tanque. Realice conexiones impermeables con el sellador adecuado desde el adaptador hasta el tubo de salida antisifón, con un mínimo de tubería de metal de 1/4 que sea compatible con cualquier líquido que se esté bombeando. Si se está utilizando el adaptador de tanque antisifón y no se está utilizando la abertura de 1/4 de NPT para la tubería, deje el tapón instalado de fábrica en su lugar.

Fill-Rite ofrece el kit antisifón n.º KIT321ASN (disponible por medio de su distribuidor Fill-Rite). El kit contiene los conectores y las tuberías necesarios para completar la instalación como se muestra en las imágenes de esta sección. **NOTA:** Este kit SOLO sirve para instalaciones sobre el tanque.



**Instalación del tanque**

Las bombas NX25-120 y NX25-240 se montan en el tapón de un tanque a través del adaptador del tanque que está emperrado a la brida de entrada. La tubería de succión se enrosca a la parte inferior del adaptador del tanque y se debe cortar de un largo tal que se ubique a una distancia de al menos 7,6 cm (3") del fondo del tanque. El tanque se debe equipar con una tapa de ventilación.

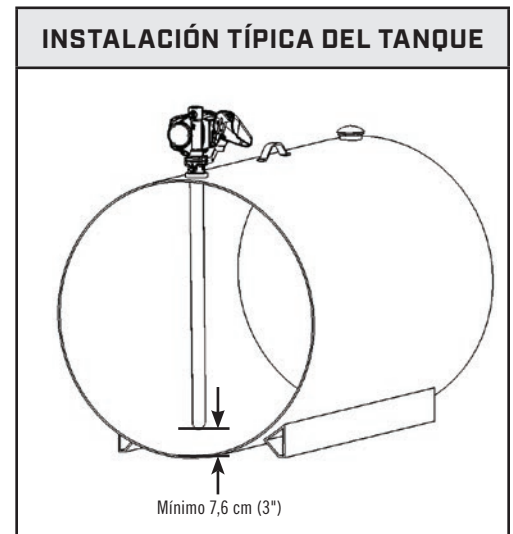
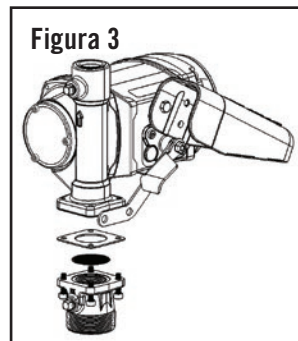
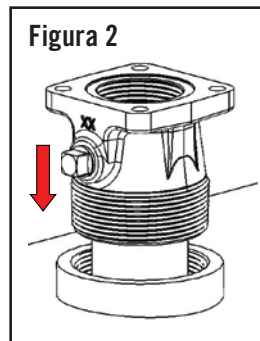
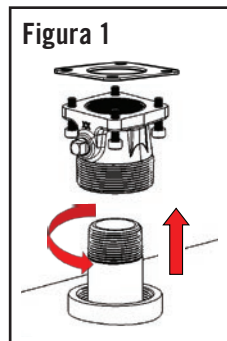
**Materiales**

- Tubería de 1-1/4" cortada a un largo de al menos 7,6 cm (3") sobre el fondo del tanque cuando se atornilla en el adaptador del tanque y con el adaptador del tanque atornillado a la conexión del tapón ubicada en la parte superior del tanque.
- Sellador de junta de tubería roscada adecuado para la aplicación.

**Procedimiento de instalación**

1. Enrosque la tubería de 1-1/4" en el adaptador del tanque. Selle las roscas para impermeabilizarlas con un sellador apropiado (Figura 1).
2. Atornille el adaptador del tanque (con la tubería de succión) en el tapón del tanque; selle las roscas para impermeabilizarlas con un sellador de roscas apropiado (Figura 2).
3. Monte la bomba en el adaptador y asegúrese de que el sello y la rejilla se instalen como se muestra (Figura 3).

**NOTA:** Los adaptadores del tanque vienen con roscas NPT o BSP, dependiendo del modelo que adquiera (consulte la página 11 para obtener información específica del modelo).



**NOTICE**

Asegúrese de que la rejilla esté bien ubicada en la muesca del adaptador del tanque antes de instalar el sello y el adaptador del tanque a la bomba. No ubicar la rejilla de manera correcta puede generar filtración de líquido.

**Cableado eléctrico**

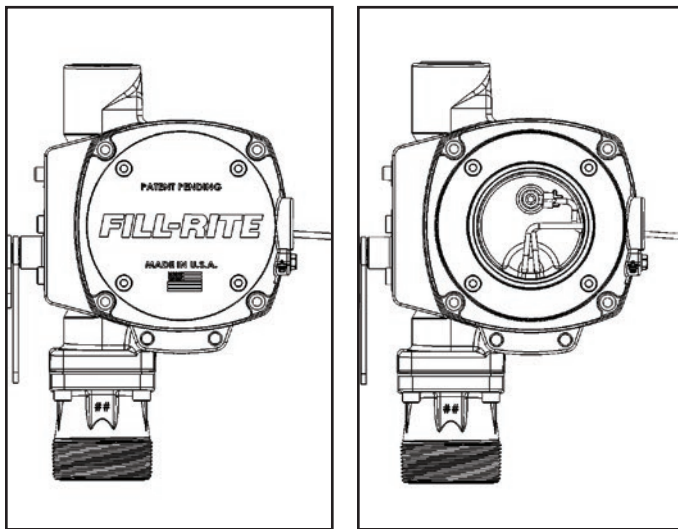
**⚠ ADVERTENCIA**

El cableado eléctrico SOLO debe realizarlo un electricista con licencia que cumpla los códigos de electricidad locales, estatales y nacionales NEC/ANSI/NFPA 70, NFPA 30 y NFPA 30A, según corresponda para el uso que se le dará a la bomba. Se deben utilizar conductos rígidos roscados, conectores sellados y sellos de conductor. La bomba debe estar debidamente conectada a tierra. La instalación o el uso incorrectos de esta bomba pueden provocar lesiones graves o la muerte.

**⚠ PRECAUCIÓN**

Todas las bombas deben funcionar al voltaje nominal de la placa de identificación. Se debe suministrar energía a la bomba desde un disyuntor de circuito de 20 amperios. Este circuito no debe alimentar a ningún otro equipo. Los cables deben tener el calibre suficiente para transportar la corriente adecuada para la bomba. La caída de voltaje variará con la distancia a la bomba y el calibre del cable. Consulte el Código Eléctrico Nacional (NEC) o los códigos locales para obtener información sobre la compensación de caídas de voltaje y asegurarse de que está utilizando un cableado del calibre correcto para su aplicación.

**Procedimiento de cableado**



1. Retire la cubierta de la caja de conexiones y enderece los cables para asegurarse de que se puede tener acceso a los extremos de los cables pelados fuera de la caja de conexiones.
2. Conecte los cables de la bomba a las tuberías de suministro de energía según el diagrama. Asegúrese de aislar correctamente las conexiones con tuercas para hilos u otros conectores adecuados. Tenga en cuenta que el conductor de tierra DEBE estar conectado. La conexión del conducto es roscado de 1/2" NPT.
3. Pliegue los cables de regreso en la caja de conexiones y reemplace la cubierta. Asegúrese de que la junta de la cubierta esté en su lugar. Apriete los sujetadores a 5,0 Nm (44 lb-pulg.) con una llave hexagonal de 4 mm.

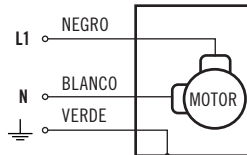
**⚠ ADVERTENCIA**

Las bombas NX25-120 y NX25-240 NO son de doble voltaje. Conecte de acuerdo con el voltaje de la etiqueta del motor.

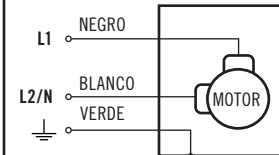
**NOTICE**

Asegúrese de que la junta de la cubierta esté en su lugar y que los tornillos bajen firmemente la cubierta sobre la caja de conexiones. No deba haber separación entre la caja de conexiones y su cubierta.

**DIAGRAMA DE CABLEADO DE 120 VOLTIOS**



**DIAGRAMA DE CABLEADO DE 240 VOLTIOS**



**Seguridad operacional**

**⚠ PELIGRO**

**NO** use la bomba en áreas cerradas cuando bombee líquidos peligrosos o explosivos. El área de bombeo debe estar bien ventilada. Los vapores concentrados en un área cerrada son nocivos y altamente explosivos.

**⚠ ADVERTENCIA**

**NUNCA** desconecte el cableado de alimentación de la bomba mientras esté encendida o conectada a una fuente de alimentación. **SIEMPRE** apague la bomba y desconecte la fuente de alimentación **ANTES** de desconectar el cableado de alimentación de la bomba. Se pueden producir cortocircuitos, chispas o arranques inesperados.

**⚠ ADVERTENCIA**

Tenga cuidado cuando haga funcionar la bomba. Las mangueras pueden ser un peligro de tropiezo; se debe tener cuidado cuando se mueva cerca de las mangueras para evitar tropiezos o enredos.

**⚠ ADVERTENCIA**

El conjunto de bomba se puede calentar con un uso prolongado. Tenga cuidado si debe tocar la bomba después de períodos de uso prolongado.

**Instrucciones de operación**

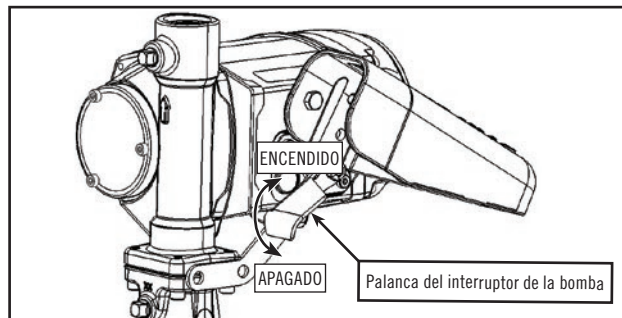
**AVISO**

El motor cuenta con alimentación eléctrica en todo momento cuando está conectado a una fuente de alimentación. El interruptor no proporciona ni interrumpe la alimentación eléctrica hacia el motor. La bomba podría aún tener alto voltaje después de retirar la alimentación eléctrica.

**PRECAUCIÓN**

Mantenga siempre la boquilla en contacto con el recipiente que se esté llenando durante el proceso de llenado para reducir la posibilidad de acumulación de electricidad estática.

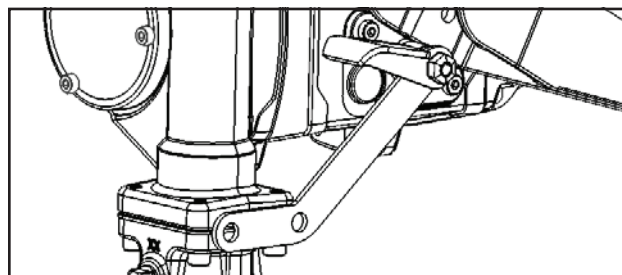
1. Retire la boquilla dispensadora de la envoltura de la boquilla.
2. Mueva la palanca del interruptor a la posición "ON" (alta) para encender la bomba. La bomba debería encenderse y quedar lentamente en funcionamiento inactivo.
3. Inserte la boquilla dispensadora en el recipiente que se llenará.
4. Opere la boquilla para dispensar el líquido; suelte la boquilla cuando haya dispensado la cantidad deseada de líquido.
5. Mueva la palanca del interruptor a la posición "OFF" (baja) para detener el motor.
6. Retire la boquilla dispensadora del recipiente que se está llenando y almacénela en la envoltura de la boquilla.



**Cierre con candado**

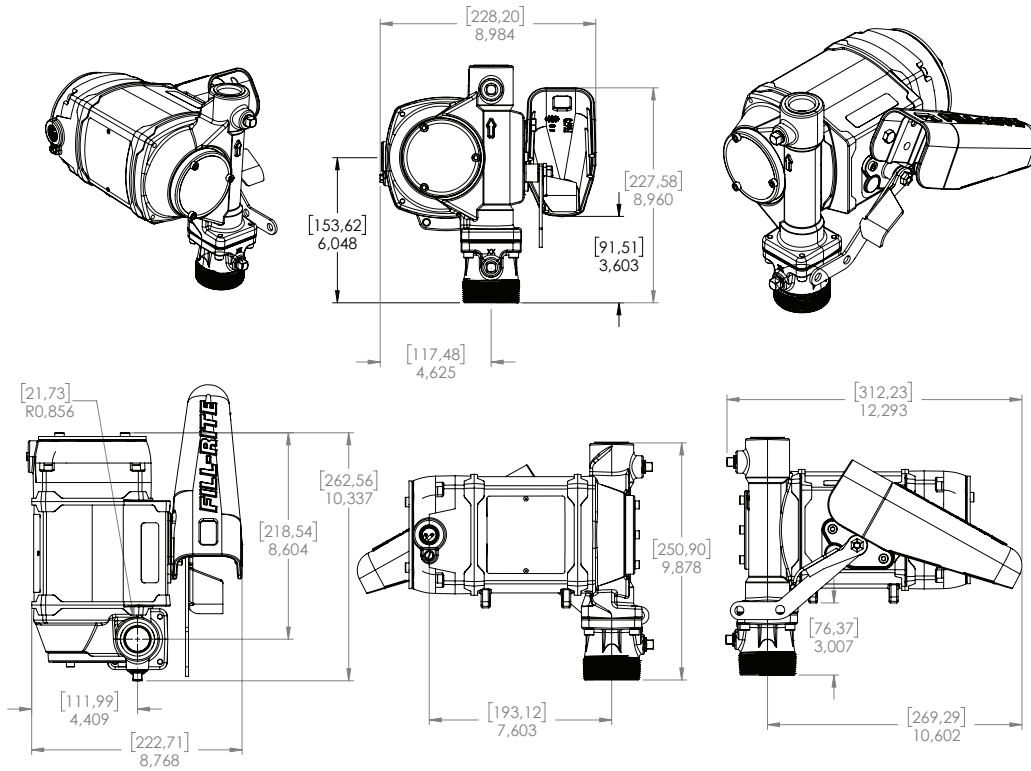
Para mayor seguridad, la boquilla de la bomba Fill-Rite se puede fijar con un candado a la bomba. Cuando la bomba está apagada, y la boquilla está en la posición de almacenamiento, se puede insertar un candado en el eslabón de bloqueo y la abertura del mango de la boquilla. Esta configuración evita que se pueda retirar la boquilla de su alojamiento.

El eslabón de bloqueo está ubicado en el lado de la boquilla de la bomba y se puede adaptar para que funcione la boquilla indicada con la etiqueta del barril de su bomba NX25-120 o NX25-240. Use la posición y el orificio adecuados para fijar la boquilla firmemente a la bomba de la Serie NX25-120 o NX25-240.

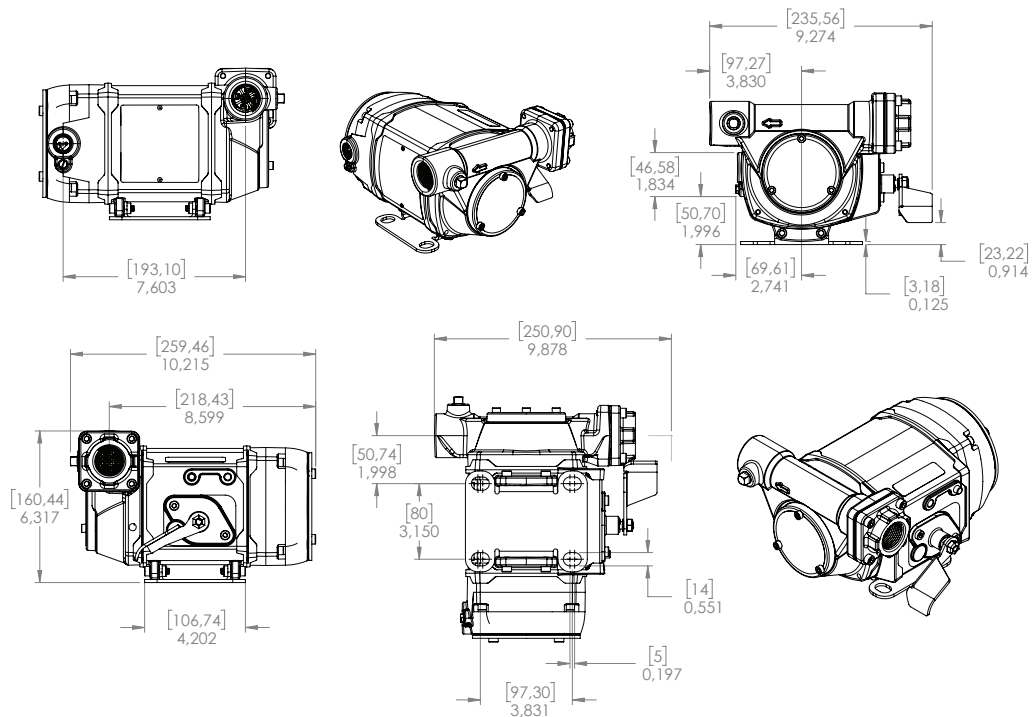


**Información de dimensiones de NX25-120 y NX25-240**

**Información de dimensiones de montaje en tanque**



**Información de dimensiones con pie de montaje**





**Información técnica**

Motor	Especificaciones
Alimentación	120 V CA/240 V CA 50/60 Hz
Clasificación de HP (potencia)	1/3
Amperios (FLA)	4,9 / 2,5
RPM	Variable 400 a 3500
Ciclo de servicio	Trabajo continuo para transferencia de combustible
Protección térmica	Protegido electrónicamente
Certificación	Motor UL / cUL

Bomba	Especificaciones
Diseño	Paleta rotatoria
LPM / GPM en la configuración provista	95 LPM /25 GPM*
Clasificación de presión de derivación (bar [PSI]): máx.	1,7 bar (25 PSI)
Vacío en seco (mm Hg [pulg. Hg])	279 (11)
Cabezal: máx.	14,8 m (48,5')
Entrada: tamaño / rosca	1-1/4" montaje en tanque / 1" pie de montaje (NPT y BSP disponible)
Salida: tamaño de rosca	1" NPT (BSP disponible)
Material de la entrada	Fundición de hierro
Montaje	Tapón de 2" NPT / Tapón de 2" BSP / Montaje con patas
Material: carcasa de la bomba	Fundición de hierro
Materiales: material húmedo	Fenólico, acero inoxidable, acero, acetal, termofraguado, BUNA-N, fluorocarburo, cerámica
Material del rotor	Hierro en polvo
Material de las pajetas	Acetal
Líquidos compatibles	Diesel, gasolina, biodiesel hasta B20, E15, keroseno, alcoholes minerales y metanol (hasta 15 %)
Tamaño de malla del filtro	20 x 20
Garantía	2 años
Temperatura nominal mínima	-40 °C / -40 °F

\*Agregar accesorios afectará la velocidad de flujo

**Accesorios**

Accesorios	Descripción
N100DAU13	Boquilla automática de flujo ultra alto de 1"
N100DAU13G	Boquilla automática de flujo ultra alto de 1" (Diesel)
N100DAU12	Boquilla automática de flujo alto de 1"
900CD	Medidor digital
900CDP	Medidor digital con generador de impulsos
FRH10020	Manguera de descarga estática de 1" x 6,1 m (20')
FRH10012	Manguera de descarga estática de 1" x 3,7 m (12')
S100H1315	Eslabón giratorio de capas múltiples de 1"
TT10AN	Medidor de turbina digital en línea de 1"

**Mantenimiento de la válvula de recirculación (Desmontaje)**

**⚠ ADVERTENCIA**

Desconecte la alimentación eléctrica y alivie la presión de las tuberías antes de realizar mantenimiento a la bomba. No hacer esto puede provocar daños en los equipos y lesiones corporales o la muerte.

**AVISO**

El retiro de la válvula de recirculación en la bomba NX25-DDC requiere atención especial; respete el procedimiento de reemplazo que se indica en las instrucciones del kit para reducir la posibilidad de dañar la carcasa de la bomba durante su retiro y reinstalación. Todos los kits comprados incluyen instrucciones.

La válvula de recirculación se ubica dentro de la carcasa de la bomba. Se accede a esta a través de las aberturas de entrada y salida.

Consta de tres componentes principales (Figura 1):

- A. Sujetador de la válvula de derivación
- B. Resorte de la válvula de derivación
- C. Válvula de derivación

1. Destornille la bomba del adaptador del tanque.
2. Utilice un objeto obtuso de unos 10 cm (4 pulg.) de largo (por ej.: una llave profunda en una extensión) insertado en la abertura de entrada para empujar la válvula de recirculación de manera firme hasta colocarla en el asiento donde se sella (Figura 2).
3. Mientras sujeta firmemente la válvula de recirculación en su lugar con la llave, inserte unas pinzas de puntas de aguja (de al menos 100 mm [4 pulg.] de largo) en la abertura de salida y agarre el sujetador de la válvula de recirculación (Figuras 2 y 3).
4. Presione el sujetador de la válvula de recirculación ligeramente hacia abajo y gírelo 90 grados en el sentido contrario al de las agujas del reloj. Esto alineará la ranura en el sujetador con la llave en la válvula y permitirá que pueda retirar el sujetador (Figura 2 y 3).

**Mantenimiento de la válvula de recirculación (Reensamblaje)**

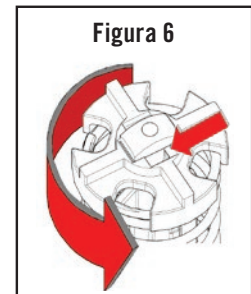
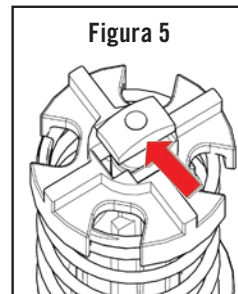
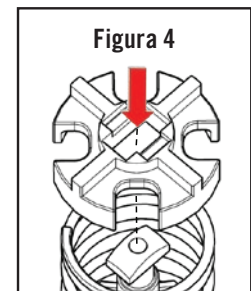
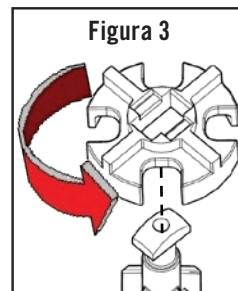
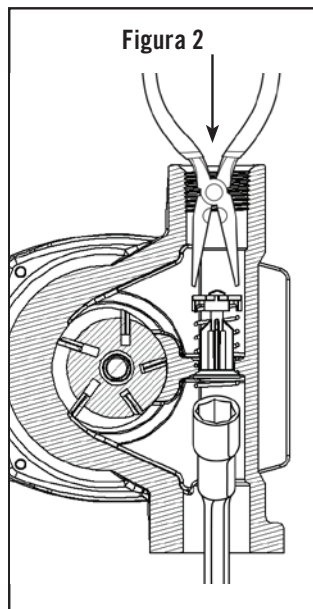
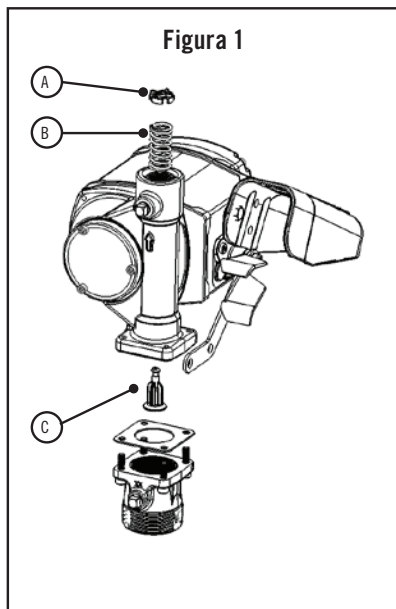
**⚠ ADVERTENCIA**

Siempre utilice protección para los ojos cuando observe la salida de la bomba; un sujetador de resorte de válvula que esté mal ubicado o mal instalado puede salir proyectado inesperadamente. Tenga presente que el uso de una linterna pequeña le ayudará a ver mejor y a alinear con mayor facilidad los componentes en este trabajo.

1. Con unas pinzas de puntas de aguja, coloque el sujetador de la válvula de recirculación en la parte superior del resorte de la válvula de recirculación. Alinee cuidadosamente la ranura en la parte superior del sujetador de la válvula de recirculación con la lengüeta de bloqueo en la parte superior de la válvula de recirculación (Figura 4).
2. Presione el sujetador de la válvula de recirculación hacia abajo sobre la lengüeta de bloqueo en la válvula de recirculación. Presione el sujetador hacia abajo (comprima el resorte) hasta que se encuentre por completo debajo de la lengüeta de bloqueo (Figura 5).
3. Gire el sujetador de la válvula de recirculación 90 grados hacia la izquierda y permita que el resorte lo empuje levemente hacia arriba hasta tocar la lengüeta de bloqueo. La lengüeta de bloqueo DEBE estar bien puesta en la muesca en el sujetador de la válvula de recirculación (Figura 6).

**⚠ ADVERTENCIA**

Es fundamental que la lengüeta de bloqueo esté bien ubicada en la muesca en el sujetador de la válvula de recirculación como se muestra. No hacer esto puede provocar que el sujetador se suelte cuando esté funcionando en modo de recirculación, que dañe potencialmente la bomba o que se expulse a través de la salida de la bomba cuando se realice el mantenimiento.



**Información específica del modelo**

Modelo	Voltaje	Montaje	Roscas	Paquetes de accesorios	Manguera	Boquilla	Medidor	Certificación
NX25-120NB-PX	120V	Tapón de 2" NPT	NPT	PX	-	-	-	UL/cUL
NX25-120NB-AA	120V	Tapón de 2" NPT	NPT	AA	1" x 5,5 m (18')	Automática de flujo ultra alto de 1"	-	UL/cUL
NX25-120NB-AB	120V	Tapón de 2" NPT	NPT	AB	1" x 5,5 m (18')	Automática de flujo ultra alto de 1"	900CD	UL/cUL
NX25-120NB-AC	120V	Tapón de 2" NPT	NPT	AC	1" x 5,5 m (18')	Automática de flujo ultra alto de 1"	900CDP	UL/cUL
NX25-120NF-AG	120V	Tapón de 2" NPT	NPT	AG	¾" x 3,6 m (12')	Boquilla automática de ¾" para gasolina sin plomo	-	UL/cUL
NX25-120NF-AH	120V	Tapón de 2" NPT	NPT	AH	¾" x 3,6 m (12')	Boquilla automática de ¾" para gasolina sin plomo	901C	UL/cUL
NX25-120NF-AJ	120V	Tapón de 2" NPT	NPT	AJ	1" x 5,5 m (18')	Automática de flujo ultra alto de 1"	901C	UL/cUL
NX25-120NF-PX	120V	Montaje con patas	NPT	PX	-	-	-	UL/cUL
NX25-120NF-AA	120V	Montaje con patas	NPT	AA	1" x 5,5 m (18')	Automática de flujo ultra alto de 1"	-	UL/cUL
NX25-240NF-PX	240V	Montaje con patas	NPT	PX	-	-	-	UL/cUL
NX25-240NB-PX	240V	Tapón de 2" NPT	NPT	PX	-	-	-	UL/cUL
NX25-240BF-PX	240V	Montaje con patas	BSP	PX	-	-	-	ATEX IECEx
NX25-240BB-PX	240V	2" BSP Bung	BSP	PX	-	-	-	ATEX IECEx

**Paquetes de accesorios disponibles**

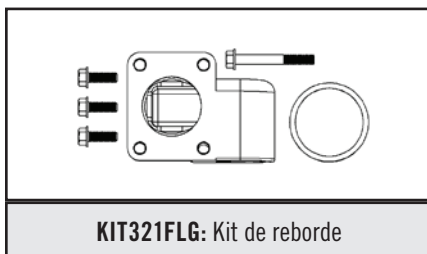
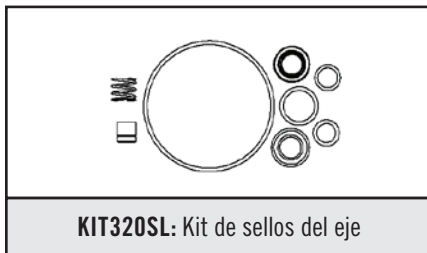
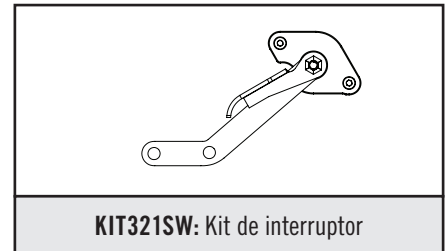
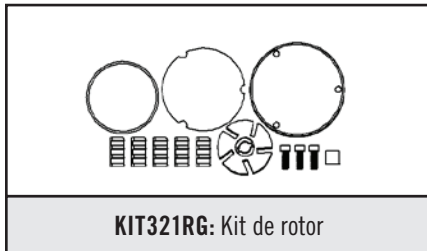
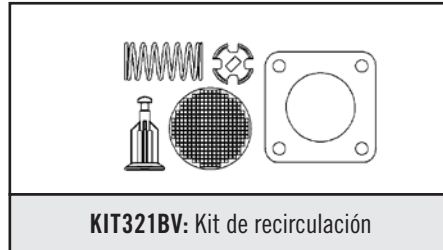
Tipo de accesorio	Elementos accesorios	Paquetes de accesorios						
		PX	AA	AB	AC	AG	AH	AJ
Solo bomba	Sin accesorios	X						
Manguera	Manguera de descarga estática de ¾" x 3,6 m (12')					X	X	
	Manguera de descarga estática de 1" x 5,5 m (18')		X	X	X			X
Medidor	Medidor mecánico 901C, 1" NPT					X	X	X
	Medidor digital 900CD, 1" NPT			X				
	Medidor digital 900CDP, 1" NPT				X			
Boquilla	Boquilla Automática de ¾" para gasolina sin plomo, Cubierta Roja					X	X	
	Boquilla de flujo ultra alto de 1", cubierta roja		X	X	X		X	X

**Información sobre repuestos**

Para reparaciones y mantenimiento de rutina, Fill-Rite ofrece las piezas que usted necesita. El siguiente diagrama y lista de piezas cubren todas las piezas que corresponden a su producto Fill-Rite. Dichas piezas se pueden obtener por medio de un distribuidor Fill-Rite autorizado. Asegúrese de utilizar solo piezas de repuesto originales de Fill-Rite para sus necesidades de servicio y mantenimiento. Si desea ver una lista de los distribuidores autorizados, visite nuestro sitio web [fillrite.com](http://fillrite.com).

**⚠ ADVERTENCIA**

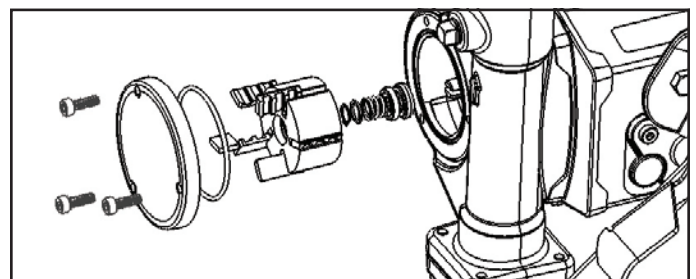
NO abra ni intente reparar el motor de su bomba NX25-DDC. Si abre la carcasa del motor, puede poner en peligro la integridad de la fabricación a prueba de explosión y anulará cualquier garantía y certificación existente (lista UL). Consulte la política de garantía ubicada en la página 2.



**Mantenimiento del rotor, las paletas y los sellos del eje**

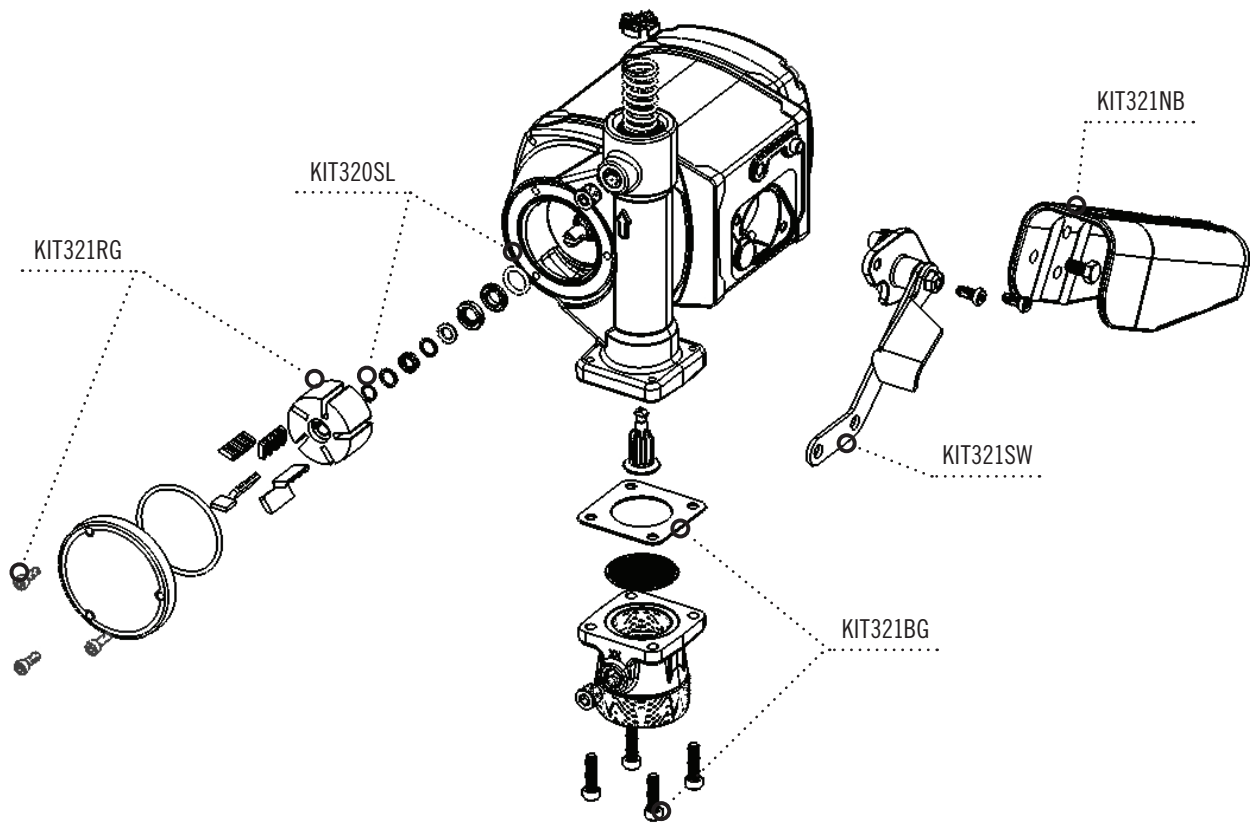
El rotor, las paletas y los sellos del eje se ubican dentro de la carcasa de la bomba y se accede a ellos a través de la cubierta del rotor que se encuentra en la superficie de la bomba. Esta se mantiene fija gracias al accionamiento de tres pernos hexagonales de fijación de 4 mm. Puede acceder al rotor y a las paletas para realizar inspección y limpieza, pero **NO** intente retirar los sellos del eje sin un kit de sellos nuevo para instalar.

Siempre inspeccione si hay mellas o daños en el sello de la cubierta del rotor o la superficie de acoplamiento (surco) antes de volver a montar. Asegúrese de que la junta tórica no esté apretada para evitar las fugas. Apriete las piezas metálicas de fijación a 5 N.m (44 lb-pulg.).

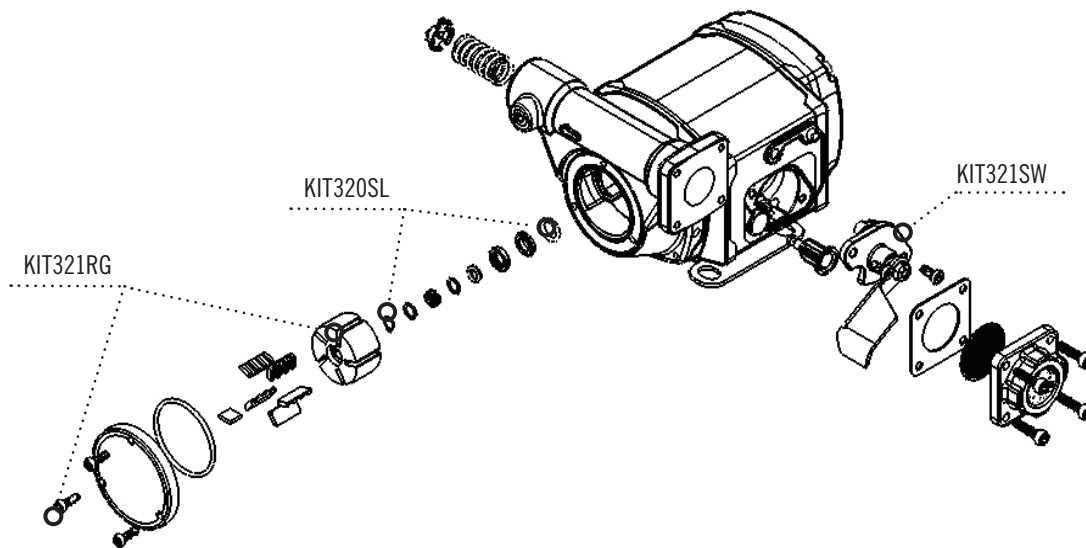


**Vista explotada de NX25-120 y NX25-240**

**Configuración de montaje en tanque**



**Configuración con pie de montaje**



**Solución de problemas**



Desconecte toda la alimentación eléctrica antes de realizar cualquier servicio técnico o mantenimiento. No desconectar la alimentación eléctrica puede causar descargas eléctricas o un arranque inesperado del motor, lo que podría ocasionar lesiones o la muerte.



NO abra ni intente reparar el motor de su bomba de la serie NX25-DDC. Si abre la carcasa del motor, puede poner en peligro la integridad de la fabricación a prueba de explosión y anulará cualquier garantía y certificación existente (lista UL). **Consulte la política de garantía ubicada en la página 2.**

Esta guía de solución de problemas proporciona asistencia de diagnóstico básico. Si tiene más dudas, comuníquese con nosotros al 1 (800) 720-5192 o por correo electrónico a FillRiteTech@fillrite.com (lunes a viernes de 8:00 a. m. a 5:00 p. m., hora del Este).

Síntoma	Causa	Solución
La bomba no ceba	1. Problema de la tubería de succión	Verifique si hay fugas o restricciones en la tubería de succión; puede tener un diámetro demasiado pequeño, ser demasiado larga o no ser hermética
	2. Bloqueo de las paletas	Verifique si hay mellas, daños, obstrucciones o desgaste excesivo en las paletas; reemplácelas según sea necesario
	3. Desgaste excesivo del rotor, las paletas, la cubierta del rotor o la carcasa	Inspeccione si hay desgaste excesivo del rotor, las paletas, la cubierta del rotor o la carcasa; reemplácelos según sea necesario
	4. Entrada o salida bloqueadas	Verifique si hay bloqueos en la bomba, la manguera, la boquilla y el filtro
	5. Plomería de entrada vertical u horizontal excesiva	Reduzca la distancia vertical u horizontal desde la bomba al líquido
	6. Válvula de recirculación atascada	Abra la válvula, retire los residuos
Capacidad baja	1. Suciedad excesiva en la rejilla	Retire y limpie la rejilla
	2. Problema de la tubería de succión	Verifique si hay filtraciones o restricciones en la tubería de succión; puede que sea de un diámetro muy pequeño, muy larga, que no sea hermética o muy baja verticalmente
	3. Desgaste excesivo del rotor, las paletas, la cubierta del rotor o la carcasa	Inspeccione si hay desgaste excesivo del rotor, las paletas, la cubierta del rotor o la carcasa; reemplácelos según sea necesario
	4. Daño en la manguera o la boquilla	Reemplace la manguera o la boquilla
	5. Nivel de líquido bajo	Rellene el tanque
	6. Filtro de salida obstruido	Reemplace el filtro
La bomba funciona lento	1. Bomba en recirculación	Funcionamiento normal; la bomba reduce naturalmente su velocidad en modo de recirculación
	2. Bloqueo de las paletas	Verifique si hay mellas, daños, obstrucciones o desgaste excesivo en las paletas; reemplácelas según sea necesario
	3. <b>Problema del motor*</b>	<b>Consulte la política de garantía</b>
	4. Restricciones excesivas de salida	Reduzca las restricciones de salida (por ejemplo, use una manguera más corta, retire el eslabón giratorio)
El motor se detiene / el interruptor se dispara	1. Cortocircuito en el cableado	Inspeccione si hay cortocircuitos en el cableado eléctrico y reemplácelo según sea necesario
	2. Desgaste excesivo del rotor o de las paletas	Verifique si hay mellas, daños, obstrucciones o desgaste excesivo en las paletas; reemplácelas según sea necesario
	3. Bloqueo del rotor de la bomba*	Limpie e inspeccione el rotor y las paletas; reemplácelos según sea necesario
	4. Residuos en la cavidad de la bomba	Elimine los residuos de la cavidad de la bomba

El **texto en negrita** indica reparaciones que no puede realizar el propietario; **consulte nuestra política de garantía en la página 2 para obtener instrucciones adicionales.**

\* Esta condición hará que el motor se apague.

**Tonos inteligentes**

La bomba NX25-DDC cuenta con un sistema de autodiagnóstico que le ayudará a resolver problemas en caso de ser necesario. La bomba emitirá una serie de tonos altos y bajos; simplemente debe contar los tonos altos y bajos para determinar qué condiciones existen.

Según la condición que detecte la bomba, emitirá un código de **3 tonos** o de **4 tonos**:

- **Los códigos de 3 tonos** indican una falla de la aplicación, relacionado con la instalación de la bomba, como un problema de cebado o de suministro de voltaje.
- **Los códigos de 4 tonos** indican una falla de la bomba, una condición fuera de los parámetros de funcionamiento de la bomba, como problemas de sobretemperatura o relacionados con los componentes electrónicos de la bomba.

Consulte la tabla a continuación para determinar qué condición detecta la bomba y cómo resolverla. En la tabla a continuación, las flechas que apuntan hacia arriba (↑) indican tonos altos, las flechas que apuntan hacia abajo (↓) indican tonos bajos; el orden determina qué desperfecto se detectó. Las condiciones que aparecen en **NEGRITAS** requieren de reparaciones que no se pueden realizar en campo y es necesario que la bomba se devuelva al fabricante.

**Fallas de 3 tonos** (Fallas de instalación o aplicación)

Tonos	Condición	Solución
↑ ↓ ↓	Bajo voltaje de la batería (apagado automático)	Cargue o reemplace la batería*
↑ ↓ ↑	Alto voltaje de la batería (apagado automático)	Conecte a una fuente de alimentación de 12 a 24 V CC*
↓ ↑ ↑	Rotor bloqueado (apagado automático)	Coloque el interruptor en la posición de apagado e inspeccione el rotor y las paletas*
↓ ↑ ↓	Falla de cebado, succión o elevación	Verifique si hay fugas en la tubería de succión, conexiones de entrada, restricciones de la plomería interior del tanque, altura de succión vertical excesiva o tanque vacío

**Falla de 4 tonos** (Fallas de las piezas metálicas)

Tonos	Condición	Solución
↓ ↑ ↑ ↑	<b>Falla de las piezas metálicas (apagado automático)</b>	<b>Resuelva como se indica a continuación**</b>
↓ ↑ ↓ ↓	Sobretemperatura de las piezas metálicas (apagado automático)	Apague la bomba y permita que se enfríe*
↓ ↓ ↑ ↑	Sobretemperatura del motor (apagado automático)	Apague la bomba y permita que se enfríe*
↓ ↓ ↑ ↓	<b>Sobrevoltaje del motor (apagado automático)</b>	<b>Resuelva como se indica a continuación**</b>
↓ ↓ ↓ ↑	<b>Subvoltaje del motor (apagado automático)</b>	<b>Resuelva como se indica a continuación**</b>

\* Esta condición hará que el motor se apague. Para reiniciar el motor, coloque el interruptor en la posición de apagado y luego en la de encendido.

\*\* **Antes de devolver la bomba al lugar de compra, realice este procedimiento:** Apague y desconecte la energía durante al menos un minuto. Vuelva a conectar el suministro de energía y coloque el interruptor en la posición de encendido. Verifique el funcionamiento adecuado de la bomba. Si este procedimiento no reinicia la bomba o si tiene dudas adicionales, comuníquese con Soporte técnico al 1 (800) 720-5192.

### ¡ATENCIÓN!

La siguiente información es para las bombas y medidores de la serie NX25-240B (diseñados para su uso fuera de los Estados Unidos y Canadá). Consulte la etiqueta de información que corresponde a su bomba para ver si esto aplica.

#### Materiales de construcción

Los materiales de construcción de la superficie exterior de la unidad son: acero zincado, fundición de hierro pintada, metal en polvo zincado, aluminio pintado, termoplástico, aluminio anodizado.

Los materiales de construcción de las piezas húmedas son: fundición de hierro, acero recubierto, acero inoxidable, fluorocarburo, nitrilo, corcho, metal en polvo, plástico termoendurecido, termoplástico, cerámica.

#### Reparación y mantenimiento

Comuníquese con el lugar de compra para solicitar reparación y mantenimiento por garantía.

#### Condiciones de uso específicas

- Consulte con el fabricante para obtener información acerca de las dimensiones de las juntas ignífugas, si es necesario.
- Los sujetadores especiales usados para fijar los pernos para la campana del extremo están hechos de sujetadores tipo Clase 12.9. Los sujetadores especiales usados para fijar la placa de cubierta están hechos de sujetadores tipo Clase 10.9.

#### Instalación

La bomba se debe instalar en conformidad con EN 60079-14 o IEC 60079-14, según corresponda.

Las siguientes agencias obtuvieron certificados de cumplimiento con la seguridad para productos vendidos fuera de EE. UU. y Canadá. Consulte la etiqueta en su producto para ver los datos particulares de cumplimiento.

#### Se usaron las siguientes normas para mostrar el cumplimiento en la Unión Europea:

EN IEC 60079-0:2018, Ed. 7 "Atmósferas explosivas: Parte 0: Equipos: Requisitos generales".

EN 60079-1:2014, Ed. 7 "Atmósferas explosivas: Parte 1: Protección de equipos mediante cajas ignífugas "d".

EN ISO 80079-36:2016, Ed. 1 "Atmósferas explosivas: Parte 36: Equipos no eléctricos para atmósferas explosivas: Método básico y requisitos".

EN ISO 80079-37:2016, Ed. 1 "Atmósferas explosivas: Parte 37: Equipos no eléctricos para atmósferas explosivas: Tipo no eléctrico de protección a través de seguridad constructiva "c", control de fuente de ignición "b", inmersión en líquido "k".

Directiva 2014/34/UE: "Equipos y sistemas de protección destinados al uso en atmósferas potencialmente explosivas".

Directiva 2011/65/UE: "Restricciones a la utilización de ciertas sustancias peligrosas en aparatos eléctricos y electrónicos".

2006/42/EC - "Maquinaria".

ISO 12100:2010: "Seguridad de las máquinas: Principios generales para el diseño; evaluación de riesgos y reducción de riesgos".

BS EN 809:1998+A1:2009: "Bombas y unidades de bombeo para líquidos. Requisitos comunes de seguridad".

#### Se usaron las siguientes normas para mostrar el cumplimiento de la certificación IECEx:

IEC 60079-0:2017, Ed. 7

IEC 60079-1:2014, Ed. 7

#### Información de la placa del motor

MODELO: NX25-240B

VOLTIOS: 230 CA

HP: 1/3

1,8 A

TRABAJO CONTINUO

RPM:3500

TEMP. DE FUNCIONAMIENTO T6

-40 °C ≤ Ta ≤ +40 °C

INS:B

CONSULTE LAS INSTRUCCIONES DEL DOCUMENTO DE INSTALACIÓN

CE2809

N.º DE SERIE Y FECHA DE FABRICACIÓN

Fill-Rite Trademark

8825 Aviation Drive

Fort Wayne, IN 46809 USA



II 2 G

Ex db IIA T6 Gb

UL 21 ATEX 2262X

IECEx 21.0031X

Ex db IIA T6 Gb



2809



ATEX

# FILL-RITE®

A GORMAN-RUPP COMPANY

Fill-Rite Company  
8825 Aviation Drive  
Fort Wayne, Indiana 46809 USA

T 1 (800) 720-5192

1 (260) 747-7524

F 1 (800) 866-4681



fillrite.com | soter.com | gormanrupp.com