

Installation Instructions

Sump Inspection Ports (4")

(SIP-4)

IMPORTANT: Please read all warnings and follow the installation instructions completely and carefully. Failure to do so may cause product failure, or result in environmental contamination due to liquid leakage into the soil, creating hazardous spill conditions.

WARNING - DANGER: Using electrically operated equipment near gasoline or gasoline vapors may result in fire or explosion, causing personal injury and property damage. Be sure that the working area is free from such hazards, and always use proper precautions.

Installation Instructions

Step #1:

Remove clear plastic window from port by turning counter clockwise. Place the SIP-4 Sump Inspection Port frame at desired location. Using a pencil, draw a line around the inside of the Ring. (See Figure 1).

Step #2:

Find the middle of the drawn hole and drill port hole using a 4 2" hole saw.

Step #3:

Mount the Inspection Port into the 4 2" hole. Using the Port as a template, drill screw holes into the sump, using a 5/32" drill bit.

Step #4:

Remove the Inspection Port frame and wipe sump surface clean to remove any dirt, grease, oil or foreign substances.

Step #5:

Using FlexWorks sealant (SL-1100), apply two 1/4" beads to the top of the sump frame. The first bead will go against the ports outside wall with the second going over the holes. (See Figure 2).

Step #6:

Install the Inspection Port on top of the Tank Sump. Align drilled holes accordingly.

Step #7:

Assemble the supplied screws through the port hole frame and cover. Thread on supplied nuts and tighten securely. DO NOT over tighten.

Step #8:

Wipe any excess sealant off and screw plastic window into frame. Allow sealant to cure 24 hours before putting product to use.

Mounts on FlexWorks Polyethylene or Fiberglass Sumps

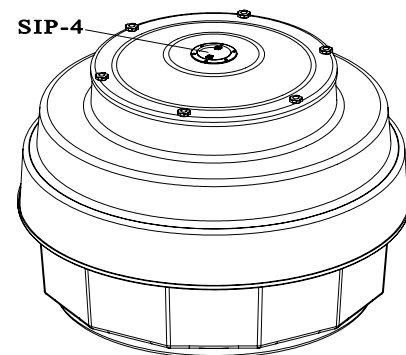


Figure 1

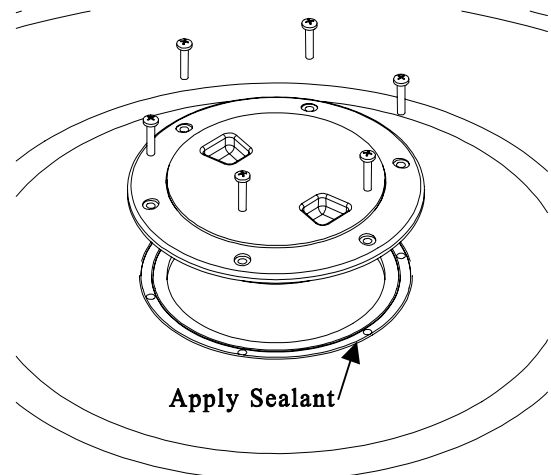


Figure 2

Notice: FlexWorks products must be used in compliance with applicable federal, state, and local laws and regulations. Product selection should be based on physical specifications and limitations and compatibility with the environment and material to be handled. OPW makes no warranty of fitness for a particular use. All illustrations and specifications in this literature are based on the latest production information available at the time of publication. Prices, materials, and specifications are subject to change at any time, and models may be discontinued at any time, in either case, without notice or obligation.

Product Warranty

OPW warrants that products sold by it are free from defects in materials and workmanship for a period of one year from the date of shipment by OPW. As the exclusive remedy under this limited warranty, FlexWorks by OPW, Inc., will at its sole discretion, repair, replace, or issue credit for future orders for any product that may prove defective within the one year period. This warranty shall not apply to any product that has been altered in any way, which has been repaired by any party other than a service representative authorized by OPW or when failure is due to misuse, conditions of use, or improper installation or maintenance. Neither OPW Fueling Containment Systems nor OPW shall in any instance have any liability whatsoever for special, incidental or consequential damages to any party and shall have no liability for the cost of labor, freight, excavation, clean up, downtime, removal, reinstallation, loss of profit, or any other cost or charges in excess of the amount of the original invoice for the products.

THIS WARRANTY IS IN LIEU OF ALL OTHER WARRANTIES, EXPRESS OR IMPLIED, AND SPECIFICALLY THE WARRANTIES OF MERCHANTABILITY AND FITNESS FOR A PARTICULAR PURPOSE. THERE ARE NO WARRANTIES WHICH EXTEND BEYOND THE DESCRIPTION ON THE FACE HEREOF.

IMPORTANT INFORMATION - FOLLOW ALL INSTRUCTIONS

Please contact your OPW-FCS sales representative or OPW-FCS customer service representative at 1-800-422-2525 for OPW-FCS products installation procedures. All OPW-FCS literature including installation instruction sheets and manuals can be accessed from the OPW-FCS website at: www.opwfcs.com.



OPW Fueling Containment Systems
3250 US 70 Business West
Smithfield, NC 27577
Customer Service: (800)-422-2525
Customer Service Fax: (800)-421-3297
Technical Questions: (919)-934-2786
Literature Requests: (919) 934-2786
www.opwfcs.com

