



DISPENSERS



FUEL KITS



PUMPS



METERS



NOZZLE



FILTRATION

K24-UL

FEATURES

- **UL-CERTIFIED**
- **BURSTING PRESSURE 1450 PSI**
- **LCD DISPLAY**
- **FLOW RATE INDICATION**
- **EASY TO CALIBRATE**

The PIUSI K24-UL, specifically designed to be compliant with UL/CSA requirements, is manufactured using high-quality materials compatible with gasoline, kerosene and diesel to be used in potentially explosive areas. This turbine flow meter is equipped with a 6-digit totalizer and partial reset.

PERFORMANCE

2-32

GPM

FLOW RATE

300 PSI

MAX OPERATING

PRESSURE

± 1%

ACCURACY

0.3%

REPEATIBILITY



K24-UL



PACKAGING

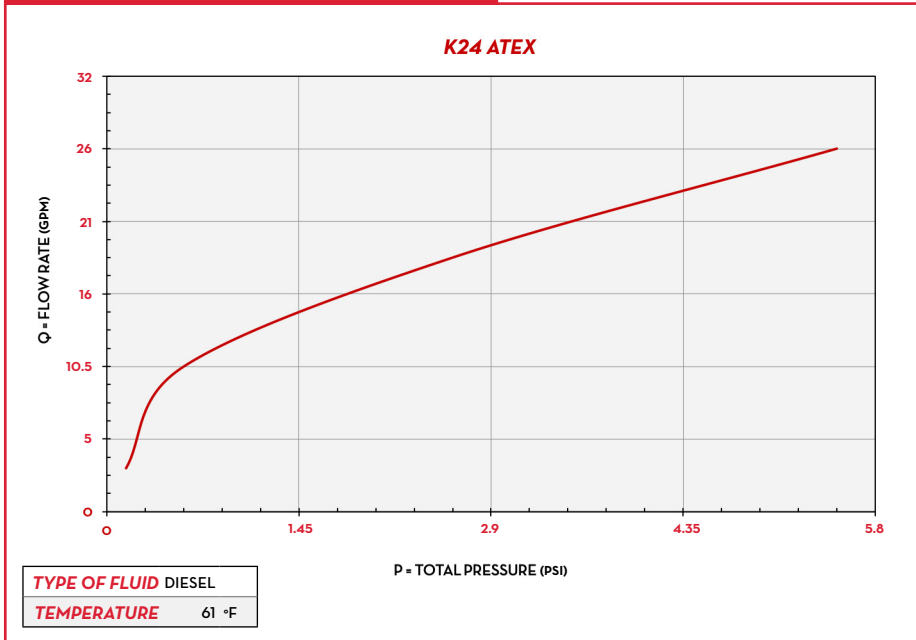
PART #	WEIGHT		PACKAGING		
	KG	LBS	MM	INCH	PCS/BOX
K24-UL					
FOO408UO	0,5	1,1	115X16OX135	4,5X6,3X5,3	1
K24-UL PULSER					
FOO408ZOO	0,5	1,1	115X16OX135	4,5X6,3X5,3	1



FLUID
MONITORING

- A
AIR
- A
ANTIFREEZE
- D
DEF
- B
BIODIESEL
- D
DIESEL
- F
FOOD
- G
GASOLINE
- G
GREASE
- K
KEROSENE
- O
OIL
- W
WATER
- W
WINDSCREEN

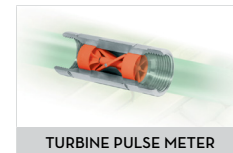
CHART



IN THE BOX

- K24 ATEX METER
- INSTRUCTION MANUAL

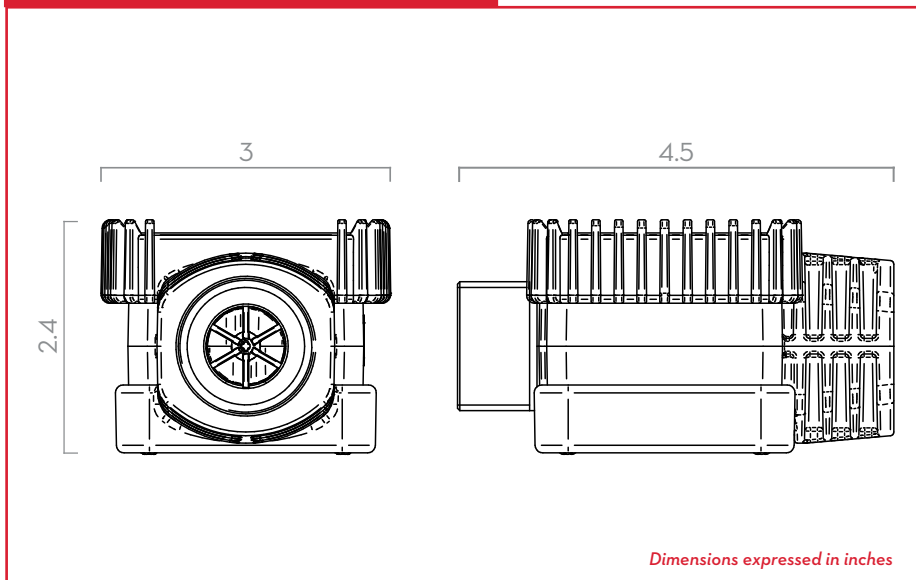
DETAILS



MATERIALS

- BODY: ALUMINUM
- GEARS: TECHNOPOLYMER

DIMENSIONS



TECHNICAL DATA

PART #	DESCRIPTION	FLUIDS TYPE	FLOW RATE		PRESSURE		SPECIAL BATTERY INCLUDED N° 13V LITHIUM	FLANGE	INLET / OUTLET
			L/MIN	GPM	BAR	PSI			
K24-UL									
FOO408UO	K24-UL FUEL METER 2-32GPM 1" NPT-M/F	D G K	7 - 120	2 - 32	20	300	YES	NO	M 1" NPT - F 1" NPT
K24-UL PULSER									
FOO408ZOO	K24-A FUEL PULSER 2-32GPM 1" NPT-M/F CUL	D G K	7 - 120	2 - 32	20	300	NO	NO	M 1" NPT - F 1" NPT

FLUIDS PERMITTED: DIESEL, KEROSENE, PETROL, PETROL ALCOHOL MIXED MAX 20%,
AVGAS 100/100LL (PUMP ONLY), JET A/A1 (PUMP ONLY) - ASPEN 2/4. UL CLASSIFIED VERSION AVAILABLE