



**Bennett**  
Simply Better.

**Parts List -- 3900 Fleetmaster and 4000 Heritage,  
Spec 2000 or Higher**

## Table of Contents

<b>Model Number Overview – Placing A Parts Order.....</b>	<b>4</b>
<b>Front View of the Outer Covering .....</b>	<b>6</b>
<b>End View of Outer Coverings and Parts .....</b>	<b>8</b>
<b>Upper Panel, End Views for Spec 2000.....</b>	<b>Error! Bookmark not defined.</b>
<b>Upper Panel, End Views for Spec 2001.....</b>	<b>Error! Bookmark not defined.</b>
<b>Upper Compartment Parts .....</b>	<b>Error! Bookmark not defined.</b>
<b>Computer (or Non-Computer) and Electric Reset .....</b>	<b>Error! Bookmark not defined.</b>
<b>Computer or Non-Computer &amp; Electric Reset Chart for USA.....</b>	<b>Error! Bookmark not defined.</b>
<b>Handle Linkage Parts .....</b>	<b>Error! Bookmark not defined.</b>
<b>Junction Box and Parts .....</b>	<b>Error! Bookmark not defined.</b>
<b>Chassis (Frame) Parts – Remote Dispenser.....</b>	<b>Error! Bookmark not defined.</b>
<b>Chassis (Frame) Parts – Self Contained Dispenser .....</b>	<b>Error! Bookmark not defined.</b>
<b>Meter, Outlet, Adapter Outlet, and Solenoid Valve Parts .....</b>	<b>Error! Bookmark not defined.</b>
<b>Inlet Parts .....</b>	<b>Error! Bookmark not defined.</b>
<b>Filters and Inlet Check Valve Assemblies .....</b>	<b>Error! Bookmark not defined.</b>
<b>SB100 Meter .....</b>	<b>Error! Bookmark not defined.</b>
<b>Type 75 Pumping Unit.....</b>	<b>Error! Bookmark not defined.</b>
<b>VR10 Extended Range Computer for U.S. Market.....</b>	<b>Error! Bookmark not defined.</b>

# DIN (Dispenser Identification Number) for Mechanical Dispensers

Customer: \_\_\_\_\_  
 Order Ver: \_\_\_\_\_

1	2	3	4	5	6	7	8	9	10	11	12	13	14	15	Bennett Pump to complete fields 16 thru 27				
															16	17	18	Field Position	Qty.
_____	_____	_____	_____	_____	_____	_____	_____	_____	_____	_____	_____	_____	_____	_____	_____	_____	_____	_____	
_____	_____	_____	_____	_____	_____	_____	_____	_____	_____	_____	_____	_____	_____	_____	_____	_____	_____		
4	0	1	2	R	G	E	R	A	S	P	N	N	L	S	X	X	X	Sample Pump	_____
															Country Code				
															Lower doors (See Box 4)				
															Lights (L = Lights, N= None)				
															Vapor recovery (B=Balanced N=None)				
															Pulser (See Box 6)				
															Prepay valves (N = None{only valid for 13,25}, P = Prepay valves)				
															Clock type (S = Standard V=VR10)				
															Electrical Requirements (See Box 3)				
															Motor (See Box 2)				
															Operation Type (E = electric reset C= Camac H= handcrank w/ Camac)				
															Measure (G=Gallons L=Liters)				
															Hydraulics (See Box 1)				
															Computer Type (40=Retail Mechanical 39=Volume Only Mechanical)				

- Sample Pump Description**
- 40 Retail
  - 12R Single Product -Single Hose Remote
  - G Gallon measure
  - E Electric Reset clock
  - R Remote (no motor)
  - A 115 V 60 hz
  - S Standard Clock VR10/4 Retail VR101 Volume
  - P Prepay valves
  - N No pulsers
  - N No vapor recovery
  - 1 Lights
  - S Stainless steel lower doors

**Box 1 Hydraulics**

- 12R = Single Product Single Hose Remote
- 22R = Two Product Two Hose Remote
- 24R = Single Product Two Hose Remote
- 13S = Single Product Single Hose 8-12 GPM Self Contained
- 13D = Single Product Single Hose 18-24 GPM Self Contained
- 25S = Two Product Two Hose 8-12 GPM Self Contained
- 25D = Two Product Two Hose 18-24 GPM Self Contained
- 27S = Single Product Two Hose 8-12 GPM Self Contained

**Box 6 Pulser Options**

- N = None
- T = 10:1 pulsers (0 for clock type only)
- H = 100:1 pulsers (0 for clock type only)
- V = Pulser Totalizer (1 for clock type only)

**Box 2 Motors**

- R = Remote
- A = 1/3 HP (Valid for 13S and 25S)
- B = 1/2 HP (Valid for 13S and 25S)
- C = 3/4 HP (Valid for 13D, 25D and 27S)
- D = 1/3 HP Tropicalized (Valid for 13S and 25S)
- E = 1/2 HP Tropicalized (Valid for 13S and 25S)
- F = 3/4 HP Tropicalized (Valid for 13D, 25D and 27S)

**Box 4 Lower Doors**

- B = Bennett Blue
- C = Customer Specified graphic set
- G = Bennett Green
- R = Bennett Red (Standard for Commercial Computers)
- S = Stainless Steel
- W = Bennett White ( Standard for Retail Computers)
- Y = Bennett Yellow

**Box 3 Electrical Requirements**

- A = 115 V 60 hz
- B = 230 V 60 hz
- C = 115 V 50 hz
- D = 230 V 50 hz
- E = 380 V 50 hz 3 phase motors w/ "D" valves and electronics

Operating Voltage: \_\_\_\_\_  
 Other: \_\_\_\_\_

Date: \_\_\_\_\_  
 cc: BOM, Gary Zang Completed: \_\_\_\_\_

## Model Number Overview – Placing A Parts Order

39xx or 40xx		Motor Size
XX12	Remote, 1-Product, 1-Hose	N/A
XX22	Remote, 2-Product, 2-Hose	N/A
XX24	Remote, 2-Product, 1-Hose	N/A
XX13	Self-Contained, 1-Product, 1-Hose	1/3HP Intermittent
XX13D	Self-Contained, 1-Product, 1-Hose, Heavy Duty	3/4HP Cont Duty
XX27	Self-Contained, 1-Product, 2-Hose	3/4HP Cont Duty
XX25	Self-Contained, 2-Product, 2-Hose	(2) 1/3 Intermittent
XX25D	Self-Contained, 2-Product, 2-Hose, Heavy Duty	(2) 3/4HP Cont Duty

3900 Fleetmaster series displays volume amounts only.  
 4000 Heritage series displays money & volume amounts.

3900 & 4000 is available in an alcohol compatible model for use with ethanol/methanol.  
 Parts for these units are NOT contained in this manual

All orders must include

- The part number, description, and quantity required.
- The complete “Ship To” Address.
- The complete “Bill To” Address.
- A signed Purchase Order.

Orders may be faxed to (231) 799-6202

Orders may be mailed to:

Bennett Pump Company or Bennett Commercial Pump Company  
 1218 E. Pontaluna Road  
 Spring Lake, Michigan 49456

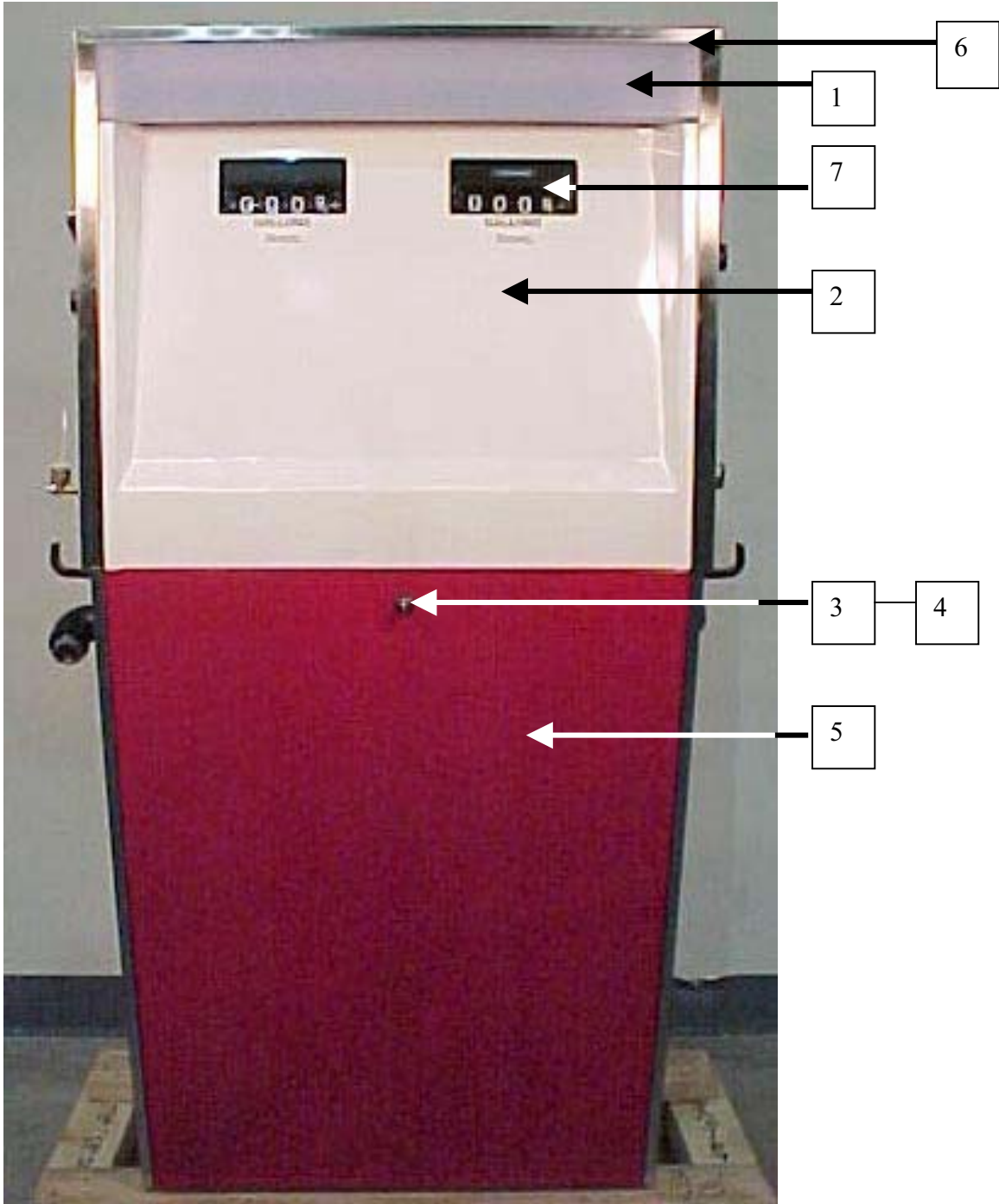
Parts orders are accepted only from authorized Bennett Pump Company or Bennett Commercial Pump Company distributors and service representatives.

**BENNETT PUMP COMPANY**  
**BENNETT COMMERCIAL PUMP COMPANY**  
 1218 E. Pontaluna Road  
 Spring Lake, Michigan USA 49456  
 Tel: in USA (800) 235-7618  
 Technical Service Help in USA: (800) 423-6638  
 Tel if outside USA: (231) 798-1310  
 Fax: (231) 799-6202

Email for technical service: [techhelp@bennettusa.com](mailto:techhelp@bennettusa.com)  
 General email: [sales@bennettusa.com](mailto:sales@bennettusa.com)

This Page Intentionally Blank

**Front View of the Outer Covering**

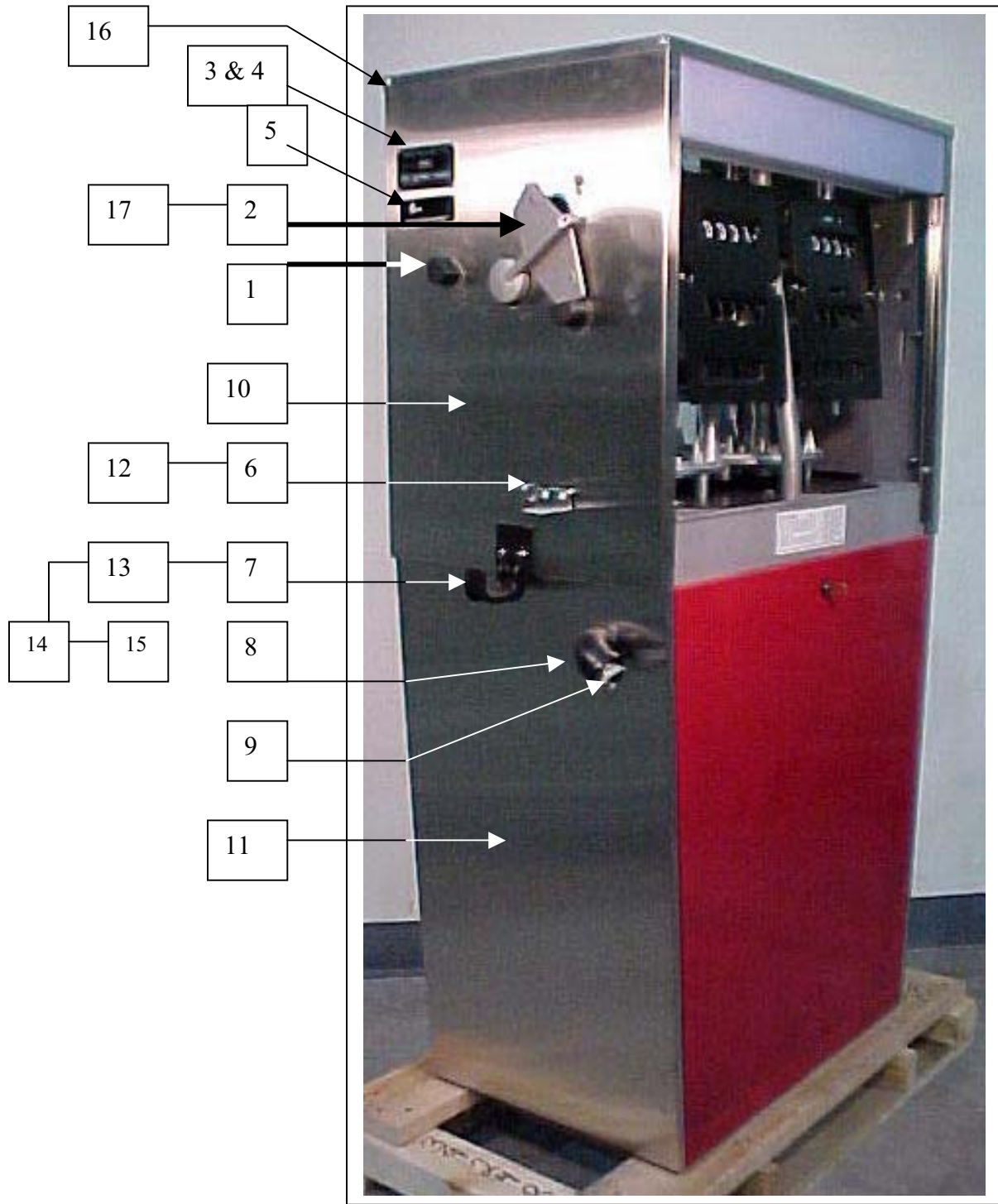


**Shown Above  
3924 1-Product, 2-Hose Outlets, with Gallon Upper Covers**

## Front View Of Outer Coverings - Descriptions

Ref. No.	Part No.	Description	Qty.
1	104567 105398	Lens, Ad Panel (spec 2000) 24.95" at widest point Lens, Ad Panel (spec 2001 & up) 25.32" at widest point  NOTE: Both Lens shown above are plain, no screening. For screened lens with product names or special graphics, Consult Factory.	2
2	3900 / 4000 Series  104686 / 105131 105188 / 105172 105406 / 105480 / 104685 / 105130 105198 / 105182 105408 / 105482 / 104684 / 105129 105193 / 105177 105407 / 105481 /	<u>NOTE: Covers do not include Item #7 lens (order lens separately)</u> Cover, White – No Screening (Twins) Cover, White—Black Screened for Gallons (Twins) Cover, White—Black Screened for Liters (Twins) Cover, White—Black Screened for Litros (Twins) Cover, Right Opening, White—No Screening (Singles) Cover, Right, Black Screened for Gallons (Singles) Cover, Right, Black Screened for Liters (Singles) Cover, Right, Black Screened for Litros (Singles) Cover, Left Opening, White—No Screening (Singles) Cover, Left, Black Screened for Gallons (Singles) Cover, Left, Black Screened for Liters (Singles) Cover, Left, Black Screened for Litros (Singles) --For Other Colors or Screening, Consult Factory--	2 2 2 2 1 1 1 1 1 1 1 1 1 1
3	100437	Key	1
4	100375 105128	Lock (includes lock, hex nut, & screw) Cam (arm that engages the lower door & upper cover)	2 2
5	105242 104568 105298 105554 105661 105281	Lower Door, RED (lock is not included with any doors) WHITE GREEN BLACK YELLOW STAINLESS STEEL --For special colors or screened doors, Consult Factory--	2 2 2 2 2 2
6	104570	Top Housing (Stainless Steel)	1
7	104823	Lens, Upper Cover, 11.25" x 8.75"  (NOTE: Lens has double backed adhesive tape for easy installation on back of Covers (items #2)	4 for twin 2 for Single

**End View of Outer Coverings and Parts**



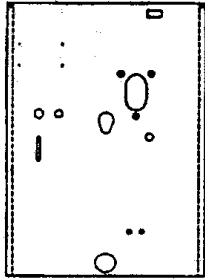
**Shown Above  
3924 1-Product, 2-Hose Outlets, Electric Reset**



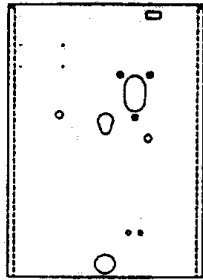
## End View of Outer Coverings and Parts - Descriptions

Ref. No.	Part No.	Description	Qty.
1	J704501 A217401 A215001	Handle Stop Screw Washer	[2 Single 4 Twin]
2	H551201 A310701	Handle, Electric Reset Models Knob for handle, CamAc Manual Reset Models	[1 Single 2 Twin]
3		Model & Serial Plate (not available as a service part)	1
4	A401101	Pop Rivet	4
5		Label, Underwriters Listing (not available as a service part)	1
6	J560101	Nozzle Holder	1 Single 2 Twin
7	J862901	Hose Hook	1 Single 2 Twin
8	N741301	Elbow, painted black	1 Single 2 Twin
9	A583701	Reducer 1" x ¾"	1 Single 2 Twin
10	104589 105389  104588 105390  104593 105388	Panel, upper, electric reset (Spec 2000) Panel, upper, electric reset (Spec 2001)  Panel, upper, Cam-Ac Manual Reset (Spec 2000) Panel, upper, Cam-Ac Manual Reset (Spec 2001)  Panel, upper (opposite the hose side) (Spec 2000)-Singles Panel, upper (opposite the hose side) (Spec 2001)-Singles  NOTE: See Model Plate for Spec Number NOTE: See following pages for more panels	[1 Single 2 Twin]  [1 Single 2 Twin]  1 1
11	104572  104573	Panel, lower, outlet side  Panel, lower, (opposite the hose side)-Singles	1 Single 2 Twin  1
12	A414501	Screw (per nozzle holder)	2
13	A128601	Screw (per hose hook)	2
14	A214701	Washer (per hose hook)	2
15	A219008	Nut (per hose hook)	2
16	A414501	Screw, button head SOC Cap (per top cover)	4
17	A279601	Pin, Spirol (per handle)	1

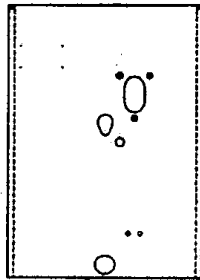
# Upper Panel, End Views for Spec 2000



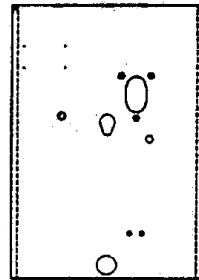
LOCAL PRESET  
WITH KEY RESET  
P.N. 105127  
WITH TOTALIZER  
HOLES A, B, C, & D



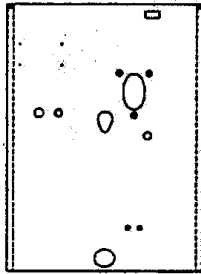
STD GO  
P.N. 105124  
WITH TOTALIZER  
HOLES A & D



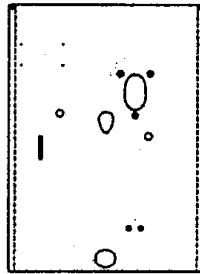
CAM AC  
P.N. 104588  
HOLE E



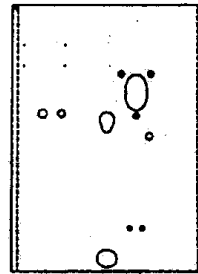
E. RESET/STD GO  
P.N. 104589  
HOLE A



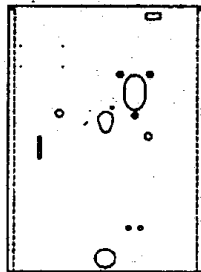
KEY RESET  
P.N. 105126  
WITH TOTALIZER  
HOLES A, C, & D



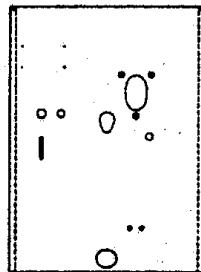
LOCAL PRESET  
P.N. 104590  
HOLES A & B



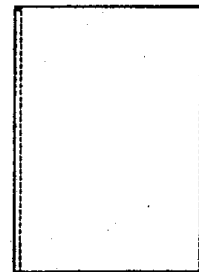
KEY RESET  
P.N. 104591  
HOLES A & C



LOCAL PRESET  
P.N. 105125  
WITH TOTALIZER  
HOLES A, B, & D



LOCAL PRESET  
WITH KEY RESET  
P.N. 104592  
HOLES A, B, & C



PLAIN  
P.N. 104593  
NO END HOLES

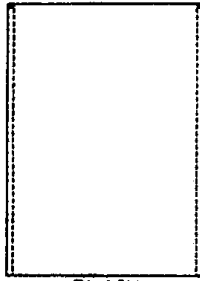
Above are for Spec 2000 Only

SEE PRINT P-0297 FOR SPEC 2001 PARTS

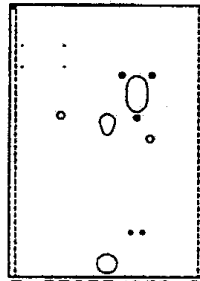
LP, KR WITH TOTALIZER	105127
KEY RESET W/TOTALIZER	105126
LOCAL PRESET W/TOTALIZER	105125
GO WITH TOTALIZER	105124
PLAIN	104593
LOCAL PRESET W/KEY RESET	104592
KEY RESET	104591
LOCAL PRESET	104590
ELECTRIC RESET	104589
CAM AC	104588

NAME UPPER SKIN	
SPEC 2000	
WFL NOTED	
<b>BENNETT</b>	D P-0174
Spring Lake Michigan 49456	SIZE DRAWING NUMBER

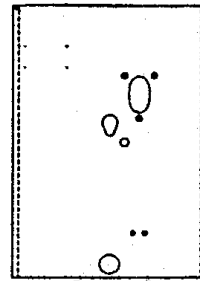
# Upper Panel, End Views for Spec 2001



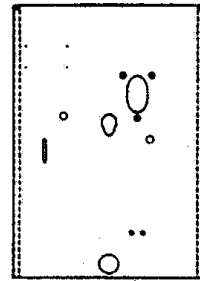
PLAIN  
P.N. 105388  
NO END HOLES



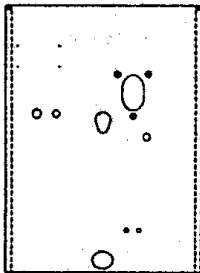
E. RESET/STD GO  
P.N. 105389  
HOLE A



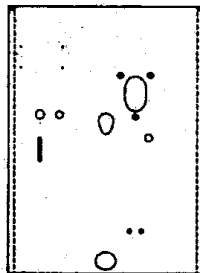
CAM AC  
P.N. 105390  
HOLE E



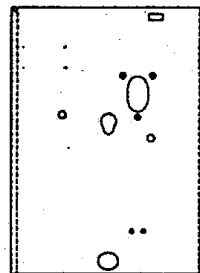
LOCAL PRESET  
P.N. 105391  
HOLES A & B



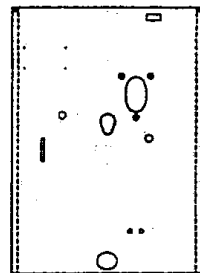
KEY RESET  
P.N. 105392  
HOLES A & C



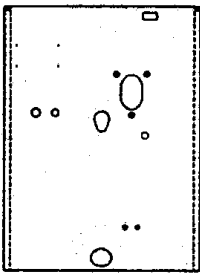
LOCAL PRESET  
WITH KEY RESET  
P.N. 105393  
HOLES A, B, & C



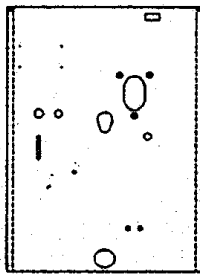
STD GO (NO VAPOR)  
P.N. 105394  
WITH RHT TOTALIZER  
HOLES A & D



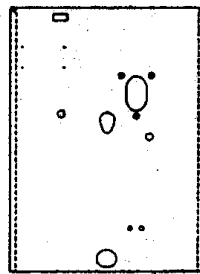
LOCAL PRESET  
P.N. 105395  
WITH RHT TOTALIZER  
HOLES A, B, & D



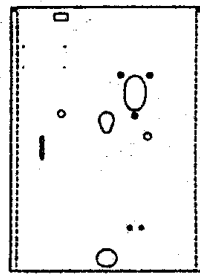
KEY RESET  
P.N. 105396  
WITH RHT TOTALIZER  
HOLES A, C, & D



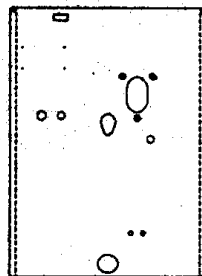
LOCAL PRESET  
WITH KEY RESET  
P.N. 105397  
WITH RHT TOTALIZER  
HOLES A, B, C, & D



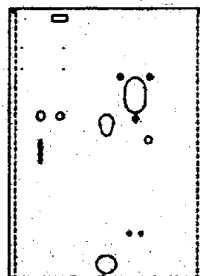
STD GO  
P.N. 105864  
WITH LEFT TOTALIZER  
HOLES A & G



LOCAL PRESET  
P.N. 105865  
WITH LEFT TOTALIZER  
HOLES A, B, & G



KEY RESET  
P.N. 105866  
WITH LEFT TOTALIZER  
HOLES A, C, & G

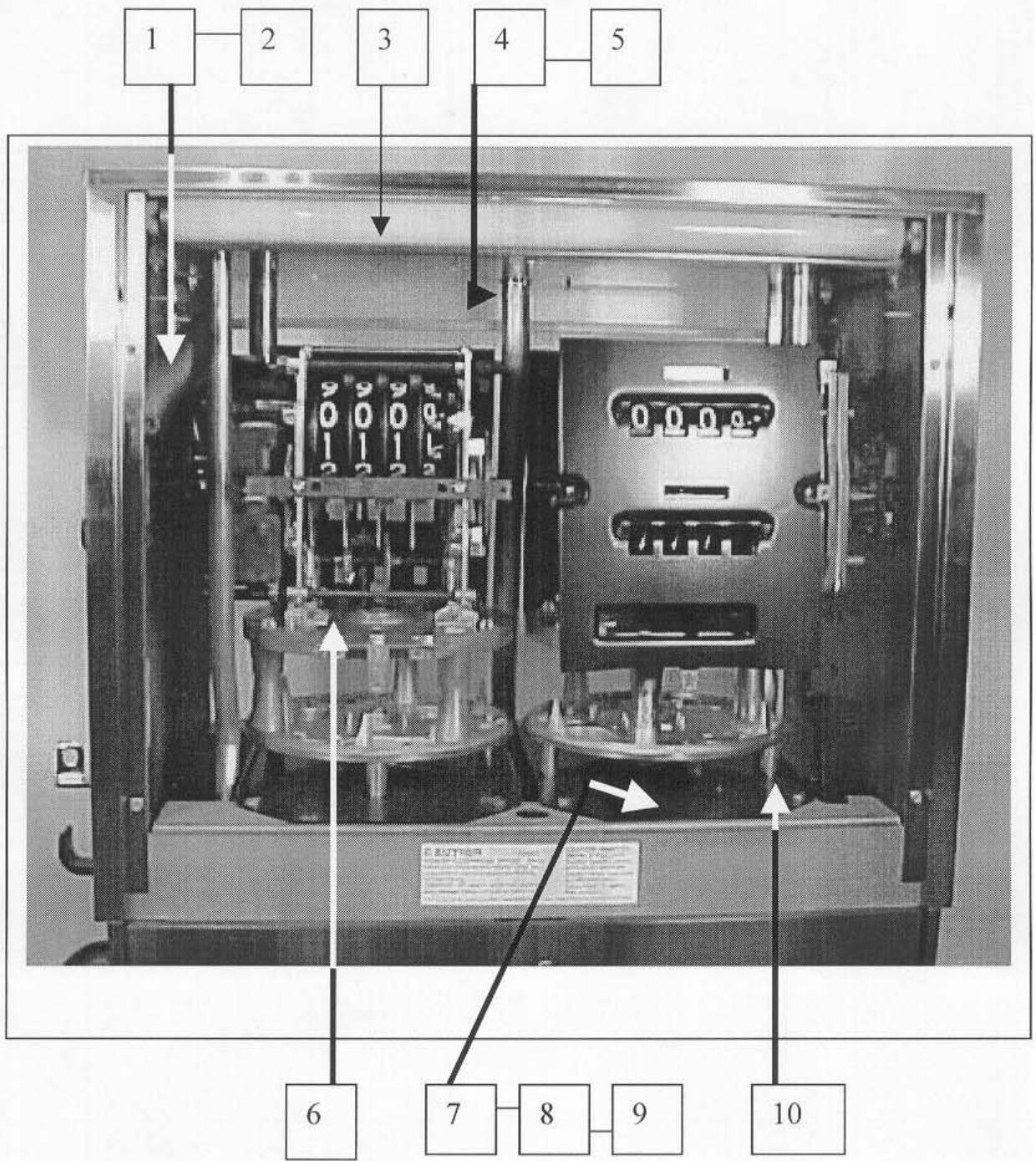


LOCAL PRESET  
WITH KEY RESET  
P.N. 105867  
WITH LEFT TOTALIZER  
HOLES A, B, C, & G

These parts are for Spec 2001 Only  
See Print P-0174 for Spec 2000

LP,KR WITH LEFT TOTALIZER	105867
KEY RESET W/LEFT TOTALIZER	105866
LOCAL PRESET W/LEFT TOTALIZER	105865
GO WITH LEFT HAND TOTALIZER	105864
LP,KR WITH RIGHT TOTALIZER	105397
KEY RESET W/RIGHT TOTALIZER	105396
LOCAL PRESET W/RIGHT TOTALIZER	105395
GO WITH RIGHT HAND TOTALIZER	105394
LOCAL PRESET W/KEY RESET	105393
KEY RESET	105392
LOCAL PRESET	105391
CAM AC	105390
ELECTRIC RESET	105389
PLAIN	105388

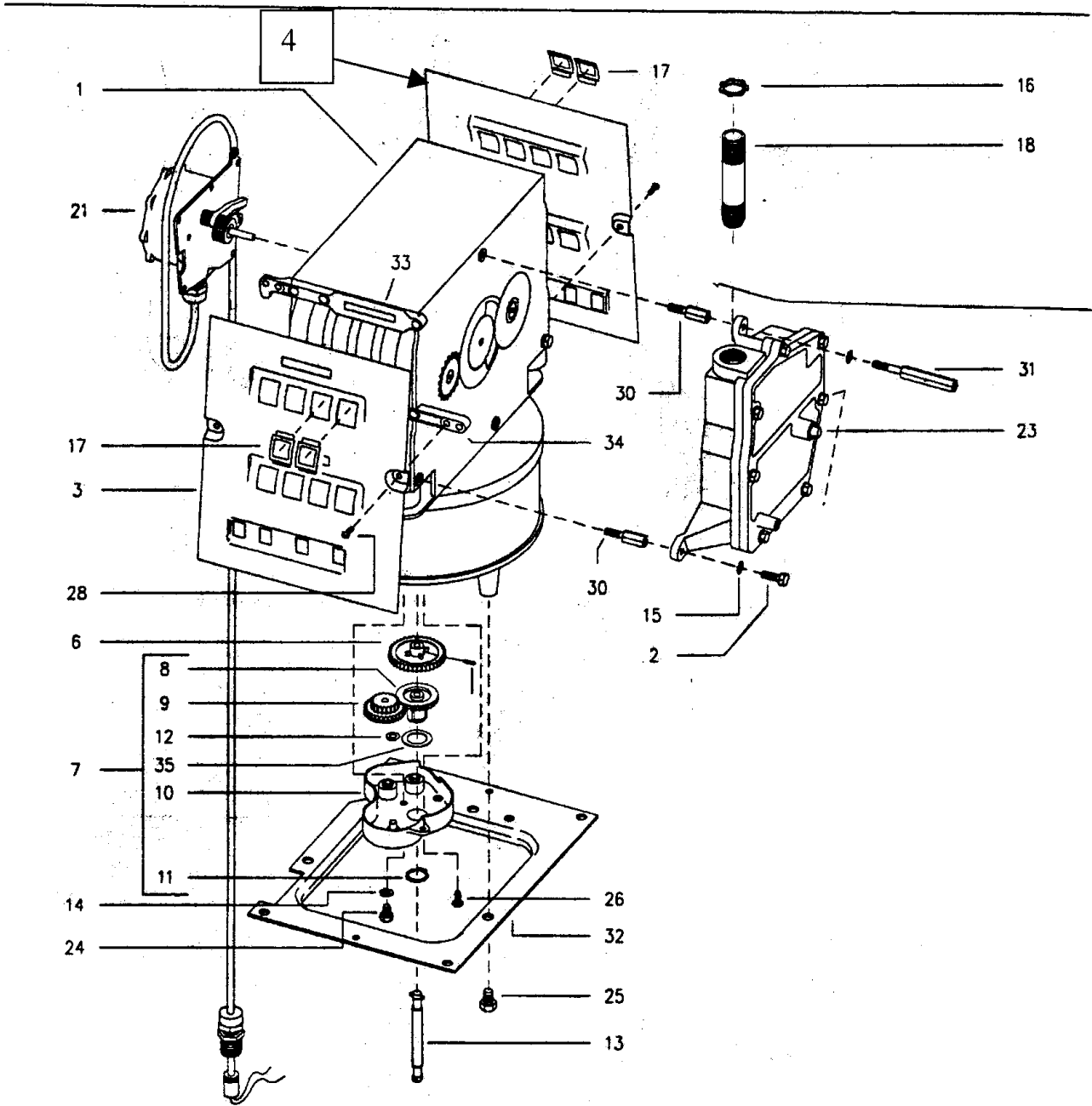
# Upper Compartment Parts



Upper Compartment Parts – Descriptions

<b>Ref. No.</b>	<b>Part No.</b>	<b>Description</b>	<b>Qty.</b>
1	J092201	Nozzle Boot	1 Single 2 Twin
2	105615	Cap Screw (per nozzle boot)	3
3	A253301	Lamp, fluorescent F20T12-CW (Optional Item)	2
4	104822	Conduit, 3/4" for field wiring	1
5	104358	Nut-Lock (per field wiring conduit)	2
6		Computers and Resets – See Separate Page	
7	104563	Support-Computer (per computer)	1
8	A161701	Screw, Hex Hd Cap (per support)	4
9	A219104	Nut, Hex (per support)	4
10	A137901	Screw, Hex Hd Cap (per computer)	3

# Computer (or Non-Computer) and Electric Reset



Spec 2000 & Up - Pulser wires come out of top of pulser, and are routed through a conduit nipple into the ballast box.

20

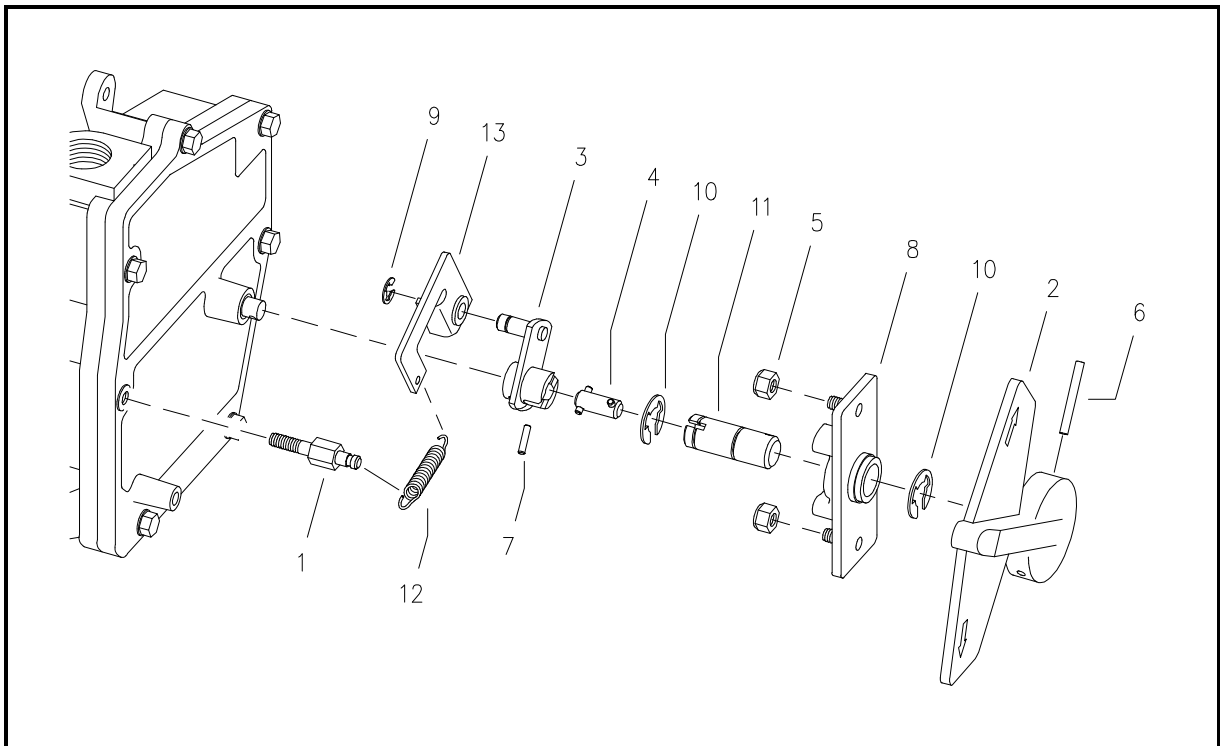
### Computer (or Non-Computer) and Electric Reset - Descriptions

Ref. No.	Part No.	Description	Per Computer Qty.
1		Computers or Non-Computers with electric reset, see chart on next page.	
2	-----	Bolt (Veeder-Root #503612-004)	1
3	J982101P01	Computer Dial Face w/ totalizer slot	1
4	J982102P01	Computer Dial Face (no totalizer slot)	1
5		N/A	
6	H896201 746M011501 J516301	Gear, U.S. Gallons—White Gear, Liters (Slow)—Metal Gear, Liters (High)—Black	1 1 1
7	H943391 H943302 H943303	Gear Box Assembly, US Gallons – White Gear Gear Box Assembly, Liters (Slow) – Metal Gear Gear Box Assembly, Liters (High) – Black Gear	1 1 1
8	H895901	Gear	1
9	H896101 H329303 J516401	Gear, Intermediate U.S. Gallons – White Gear, Liters (Slow) - Metal Gear, Liters (High) – Black	1 1 1
10	H902601	Gear Box Housing	1
11	A199401	Retaining Ring	1
12	746M011001	Washer	1
13	E991905 E991904	Link (spec 200x), Computer w/ gear box Link, (Spec 200x) Computer without gearbox	1
14	A062301	Lockwasher	2
15	-----	Lockwasher (Veeder-Root #510003-006)	1
16	105057	Locknut for ¾" #105057 conduit (spec 200x)	1
17	H988101	Mask	2
18	105057	Nipple (conduit ¾") and Wire Assm	1
19	E047711	Pin, Taper Groove	1
20	H951201	(not shown) Conduit Nipple and Sealant	1
21	105279 105280	Pulser Kit, 10:1 Pulser Kit, 100:1	1
22		N/A	
23	J210001 104647	Reset, Electric, 115volt Reset, Electric, 230volt	1 1
24	746M010701	Screw, Spec Shoulder	2
25	A137901	Screw, Hex Hd Cap	1
26	A219701	Screw and Lockwasher	1
27		N/A	
28	A235601	Screw (2 per Computer Face)	4
29		N/A	
30	-----	Stud, Short (Veeder-Root #314841-001)	3
31	-----	Stud, Long (Veeder-Root #877040-422)	2
32	104563	Support, Computer	1
33	-----	Totalizer for Non-Computer (Gallons). VR #76763-125	1
34		N/A	
35	746M010801	Washer	1

### Computer or Non-Computer & Electric Reset Chart for USA

Ref No.	Part No.	Description	Qty per Hose
1	105327	Non-Computer w/ Electric Reset (Gallons or Liters (high)), 115volt Electric Reset	1
1	105331	Non-Computer w/ Electric Reset (Liters (high), 230volt Electric Reset	1
1	105243 105329	VR10/4 Computer, Elec Reset, & Gear Box (115v) VR10/4 Computer & Elec Reset (115v)	1
1	105295 105330	VR10 Computer, Elec Reset, & Gear box (115v) VR10 Computer & Elec Reset (115v)	1
		NOTE: For other computers or non-computers, consult factory for part numbers.  NOTE: For detailed information on VR10 Extended Range Computers, see bulletin at the end of this parts manual.	

### Handle Linkage Parts

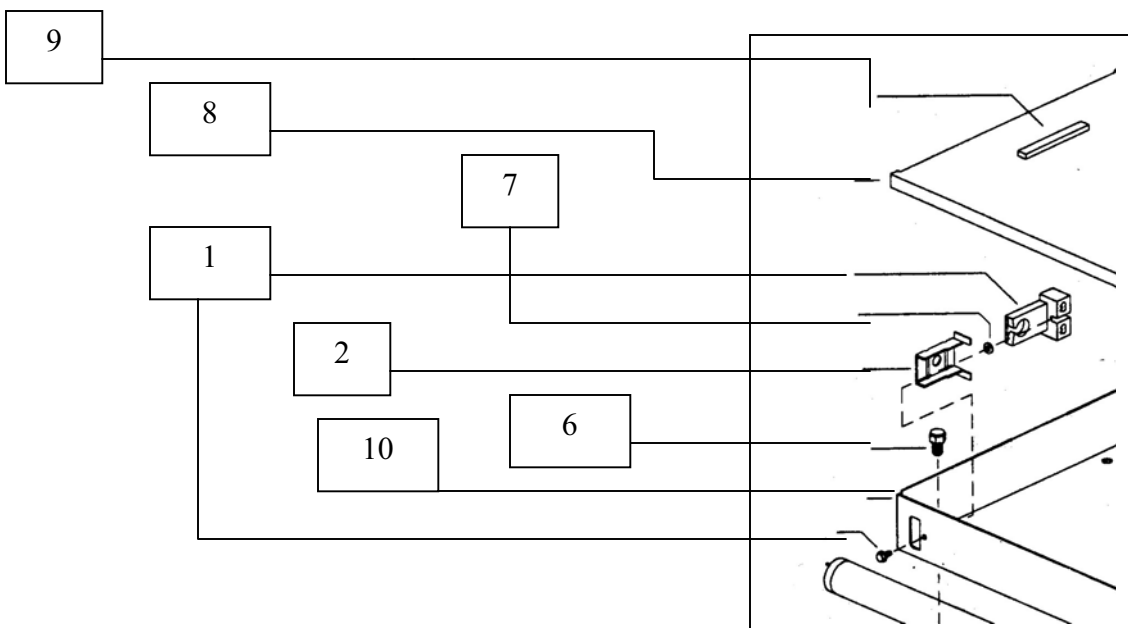
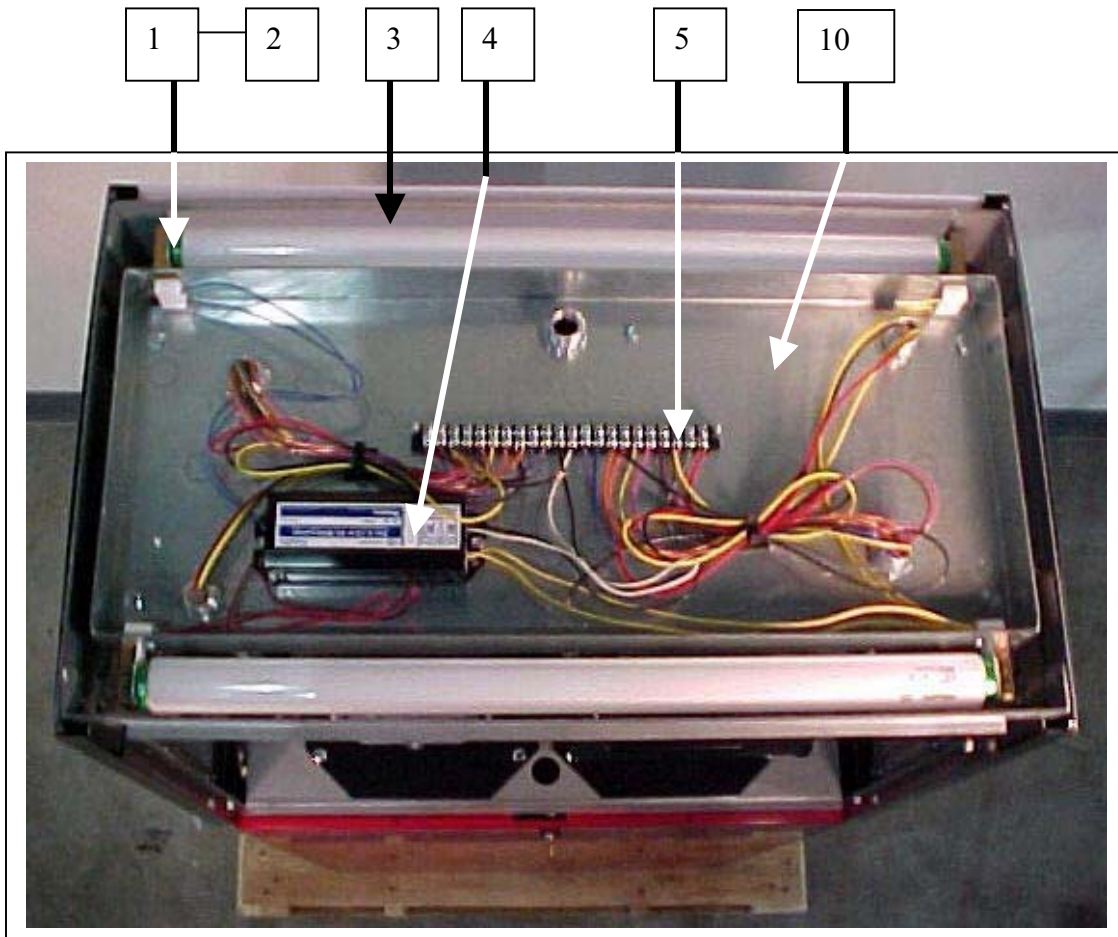




## Handle Linkage Parts - Descriptions

REF · No.	PART NO.	DESCRIPTION	QT
1	J593301	ANCHOR	1
2	H551202	HANDLE, ELECTRIC RESET	1
3	J293501	LEVER AND COUPLING ASSEMBLY	1
4	J849101	LINK, UNIVERSAL	1
5	A219010	NUT AND LOCKWASHER	2
6	A279601	PIN, SPIRAL	1
7	510105-	PIN, GROOVE	1
8	178	PLATE AND BEARING ASSEMBLY	1
9	J337801	RING, RETAINING	1
10	A194601	RING, RETAINING	2
11	A213501	SHAFT	1
12	N044301	SPRING	1
13	J696601	YOKE AND BEARING ASSEMBLY	1
	J733501		

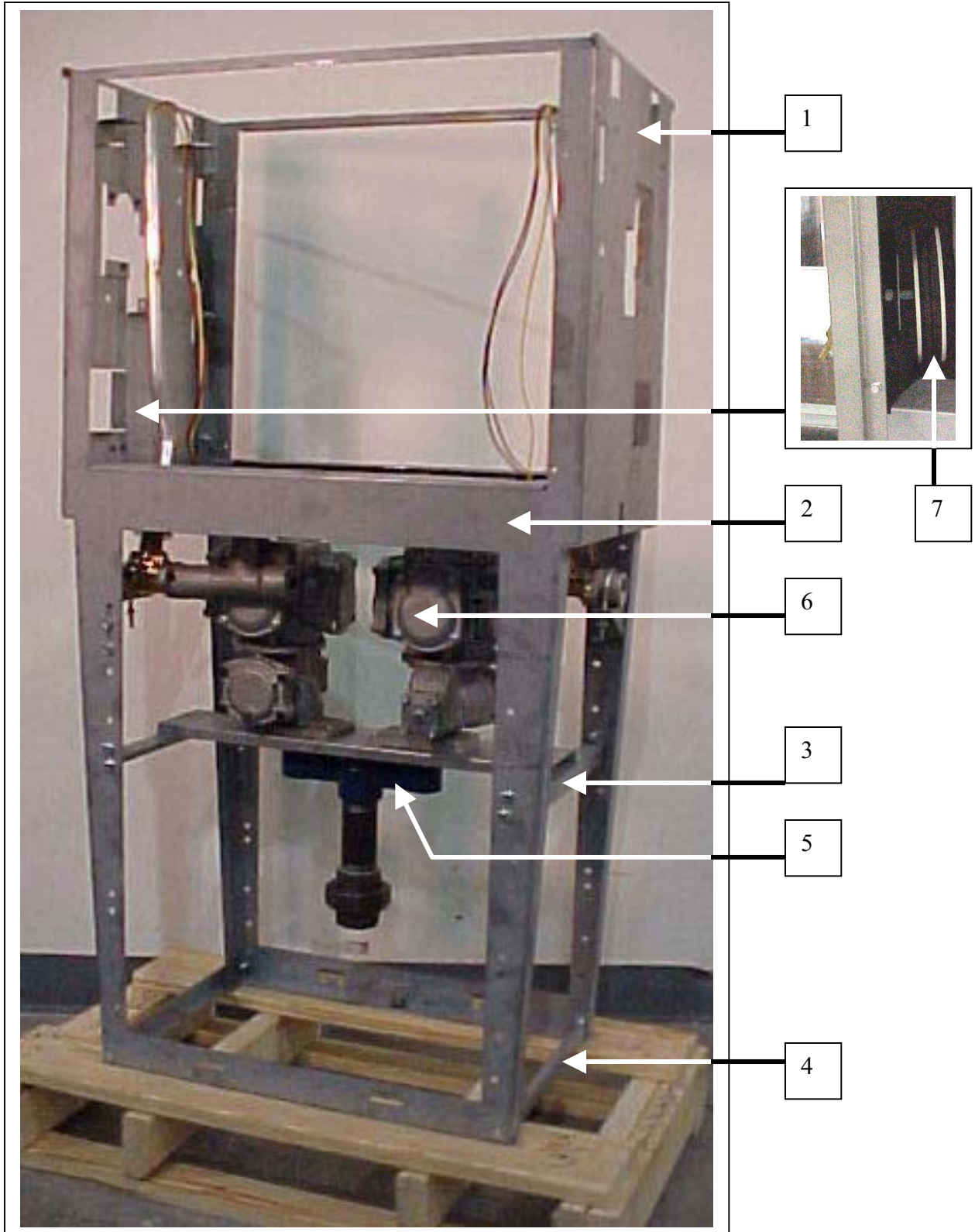
### Junction Box and Parts



## Junction Box & Parts –Descriptions

<b>Ref. No.</b>	<b>Part No.</b>	<b>Description</b>	<b>Per Ballast Box Qty.</b>
1	A413201	Socket & Screw	4
2	J235101	Bracket Support for Socket	4
3	A253301	Lamp, fluorescent F20T12-CW (Optional Item)	2
4	N044001 N051801 N052901 N052801	Ballast (Optional), 115v, 60Hz Ballast (Optional), 115v, 50Hz Ballast (Optional), 230v, 60Hz Ballast (Optional), 230v, 50Hz	1
5	A411901	Terminal Strip, Electric Reset Models Only  Note: For CamAc Manual Reset Models, use wire nuts to terminate field wiring in the Ballast Box	1
6	A161701	Screw—Hex Hd Cap	4
7	J338201	Washer	4
8	H332201	Cover, Ballast Box	1
9	E531602	Strip	2
10	104821	Ballast Box (M-2000x)	1

### Chassis (Frame) Parts – Remote Dispenser

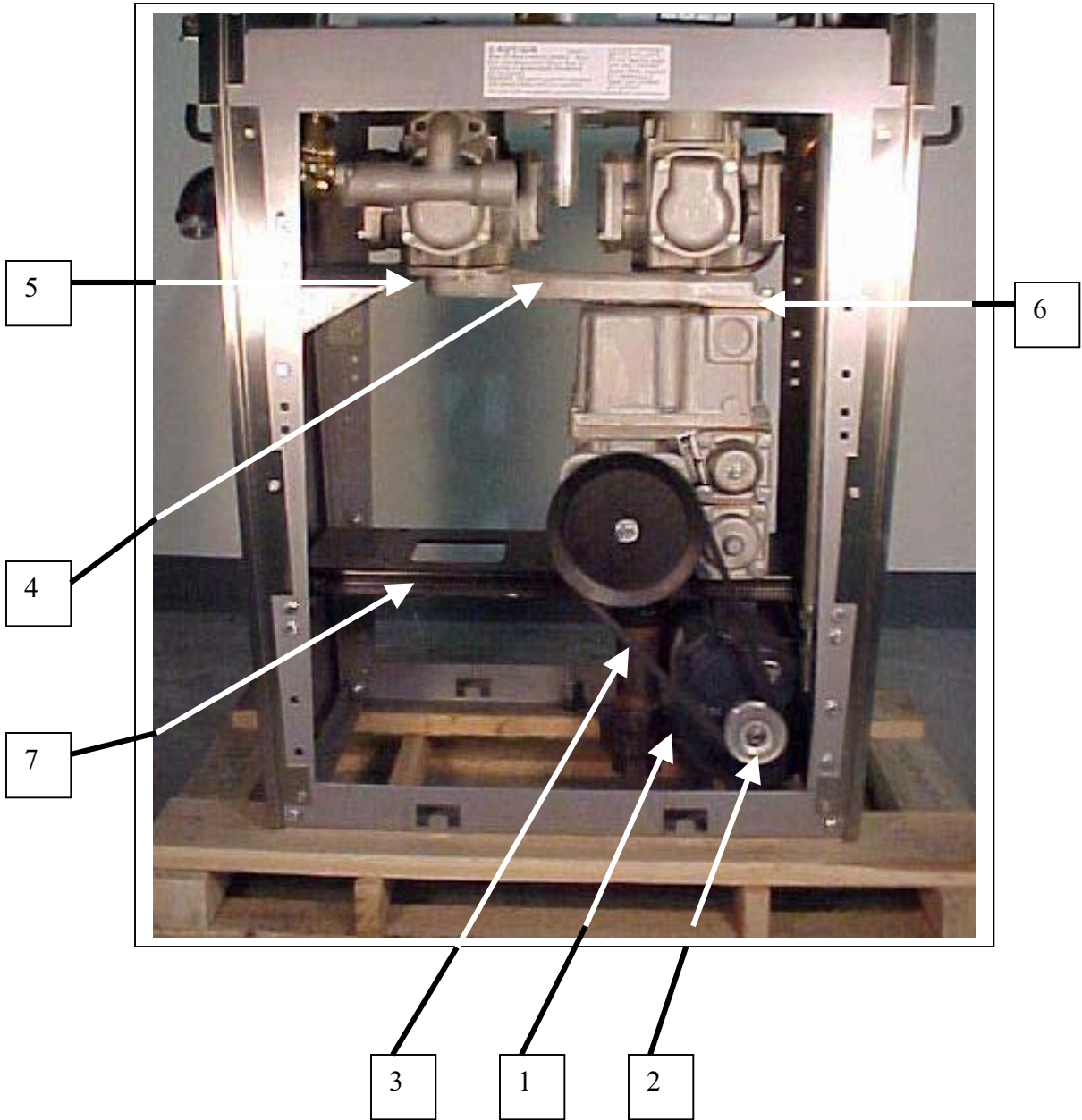


## Chassis (Frame) Parts, Remote Dispenser - Descriptions

<b>Ref. No.</b>	<b>Part No.</b>	<b>Description</b>	<b>Qty.</b>
1	104564	Frame, Upper Side, hose side	1 per hose
	105367	Frame, Upper Side, No Hose	1 per single
2	104557	Frame, Front and Rear	2
3	104560	Rail, Support (connects front & rear frame and supports the deck assembly)	2
4	104558	Brace, Lower Corner (connects front & rear frame)	2
5	105211	Valve, Manifold & Deck Assm for xx24 Models (shown in photo)– see separate page for breakdown of parts for xx24 and other models	1
6		Meter, Outlets, and Solenoid Parts – see separate page for breakdown of parts	
7	N789901	Cable Reel Assembly (Spring Rewind, includes heavy duty nylon cable).  NOTE: Cable Reel Assembly is standard for 4000 series dispensers. For 3900 series dispensers, the assembly is available as an option as a field installed kit.  NOTE: Does not include hose clamp	1 per hose in 4000 series
NOT SHOWN	N35503 N355304 N355302	Hose Clamp for 5/8" ID Hose Hose Clamp for 3/4" ID Hose Hose Clamp for 1" ID Hose  NOTE: Hose clamps are not furnished with new dispensers. Hose clamps are available as a service part only.	1 per hose

## Chassis (Frame) Parts – Self Contained Dispenser

Pictured below is the hydraulic section of a xx27 1-Product, 2-hose Suction Pump



### Chassis (Frame) Parts, Self Contained Dispenser – Descriptions

Ref. No.	Part No.	Description	Qty.
1		Motor – See Motor Chart Below	
2	A331201	Pulley – See Pulley Chart Below Screw-Allen Socket Set, 5/16”—18 x 3/8”	
3	A216019	V-Belt, 33”	
4	104479	Manifold, 1-product, twin, self contained	
5	100535	Gasket, meter inlet	
6	N162801	Gasket, pumping unit to manifold	
7	104562	Deck, Self Contained (M-2000)	

Motor Chart ↓ Below

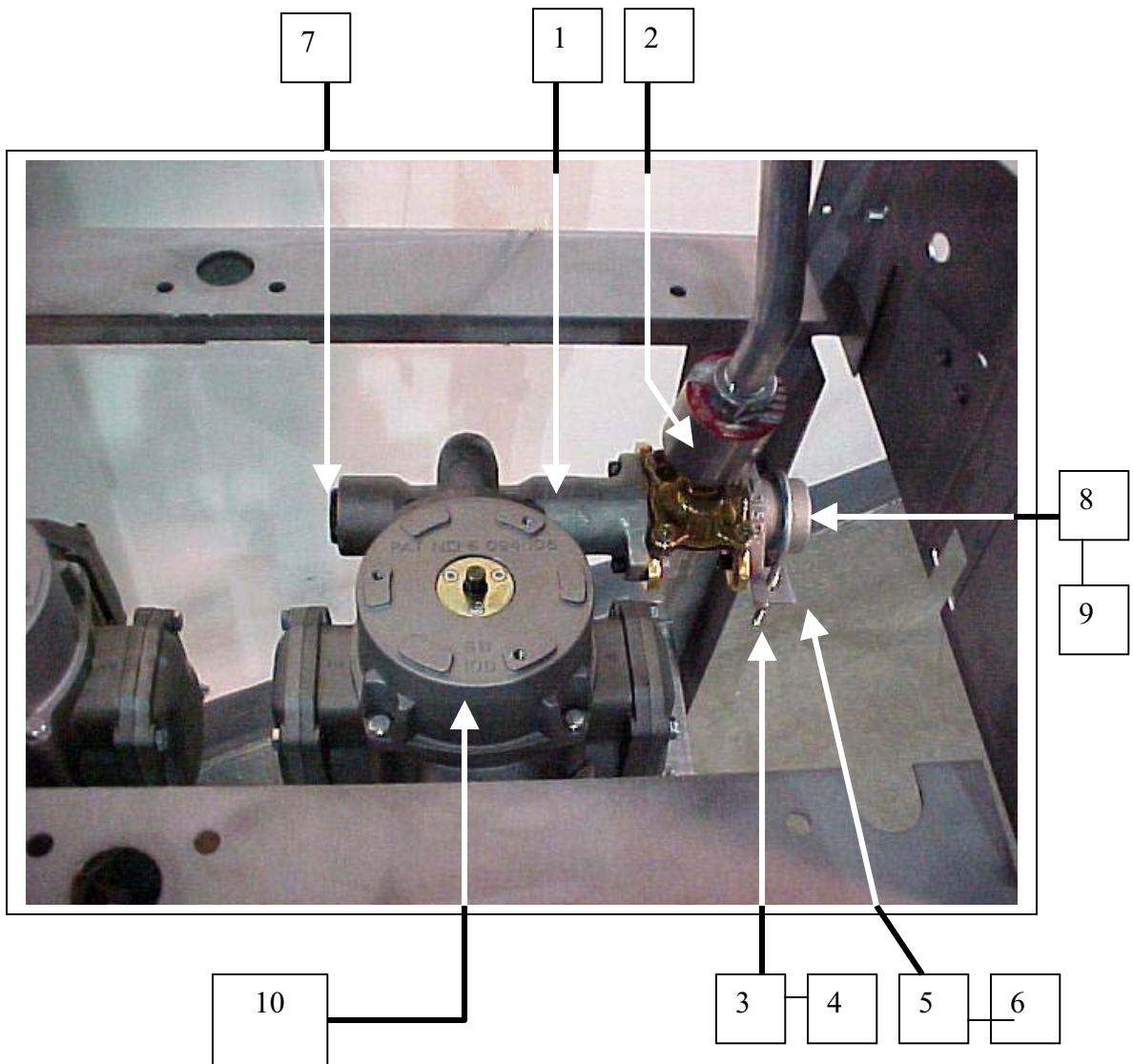
Motor	HP	Voltage	Hertz	Phase	Con/Int*	Used in Model Numbers
J126301	1/3	115/230	60/50	1	Int	XX13, XX25
J958201	3/4	115/230	60/50	1	Con	XX13D, XX25D, XX27
J127401	1/2	115/230	60/50	1	Con	XX13 & XX25 as an option
H920201	1/3	220/380	60/50	3	Int	XX13, XX25
J435501	1/2	220/380	60/50	3	Con	XX13 & XX25 as an option
H921401	3/4	220/380	50	3	Con	XX13D, XX25D, XX27
N571301	3/4	230	50	1	Con	XX13D, XX25D, XX27

\***Con/Int** refers to **Continuous Duty Cycle** or **Intermittant Duty Cycle**

Motor Pulley Chart ↓ Below

Motor Pulley	HP	Hertz
A424401	1/3, 1/2, 3/4	60
100037	3/4	50
100007	1/3, 1/2	50

**Meter, Outlet, Adapter Outlet, and Solenoid Valve Parts**



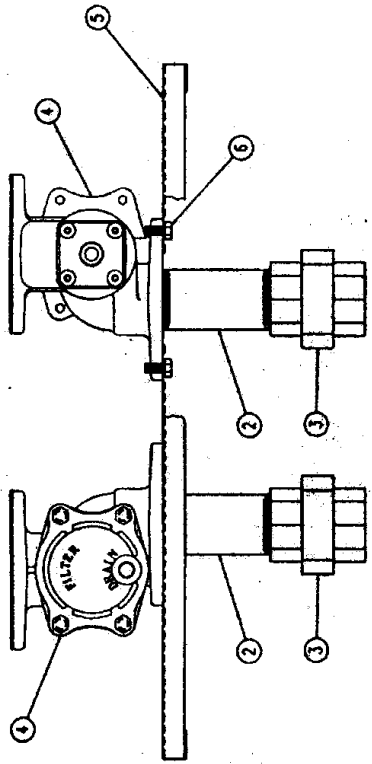


## Meter Outlet, Adapter Outlet, and Solenoid Valve Parts - Descriptions

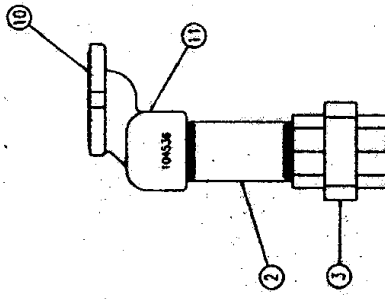
Ref. No.	Part No.	Description	Per Hose Outlet Qty.
1	104439 104440	Meter Outlet, Meter to Solenoid Valve Meter Outlet, when no solenoid valve is used  [NOTE: Remotes and xx27 Self-Contained have solenoid valves; xx13 and xx25 have solenoids only if optional prepay/preset feature is ordered]	1 1
2	105518 105519	Valve Assm-Service, 115v, GoPump (includes sealed conduit.) Valve Assm-Service, 230v, GoPump (includes sealed conduit.)  --NOTE: For mechanical dispensers (3900 & 4000 series), cut off connector and terminate wires at terminal strip—	1 1
3	103432	U-bolt	1
4	A219010	Nut	2
5	105045	Bracket, Outlet Support	1
6	100534	Screw, Soc Hd Cap (for Bracket, Outlet Support)	2
7	A082401	Pipe Plug, Countersunk head, 1"	1
8	104444	Adapter, Outlet (solenoid to nipple)	1
9	A184403	Nipple (not shown) 1" x 1-1/2" (exits through pump frame and into a painted black elbow)	1
10	101187 101189	SB100 Meter, Gallon Style SB100 Meter, Liter Style  NOTE: Gallon or Liter Style is NOT determined solely by the measurement display of the mechanical computer. It IS based upon the <u>specific model style</u> of the mechanical computer and the input gearbox assembly. For example, most dispensers use the 101187 Gallon Style Meter even when the display output of the mechanical computer is for liters. Each meter has a metal part number tag attached for identification purposes. Check with factory if you are uncertain about a meter part number.  See Separate Page for Breakdown of Meter Parts.	1 1

# Inlet Parts

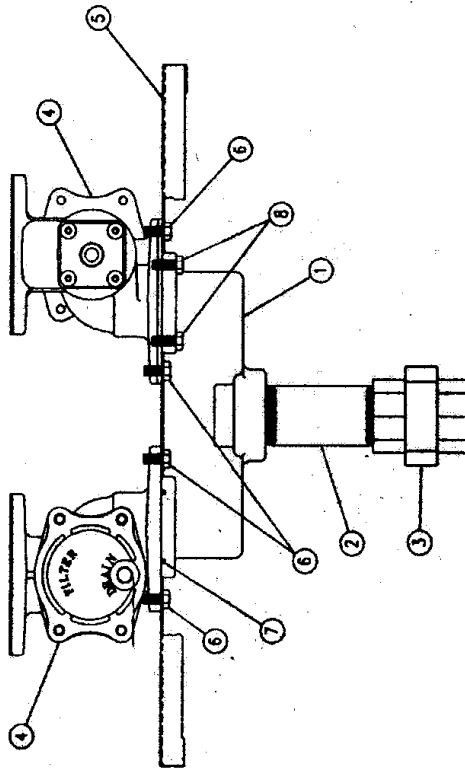
## X12 AND X22 MODELS



## SELF CONTAINED MODELS

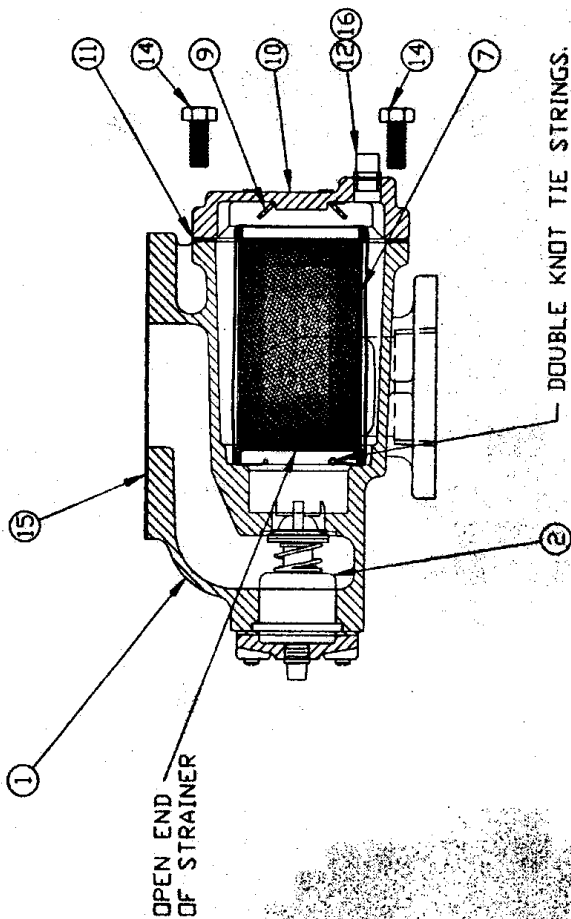


## X24 MODELS



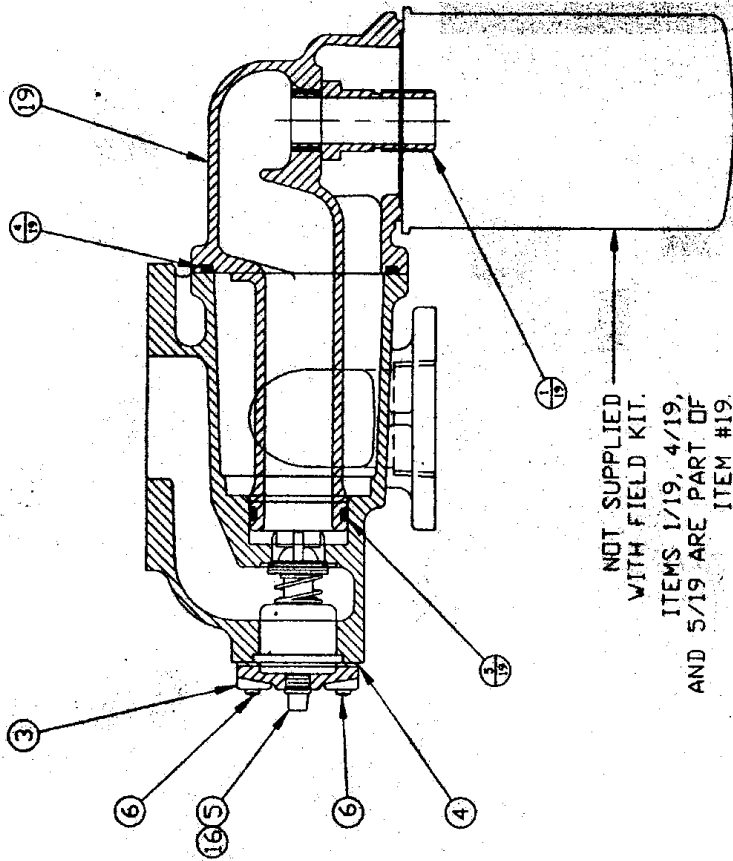
## Inlet Parts - Descriptions

<b>Ref. No.</b>	<b>Part No.</b>	<b>Description</b>	<b>Qty.</b>
1	104443	Manifold, Inlet, xx24 model	1 per dispenser
2	104820	Nipple, Black, 1-1/2" x 5"	1 per inlet pipe
3	A327501	Union, 1-1/2" Pipe	1 per inlet pipe
4	104816	Check Valve Assy (A311901 Filter) –(Remote models only) See Separate Page for Breakdown	1 per meter
5	104561	Deck, Remote	1 per dispenser
6	A161701	Screw – Hex Hd Cap	4 per check valve
7	A247016 105336	Seal, Square – Used if 104443 manifold is unpainted Gasket, Flat – Used if 104443 manifold is painted blue	1 per check valve
8	A174301	Screw – Hex Hd Cap	4 per check valve
9		N/A	
10	J802401	Gasket, Pumping Unit Inlet (self contained models)	1 per Pumping Unit
11	104536	Adapter—Inlet, xx13, xx25, xx27 (self contained models)	1 per Pumping Unit



DOUBLE KNOT TIE STRINGS, SACK & STRAINER ASS'Y TO BE INSERTED WITH THE ENDS DOWN AND EXTENDING BACK INTO FILTER CAVITY.

- STRAINER & SACK ASSY. WHERE REQ'D.
1. INVERT ITEM X, SACK, TO PUT STITCHED SEAMS INSIDE.
  2. INSERT ITEM X, STRAINER, WITH OPEN END OUT.
  3. PULL DRAWSTRINGS TO FOLD SACK OPENING OVER STRAINER END AND TIE SECURELY.



NOT SUPPLIED WITH FIELD KIT. ITEMS 1/19, 4/19, AND 5/19 ARE PART OF ITEM #19.

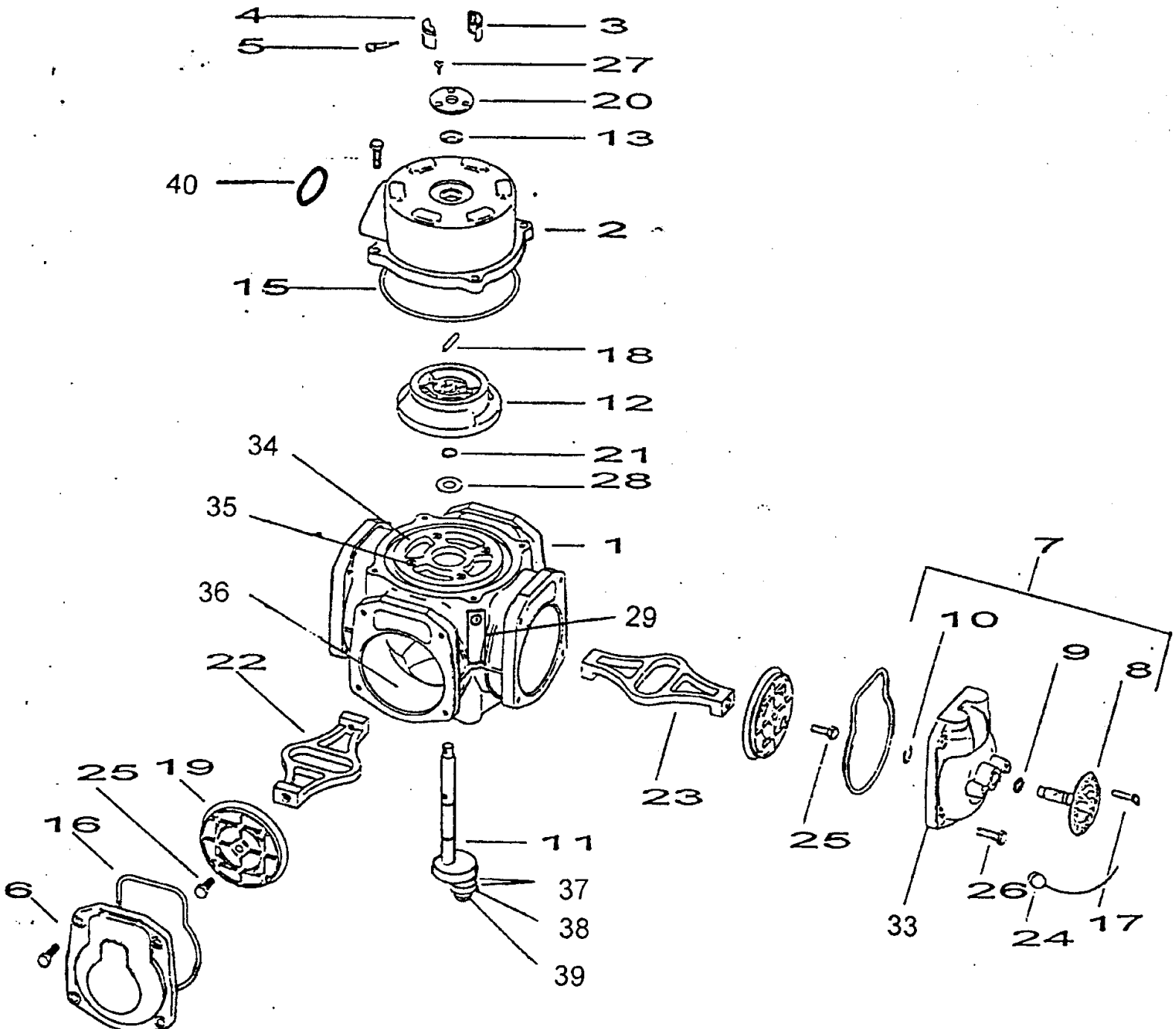
1/19 ITEM BUBBLE TRAP FOR ITEM #19

# Filters and Inlet Check Valve Assemblies - Descriptions

Ref. No.	Part No.	Description	Per Product Inlet Qty.
1	104435	Body, Filter & Check Valve	1
2	H914201	Check Valve Assm	1
3	H386801	Cover, Check Valve	1
4	H384901	Gasket	1
5	A044001	Plug	1
6	A277601	Screw	4
7	A311901	Filter, Paper, 35-micron (standard)	1
	N333501	Strainer, 100 Micron (optional)	1
	N347301	Sack, Filter (optional for use with N333501 Strainer)	1
8		N/A	
9	N905001	Spring	1
10	N154701	Cover	1
11	N162201	Gasket	1
12	A019902	Plug	1
13		N/A	
14	A479902	Screw	4
15	100535	Gasket, Meter Inlet	
16	-----	Pipe Dope applied to male threads on plug	
17		N/A	
18		N/A	
19	104815	Adapter, Filter, Spin-On Assm. (optional) Includes:	1
1/19	N547701	Adapter, Filter	1
4/19	A247001	Seal, Square	1
5/19	A212212	O-ring	1
	104436	Casting	1
	A270501	Filter, Spin-On, 10-Micron (optional)	

# SB100 Meter

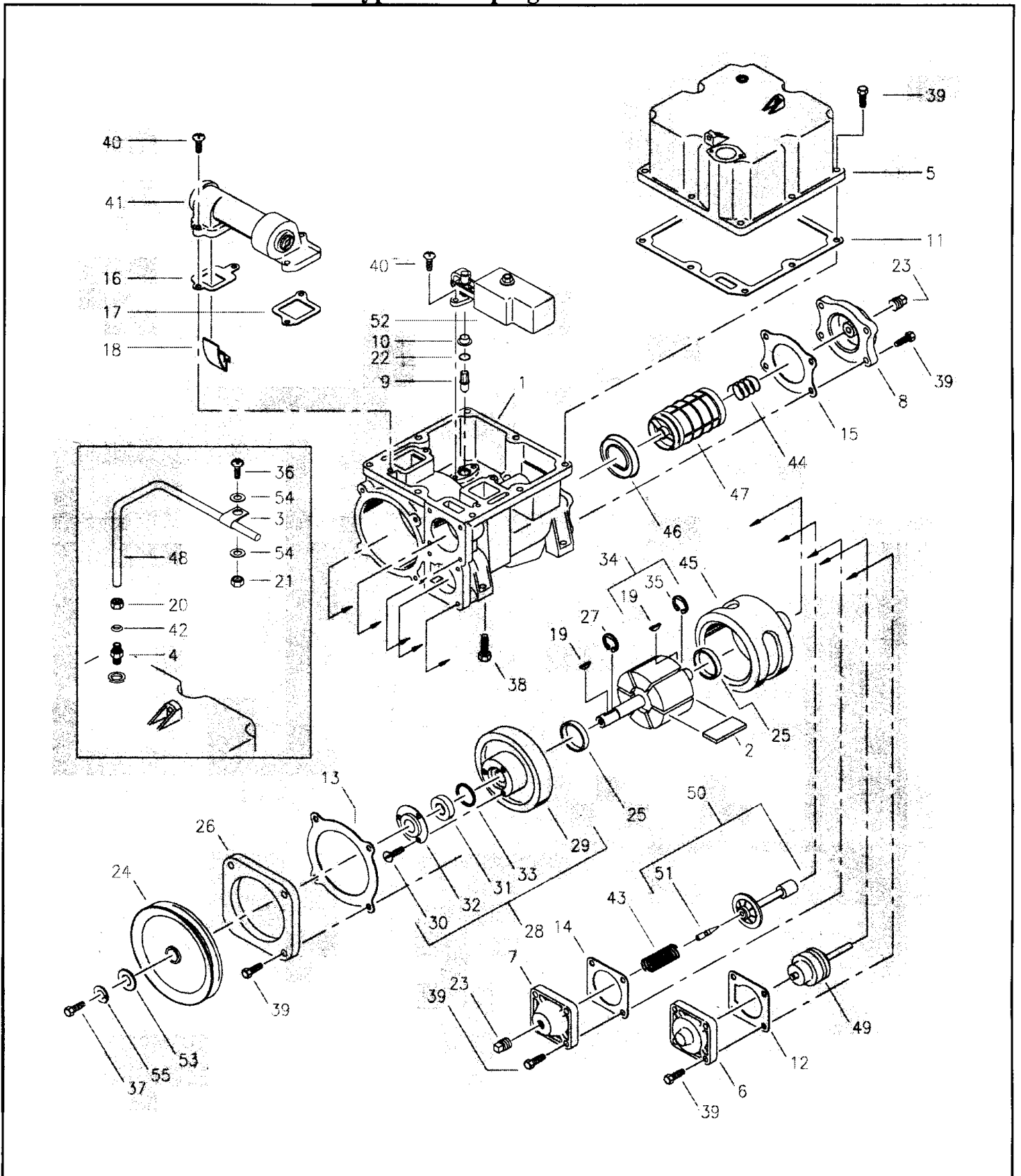
## SB100 Metering Unit



# SB100 Meter - Descriptions

REF	PART No.	METER COMPONENT DESCRIPTION	QTY.
	101187	METERING UNIT, SB100, GALLONS	
	101189	METERING UNIT, SB100, LITERS	
1	101185	BODY ASSEMBLY, METER	1
1	N643202	BODY	1
(34)	N902401	VALVEPLATE	1
(35)	A586601	SCREW, FLAT HEAD, M4 - 0.7x12MM	4
(36)	N715901	SLEEVE	4
	A578404	BEARING, FLANGED SLEEVE	1
2	101184	COLLECTOR ASSEMBLY	1
	A578401	BEARING, SLEEVE	1
	A586801	SCREW, PAN HEAD, M5 - 0.8 x 12MM	6
2	N646502	COLLECTOR BODY	1
	N673201	GASKET, DIAPHRAGM OUTER	2
	N685801	DIAPHRAGM RETAINER, OUTER	1
	101183	COUNTERVALVE & DIAPHRAGM ASSEMBLY	1
	N902501	COUNTERVALVE	1
	100081	DIAPHRAGM	1
	N673101	GASKET, DIAPHRAGM INNER	1
	N685901	DIAPHRAGM RETAINER, INNER	1
	A631901	SCREW, FILISTER HEAD, M4 - 0.7x10MM	4
	103077	SPRING, COUNTERVALVE - 3.5 LBS	1
3	H650402	COUPLING, HALF - THREADED	1
4	H651203	COUPLING, HALF	1
5	H650501	COUPLING, SCREW - SPECIAL	1
6	N659201	COVER, CYLINDER	3
7	N779601	COVER ASSEMBLY, CALIBRATION	1
(33)	N683701	COVER, CALIBRATION	1
8	N701601	DIAL AND SCREW ASSEMBLY	1
9	A212247	O'RING	1
10	A586401	RING, RETAINING - EXTERNAL "E" - 5/16" O.D. SHAFT	1
11	N903802	CRANKSHAFT AND ROLLER BEARING ASSEMBLY -- LITERS	1
11	N901402	CRANKSHAFT -- LITERS	1
11	N903801	CRANKSHAFT AND ROLLER BEARING ASSEMBLY -- GALLONS	1
11	N901401	CRANKSHAFT -- GALLONS	1
(37)	N903701	ROLLER AND BEARING ASSEMBLY	2
(38)	A631801	WASHER	1
(39)	A239401	NUT, LOCK, 5/16 - 24	1
12	N891601	DISTRIBUTOR VALVE	1
13	A578701	ELEMENT, LIP SEAL	1
	N842901	INSTALL TOOL FOR METER LIP SEAL	NOT SHOWN
15	A247019	O'RING, SQUARE SECTION	1
16	A247010	O'RING, SQUARE SECTION	4
17	N675801	PIN, SEAL - CALIBRATION	1
18	N672601	PIN, DISTRIBUTOR DRIVE	1
19	N701502	PISTON ASSEMBLY	4
20	N666401	RETAINER, LIP SEAL	1
21	A579901	RING, RETAINING - EXTERNAL, HEAVY DUTY - 10MM DIA. SHAFT	1
22	N654802	ROD, CONNECTING - NONCALIBRATING	1
23	N654801	ROD, CONNECTING - CALIBRATING	1
24	104102	SEAL WIRE, 6"	1
24	104101	SEAL	1
25	N792201	SCREW SPECIAL, SELF-LOCKING - HEX HD CAP W/NYLON PATCH, M6-1.0x16MM	4
26	A586901	SCREW, HEX HEAD, M6-1.0x20MM	20
27	A480001	SCREW, FLAT HEAD, M3.5-0.6x8MM	3
28	A584001	WASHER	1
29	N887501	SERIAL PLATE	1
40	A247018	O'RING, SQUARE SECTION	1

# Type 75 Pumping Unit





# Type 75 Pumping Units - Descriptions

Ref.			
	N190730	Pumping Unit - Type 75	1
1	N150601	Body (non-reverse float)	1
	N150602	Body (reverse float)	1
2	N238201	Blade, Rotor	6
3	A254901	* Clamp	1
4	A583601	Connector, Male	1
5	N311113	Cover, Atmos. Chamber	1
6	N154901	Cover, Bypass Valve	1
7	N154801	Cover, Control Valve	1
8	N154701	Cover, Filter	1
9	N888301	Float, Non-Reversing	1
10	N888401	Float Bushing, Non-Reversing	1
11	N162901	Gasket, Atmos. Cham. Cover	1
12	N162401	Gasket, Bypass Valve	1
13	N162701	Gasket, Clamping Ring	1
14	N162301	Gasket, Control Valve Cover	1
15	N162201	Gasket, Filter Cover	1
16	N162501	Gasket, Inlet (Separator)	1
17	N162601	Gasket, Outlet (Separator)	1
18	N190201	Insert	1
19	A199501	Key	1
20	132N012701	*Nut, Tube	1
21	A219004	*Nut	1
22	A212248	O'Ring	1
23	A019901	Plug, Pipe 1/4	2
24	N106901	Pulley	1
25	N238101	Ring, Throw Out (H.D.)	2
26	N155901	Ring, Clamping	1
27	A263101	Ring, Retaining	1
28	J682702	Rotor Support Assembly Assembly includes:	1
29	N103801	Cover, Rotor	1
30	A480001	Screw, M3.5 Flat Hd	3
31	A323702	Seal, Lip (with plug)	1
32	H352101	Seal, Retainer	1
33	A247014	Seal, Square	1
34	N238301	Rotor and Shaft Assembly Assy. includes Rotor, Shaft and the following:	1
(19)	A199501	Key	1
35	A253501	Ring, Retaining	1
36	A206901	*Screw	1
37	A479903	Screw, M8 1.25x15MM	1
38	A479901	*Screw, M8 1.25x20MM	Ref
49	A479902	Screw, M8 1.25x25mm	24
40	A480101	Screw, M6 1x20MM	6
41	J195603	Separator & Air Eliminator	1
42	132N012802	*Sleeve, Tube	1

Ref.			
43	J325201	Spring, Control Valve (H.D.)	1
44	J506701	Spring, Filter	1
45	N159501	Stator, H.D.	1
46	N160301	Stop, Filter Insert	1
47	J566901	Strainer Assembly-149 micron	1
	N333501	Metal Strainer (not shown)	1
	A311901	Paper Filter (not shown)	1
48	N693101	*Tube, Vent Assy- 9024	2
		Tube, Vent Assy- 9033 & 9036	3
		Tube, Vent Assy- 9044 & 9048	4
49	N481201	Valve Assembly, Bypass	1
50	N107301	Valve Assembly, Control	1
51	A320901	Valve, Relief 30-50 psi	1
52	H876904	Valve Assembly, Float	1
53	A028101	Washer	1
54	A214701	*Washer	2
55	A000301	Washer, Lock	1

Ref. No.	Part No.	Description	Qty.
	KR036604	Gasket Set	1
8	N162901	Set includes: Gasket, Atmospheric Chamber cover	1
9	N162401	Gasket, Bypass Valve	1
10	N162701	Gasket, Clamping Ring	1
11	N162301	Gasket, Con. Valve Cover	1
12	N162201	Gasket, Filter Cover	1
13	N162501	Gasket, Inlet (Separator)	1
14	N162601	Gasket, Outlet (Separator)	1
—	E993201	Gasket, Meter (Dwg. #9)	1
24	A323702	Seal, Lip (with plug)	1
26	A247014	Seal, Square	1

\*Not part of the pumping unit

## VR10 Extended Range Computer for U.S. Market

**TO:** Bennett Pump Co. & Bennett Commercial Pump Co. Distributors  
**FROM:** Gary Hanks  
**BULLETIN NO.:** 14  
**DATE:** February 4, 2002  
**SUBJECT:** VR10 Extended Price Computer Options with new style chassis (spec 2001) 4000 Heritage series dispensers

The standard Veeder-Root mechanical computer used in the Heritage 4000 series dispenser is the VR10/4. The VR10/4 has 4-rotors and will display a maximum sale of \$99.99 with a maximum price per volume of \$3.999. The right hand money wheel is \$0.00 through \$0.09.

Certain applications require a computer that can exceed the \$99.99 maximum sale amount of the standard VR10/4. For these applications we offer an optional VR10 computer. The VR10 has 4-rotors and will display a maximum sale of \$999.99 with a maximum price per volume of \$5.999. The right hand money wheel is \$0.00 through \$0.99 and is numbered 00, 10, 20, 30, 40, 50, 60, 70, 80, 90 with indicator lines every 2-cents.

The following matrix describes the standard and available options for Veeder-Root mechanical computers for the Heritage 4000 series.

<u>Computer</u>	<u>Pulser</u>	<u>Prepay Valves</u>	<u>Option Order Code</u>	<u>List Add Per Hose (Bennett Commercial)</u>
VR10/4, N894701	None	No	Std Models 40xx?-????S?N	\$0.00
VR10/4, N894701	10:1 VR, J497401	No	W/ 10:1 Pulser 40xx?-????S?T	\$184
VR10/4, N894701	100:1 VR, N785301	No	W/ 100:1 Pulser 40xx?-????S?H	\$284
VR10/4, N894701	10:1 VR, J497401	Yes	W/ 10:1 Pulser & Prepay 40xx?-????SPT	\$354-for #4013/4025 \$184-for Remotes & 4027
VR10/4, N894701	100:1 VR, N785301	Yes	W/ 100:1 Pulser & Prepay 40xx?-????SPH	\$454-for #4013/4025 \$284-for Remotes & 4027
VR10/4, N894701	None	Yes	W/ Prepay 40xx?-????SPN	\$170-for #4013/4025 \$0.00-for Remotes & 4027
VR10, N339602	None	No	W/ VR10 40xx?-????V?N	\$147
VR10, N339601	N339601 Computer includes 100:1 VR Pulse/Tot	No	W/ VR10 & Pulse/Totalizer 40xx?-????V?V	\$378
VR10, N339601	N339601 Computer includes 100:1 VR Pulse/Tot	Yes	W/ VR10 & Pulser Totalizer and w/ Prepay 40xx?-????VPV	\$548-for #4013/4025 \$378-for Remotes & 4027
VR10, N339602	None	Yes	W/ Prepay 40xx?-????VPN	\$317-for #4013/4025 \$147-for Remotes & 4027

Some cautions should be noted about the use of the optional VR10 Extended Price Computer. The VR10 may be ordered without any pulsers, or it can be ordered with the Veeder-Root 100:1 Pulse/Totalizer.

The Veeder-Root Pulse/Totalizer along with an interface barrier was designed to work with Veeder-Root's MBSS Consoles. The voltage will not allow the VR10 with pulse/totalizer to operate with the Bennett 405 Console.

### **Solutions to allow the VR10 to operate with the Bennett 405 Console**

1. If you wish to use Veeder-Root Pulse Totalizer:

Order 4000 dispenser w/ VR10 computer from Bennett. If prepay operation is desired, specify that the dispenser is "w/ Prepay". The dispenser is equipped with a VR10 Extended Price Computer but without any pulsers or pulse totalizer.

The installer must:

\*Supply & Install Veeder-Root Pulse Totalizer, Form #773380-601, 2-pulses per 2 pennies

\*Supply & Install Western Electronics Interface Barrier #7000I-11, 1-pulse in/1-pulse out

\*Supply & Install from electrical supply house, Appleton ELMF90-75 ¾" 90° Male x Fe Elbow or Crose-Hinds EL296 ¾" 90° Male x Fe Elbow.

\*In the bottom of the ballast box of the dispenser, there are knockouts that can be used to install the elbow (marked as ABB and BAA on the knockout). Install the elbow and barrier on the underside of the ballast box. Route the barrier wires to the terminal strip inside the ballast box.

--OR--

2. If you desire to use Western Pulsers:

Order 4000 dispenser w/ VR10 computer from Bennett. If prepay operation is desired, specify that the dispenser is "w/ Prepay". The dispenser is equipped with a VR10 Extended Price Computer but without any pulsers or pulse totalizer.

The installer must:

\*Supply & Install Western Pulser Model 500 including the Western Interface Barrier for single dispensers

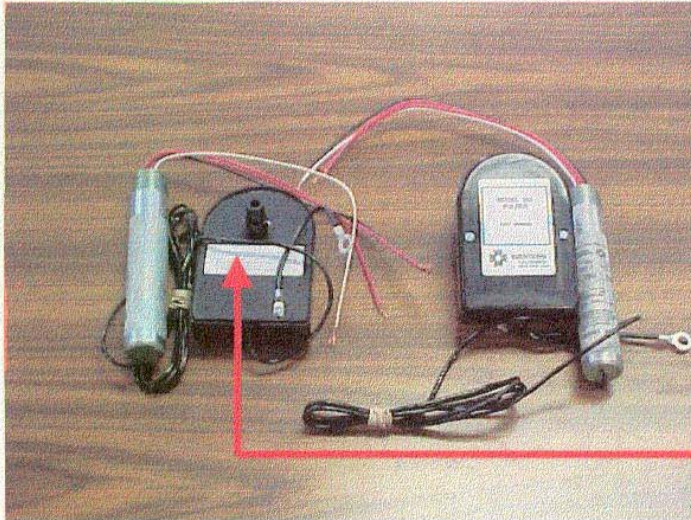
---OR---

\*Supply & Install 2 Western Pulser Model 500 including the 2 Western Interface Barrier for twin dispensers. For twin model dispensers, 2 of the Western #4500211 Short Shaft Kits are required. **The longer standard shaft kit will not fit in a twin dispenser.**

\*Supply & Install from electrical supply house, Appleton ELMF90-75 ¾" 90° Male x Fe Elbow or Crose-Hinds EL296 ¾" 90° Male x Fe Elbow.

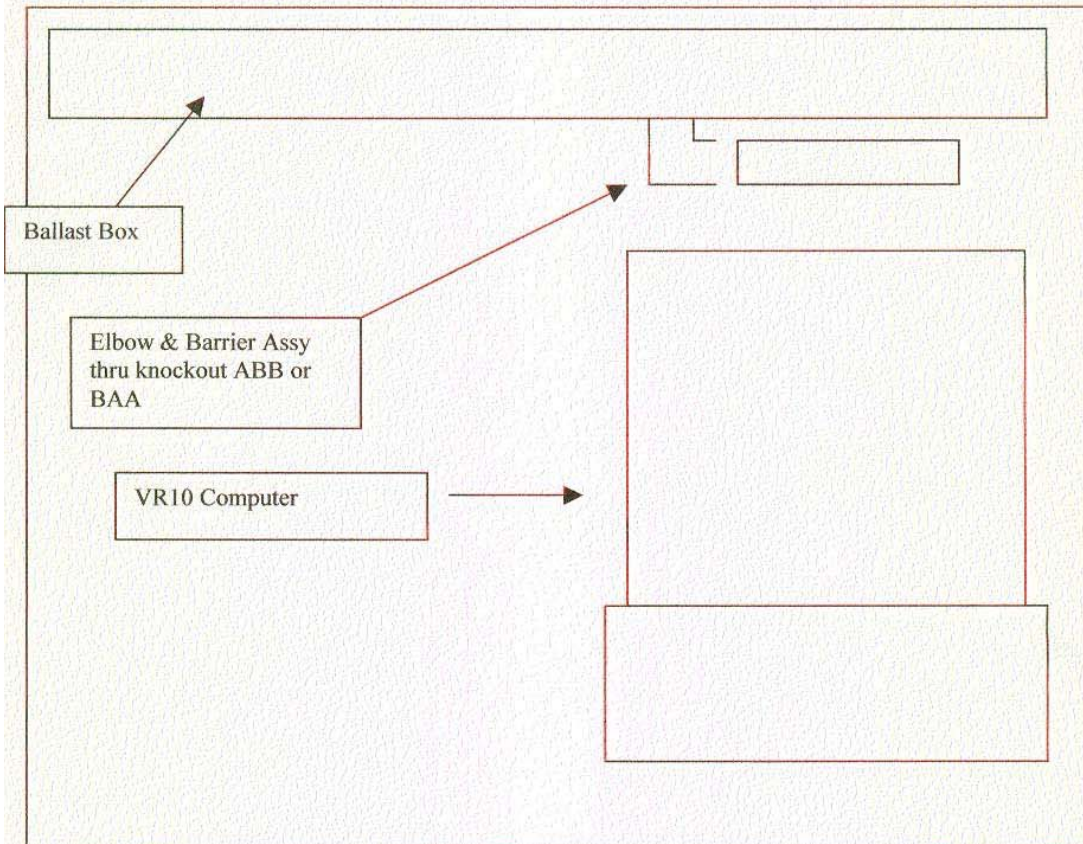
\*In the bottom of the ballast box of the dispenser, there are knockouts that can be used to install the elbow (marked as ABB and BAA on the knockout). Install the elbow and barrier on the underside of the ballast box. Route the barrier wires to the terminal strip inside the ballast box.

# To the Point



Model 500 Western Pulsers with  
#7000I-11 Interface Barrier

Shown with #4500211 Short  
Shaft Kit



The above methods are the only Bennett approved methods for using a VR10 Extended Price Computer with a Model 405 series console.

Should you have an application to use a VR10 computer with the Veeder-Root MBSS console or another console that uses the same voltage as the MBSS, simply order:

4000 series dispenser from Bennett and ask for "w/ VR10 computer and VR Pulse/Totalizer and VR barrier assembly". If dispenser is for "prepay" use, also ask for "w/ Prepay".

A few additional comments as to why Bennett cannot furnish a dispenser with VR10 computer equipped with 100:1 Veeder-Root Pulse/Totalizer and a barrier that will allow it's use with the Model 405 Console:

*Why does Bennett not use the barrier made by Triangle Micro Systems to supply a dispenser finished for use with the 405 console? It does supply the correct voltage for use with the 405 console. The TMS barrier assembly is not U.L. listed, so we cannot include it in our finished dispenser.*

*Can the T.M.S. barrier be installed in the field? Yes, but because it has no U.L. Listing or other listing from a testing agency, Bennett cannot recommend it's use in Bennett dispensers. The use of the T.M.S. barrier will invalidate the Bennett warranty.*

*Why does Bennett not use the Western Electronics pulsers and the Western Electronics barrier to supply a dispenser finished for use with the 405 console? The Western pulser and barrier are ETL listed, but do not carry the U.L. listing. Because the component is not U.L. listed, we cannot supply the component and continue to put a U.L. listing on the finished dispenser. Please note that we are not questioning the safety of the Western pulser and barrier. ETL is a well known testing and accreditation agency.*

The prices for all the computer options shown in the matrix on page one are effective immediately. Prices may change in the future. Please retain this bulletin with your price sheets for reference. These option prices will be incorporated into the current price list in subsequent printings.

Please give us a call if you have any questions about these mechanical computer options.

# **Bennett Pump Company**

## **Bennett Commercial Pump Company**

**1218 E. Pontaluna Road  
Spring Lake, Michigan USA 49456**

**Tel: (231) 798-1310**

**Fax: (231) 799-6202**

**Email: [sales@bennettusa.com](mailto:sales@bennettusa.com)  
[techhelp@bennettusa.com](mailto:techhelp@bennettusa.com)**

**[www.bennettusa.com](http://www.bennettusa.com)  
[www.bennettpump.com](http://www.bennettpump.com)**