



XP Pipe Fittings

APT™ brand XP Pipe fittings come in a variety of options for making easy end connections with the flexible pipework system. Each fitting type has been designed to ensure the right solution for any application.



XP Pipe Clamshell Swivel Fittings

The swivel fitting action allows for easy installation in tight containment spaces.

Highlights

- Solid brass or stainless steel construction.
- E-coated clamps provide durability and corrosion resistance from gas/alcohol blends (including E85), diesel and biodiesel.
- Integrated double O-ring design for leak tight seal.
- NPT threads are compatible with locally available standard termination fittings.
- 100 psi rated working pressure.
- Stainless steel fittings are biofuel approved (E85 and biodiesel).

Ordering Information

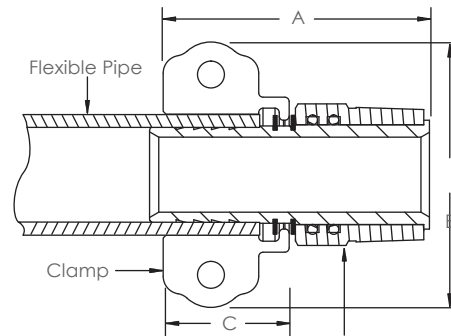
Model	Description
MS-XP-150-150	Brass XP pipe clamshell swivel fitting, installs on the end of 1 1/2" single/secondary contained XP pipe with 1 1/2" NPT
MS-XP-175-200	Brass XP pipe clamshell swivel fitting, installs on the end of 1 3/4" single/secondary contained XP pipe with 2" NPT
MS-XP-200-200	Brass XP pipe clamshell swivel fitting, installs on the end of 2" single/secondary contained XP pipe with 2" NPT
MS-XP-150-150SS	Stainless steel XP pipe clamshell swivel fitting, installs on the end of 1 1/2" single/secondary contained XP pipe with 1 1/2" NPT
MS-XP-175-200SS	Stainless steel XP pipe clamshell swivel fitting, installs on the end of 1 3/4" single/secondary contained XP pipe with 2" NPT
MS-XP-200-200SS	Stainless steel XP pipe clamshell swivel fitting, installs on the end of 2" single/secondary contained XP pipe with 2" NPT

Specifications

Approvals

- cULus listed.

Dimensions



Model	A	B	C
MS-XP-150-150	4.00"	4.00"	1.75"
MS-XP-175-200	4.00"	4.00"	1.75"
MS-XP-200-200	4.50"	4.75"	2.25"



XP Pipe Clamshell Non-Swivel Fittings

Providing the same environmental security as the swivel version at an economical price.

Highlights

- Solid brass or stainless steel construction.
- E-coated clamps provide durability and corrosion resistance from gas/alcohol blends (including E85), diesel and biodiesel.
- Integrated double O-ring design for leak tight seal.
- NPT threads are compatible with locally available standard termination fittings.
- 100 psi rated working pressure.
- Stainless steel fittings are biofuel approved (E85 and biodiesel).

Ordering Information

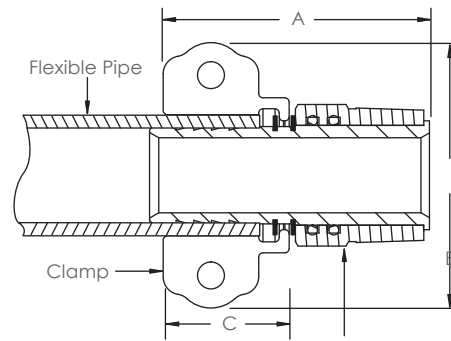
Model	Description
MN-XP-100-100	Brass XP pipe clamshell non-swivel fitting, installs on 1" single/secondary contained XP pipe with 1" NPT
MN-XP-100-100SS	Stainless steel XP pipe clamshell swivel fitting, installs on 1" single/secondary contained XP pipe with 1" NPT

Specifications

Approvals

- cULus listed.

Dimensions



Model	A	B	C
MN-XP-100-100	3.00"	3.00"	1.50"



XP Pipe Swage Fittings

Providing the same environmental security as the clamshell fitting using swage technology for installation.

Highlights

- Integrated double O-ring design for leak tight seal.
- NPT threads are compatible with locally available standard termination fittings.
- 100 psi rated working pressure.
- Stainless steel design is biofuel approved (E85 and biodiesel).

Ordering Information

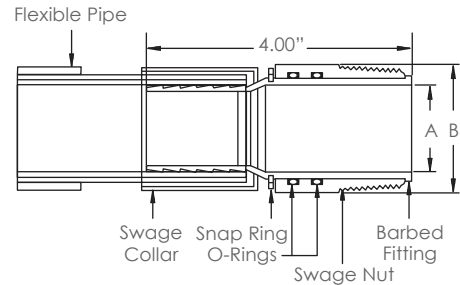
Model	Description
MS-XP-SW-150-150	Stainless steel XP pipe swage fitting, male, installs on 1½" single/secondary contained XP pipe with 1½" NPT
MS-XP-SW-175-200	Stainless steel XP pipe swage fitting, male, installs on 1¾" single/secondary contained XP pipe with 2" NPT
MS-XP-SW-200-200	Stainless steel XP pipe swage fitting, male, installs on 2" single/secondary contained XP pipe with 2" NPT

Specifications

Approvals

- cULus listed.

Dimensions



Model	A	B	C
MS-XP-SW-150-150	1.50"	2.00"	1.75"
MS-XP-SW-175-200	1.75"	2.50"	1.75"
MS-XP-SW-200-200	2.00"	3.00"	2.25"



XP Pipe Clamshell Tee & Elbow Fittings

Installing APT™ brand XP flexible pipe inside of a narrow-base dispenser sump has never been easier. The XP pipe clamshell tee and elbow fittings allow for an easy space-saving installation by enabling an installer to connect flexible pipe directly into a shear valve riser. This eliminates the need for extra galvanized fittings. By eliminating the galvanized fittings, you also reduce the amount of potential leak points, giving you peace of mind that your installation is secure. With the tee and elbow fittings you can complete an XP pipe installation inside of a sump in less than 16" of linear space. The stainless steel design of the fittings makes them an ideal solution for any fueling application.

Highlights

- Ideal for retrofit installations where containment sump has limited space or a narrow base.
- Eliminate threaded pipe joints inside of containment space; freeing up valuable space in tight quarters.
- Solid stainless steel construction.
- E-coated clamps provide durability and corrosion resistance from gas/alcohol blends (including E85), diesel and biodiesel.
- NPT threads are compatible with locally available standard termination fittings.
- 100 psi rated working pressure.
- Stainless steel fittings are biofuel approved (E85 and biodiesel).

Ordering Information

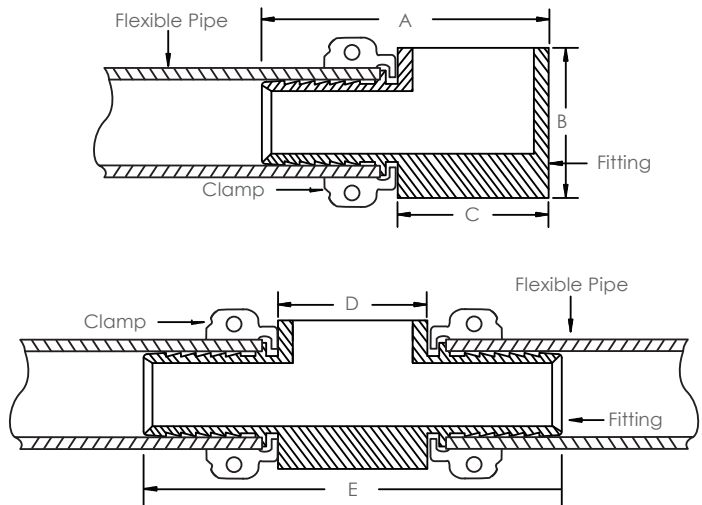
Model	Description
TEE-XP-150	Stainless steel XP pipe clamshell tee fitting, installs on the end of 1½" single/secondary contained XP pipe with ½" NPT
ELB-XP-150	Stainless steel XP pipe clamshell elbow fitting, installs on the end of 1½" single/secondary contained XP pipe with ½" NPT
TEE-XP-175	Stainless steel XP pipe clamshell tee fitting, installs on the end of 1¾" single/secondary contained XP pipe with ½" NPT
ELB-XP-175	Stainless steel XP pipe clamshell elbow fitting, installs on the end of 1¾" single/secondary contained XP pipe with ½" NPT
TEE-XP-200	Stainless steel XP pipe clamshell tee fitting, installs on the end of 2" single/secondary contained XP pipe with ½" NPT
ELB-XP-200	Stainless steel XP pipe clamshell elbow fitting, installs on the end of 2" single/secondary contained XP pipe with ½" NPT

Specifications

Approvals

- cULus listed.

Dimensions



Model	A	B	C	D	E
TEE/ELB-XP-150	4.75"	2.50"	2.50"	2.50"	4.75"
TEE/ELB-XP-175	4.75"	2.50"	2.50"	2.50"	7.00"
TEE/ELB-XP-200	5.00"	2.50"	2.50"	2.50"	7.00"



XP Pipe Clamshell Tee & Elbow Fittings

XP Pipe quick release fittings bring a new level of ease to APT™ brand XP pipe installation and servicing. These installer-friendly fittings combine the clamping system found on the original XP Pipe clamshell fittings with the capability to connect seamlessly with flexible connectors utilizing a clamp and gasket. Installation is made easier than ever with the removal of additional threaded connections. The flange and clamp also allow for quick disconnection of the pipe from a submersible pump for easy servicing.



Highlights

- Utilize any standard flexible connector's gasket and clamp to easily connect to the XP Pipe quick release fitting's standard flanged edge.
- Solid stainless steel construction.
- E-coated clamps provide durability and corrosion resistance from gas/alcohol blends (including E85), diesel and biodiesel.
- 100 psi rated working pressure.
- Stainless steel fittings are biofuel approved (E85 and biodiesel).
- Compact 2.85" fitting height.

Specifications

Approvals

- cULus listed.

Ordering Information

Model	Description
QRS-XP-150-200	Stainless steel XP pipe quick release fitting, installs on the end of 1½" single/secondary contained XP pipe with 2" flange
QRS-XP-175-200	Stainless steel XP pipe quick release fitting, installs on the end of 1¾" single/secondary contained XP pipe with 2" flange
QRS-XP-200-200	Stainless steel XP pipe quick release fitting, installs on the end of 2" single/secondary contained XP pipe with 2" flange
407082001	Quick release clamp
407046001	Quick release clamp Fluorocarbon gasket
407031001	2" quick release short elbow
407032001	2" quick release short tee



A Franklin Fueling Systems Brand

franklinfueling.com

3760 Marsh Rd. • Madison, WI 53718, USA
 Tel: +1 608 838 8786 • Fax: +1 608 838 6433
 Tel: USA & Canada +1 800 225 9787 • Tel: UK +44 (0)1473 243300
 Tel: Mex 001 800 738 7610 • Tel: FR +33 (0)1 69 21 41 41 • Tel: CH +86 10 8565 4566

