

# **FILL-RITE®**

## KITS



**FILL-RITE®**

 **Tuthill**

**SOTERA**  
SYSTEMS

# Table of Contents

---

- [Small Pump Kits](#)
  - FR1200 / FR2400 / FR4200 / FR4400 / FR600 / SD1200 / SD600 / 1600
- [FR3200 Series Kits](#)
- [FR700 Kits](#)
- [FR702 Series Kits](#)
- [FR300 Kits](#)
- [Fuel Meter Kits](#)
  - 800 and 900 Mechanical / 900 Digital
- [Hand Pump Kits](#)

# Small Pump Kits

---

- [4200KTF8739 – Rebuild](#)
- [1200KTG8572 – Rebuild](#)
- [KIT120RKG – Rebuild for G Series](#)
- [BD4200KTH0710 – Rebuild \(Bio-Diesel\)](#)
- [KIT120BD – Bio-Diesel Conversion](#)
- [KIT120BG – Inlet Flange](#)
- [KIT120BV – Bypass Valve](#)
- [KIT120ES – Switch & Fork](#)
- [KIT120FLG – 4200 Meter Flange](#)
- [KIT120JC – Junction Box Cover](#)
- [KIT120NB – Nozzle Boot](#)
- [KIT120RG – Rotor / Vane / Cover](#)
- [KIT120RGG – Rotor / Vane / Cover - G Series](#)
- [KIT120SG – Inlet Screen & Gasket](#)
- [KIT120SL – Shaft Seal](#)
- [KIT120SW – Switch Lever](#)
- [KIT300FA – Filter Assembly / MP Swivel](#)
- [KITFR1612 – Rebuild](#)
- [KIT120VP – Bulk Vane and Key](#)
- [KIT120TPP – Bulk Thermal Protector](#)
- [KIT120RKP – Bulk Rotor Key](#)
- [KIT120RHP – Bulk Brush and Holder](#)
- [KIT120RGP – Bulk Rotor](#)
- [KIT120ESP – Bulk Electrical Switch](#)
- [KIT700SSP – Bulk Switch Shaft](#)
- [KIT120CCP – Bulk Cable Connector](#)
- [KIT120BRP – Bulk Thermal and Rectifier](#)
- [KIT120BPP – Bulk Bypass Poppet](#)
- [KIT120CP – Bulk Capacitor Kit](#)
- [KIT100GBP – Bulk Inlet Gasket](#)
- [KIT700FGP – Bulk Discharge Gasket](#)
- [KIT120MPAM – FR1200 / SD1200 Motor](#)
- [KIT121MPAM – FR2400 Motor](#)
- [KIT122MPAM – FR4200 Motor](#)
- [KIT123MPAM – FR4400 Motor](#)
- [KIT124MPAM – FR600 / SD600 Motor](#)

# FR700 Series Pump Kits

---

- [700KTF2659 – Rebuild](#)
- [BD700KTH0711 – Bio-Diesel Rebuild](#)
- [KIT700AS – Anti-Siphon](#)
- [KIT700BD – Bio-Diesel Conversion](#)
- [KIT700BG – Bung Adapter](#)
- [KIT700BV – Bypass Valve](#)
- [KIT700CV – Check Valve](#)
- [KIT700JC – Junction Box Cover](#)
- [KIT120NB – Nozzle Boot](#)
- [KIT700MA – Meter Flange – 800 Series](#)
- [KIT700OT – Straight ¾” Outlet Flange](#)
- [KIT700OT1 – Straight 1” Outlet Flange](#)
- [KIT700RG – Rotor / Vane / Cover](#)
- [KIT700SG – Inlet Screen & Gasket](#)
- [KIT700SL – Shaft Seal](#)
- [KIT700SW – Switch Lever](#)
- [KIT900PF – Meter Flange – 900 Series](#)
- [KIT700AVBP – Bulk Anti-Siphon Body](#)
- [KIT700VP – Bulk Vane and Key](#)
- [KIT700RKP – Bulk Rotor Key](#)
- [KIT700RP – Bulk Rotor](#)
- [KIT700FGP – Bulk Discharge Gasket](#)
- [KIT120ESP – Bulk Electrical Switch](#)
- [KIT700SSP – Bulk Switch Shaft](#)
- [KIT700CVP – Bulk Check Valve Assembly](#)
- [KIT120BPP – Bulk Bypass Poppet](#)
- [KIT700BPSP – Bulk Bypass Spring](#)
- [KIT300GBP – Bulk Rotor Cover Gasket](#)
- [KIT300FGP – Bulk Discharge Flange Gasket](#)
- [KIT300GSK – Bulk Inlet Flange Gasket](#)

# FR300 Series Pump Kits

---

- [300KTF7794 – Rebuild](#)
- [BD300KTH0712 – Bio-Diesel Rebuild](#)
- [KIT300BD – Bio-Diesel Conversion](#)
- [KIT700AS – Anti-Siphon](#)
- [KIT700BG – Bung Adapter](#)
- [KIT300BV – Bypass Valve](#)
- [KIT300JC – Junction Box Cover](#)
- [KIT300NB – Nozzle Boot – Old Style](#)
- [KIT120NB – Nozzle Boot – New Style](#)
- [KIT300NR – Nozzle Retainer](#)
- [KIT300MA – Meter Flange](#)
- [KIT300OT – Straight Outlet Flange](#)
- [KIT300RG – Rotor / Vane / Cover](#)
- [KIT300SG – Check Valve / Strainer](#)
- [KIT700SL – Shaft Seal](#)
- [KIT300SW – Switch Lever](#)
- [KIT300FA – Filter Assembly / MP Swivel](#)
- [KIT700AVBP – Bulk Anti-Siphon Body](#)
- [KIT300IP – Bulk Rotor Inserts](#)
- [KIT300VP – Bulk Vane and Key](#)
- [KIT300RIP – Bulk Rotor and Rotor Insert](#)
- [KIT300CVP – Bulk Check Valve / Strainer](#)
- [KIT300BVP – Bulk Bypass Valve](#)
- [KIT300GBP – Bulk Rotor Cover Gasket](#)
- [KIT300FGP – Bulk Discharge Flange Gasket](#)
- [KIT300GSK – Bulk Inlet Flange Gasket](#)

# FR3200 Series Pump Kits

---

- [KIT320RK – Rebuild](#)
- [KIT320RG – Rotor / Vane / Cover](#)
- [KIT320MA – Meter Flange](#)
- [KIT320BG – Inlet Flange](#)
- [KIT320BV – Bypass Valve](#)
- [KIT320SK – External Seals](#)
- [KIT320SW – Line Switch / Breaker](#)
- [KIT320SL – Shaft Seal](#)
- [KIT320MK – Motor](#)
- [KIT120NB – Nozzle Boot](#)
- [KIT300FA – Filter Assembly / MP Swivel](#)
- [KIT120SG – Inlet Screen and Gasket](#)
- [KIT120RKP – Bulk Rotor Key](#)
- [KIT100GBP – Bulk Inlet Gasket](#)

# Hand Pump Kits

---

## **30 Series Quart Stroke**

- [30KTF4919 - Rebuild](#)
- [KIT100WGP – Bulk Wood Handle](#)

## **100 Series Rotary**

- [100KTF1214 - Rebuild](#)
- [KIT100WHP – Bulk Shaft Seal](#)
- [KIT120SG – Inlet Screen and Gasket](#)
- [KIT152VBP – Bulk Vacuum Breaker](#)
- [KIT100WGP – Bulk Wood Handle](#)

## **5200 Series Piston**

- [5200KTF1828 – Rebuild](#)
- [KIT152HA – Handle Kit](#)
- [KIT152VBP – Bulk Vacuum Breaker](#)
- [5200F1593 – Old Style Bung](#)

# Meter Kits

---

## **800 Series**

- [800KT - Rebuild](#)
- [KIT800GR – Gallon Register and Faceplate](#)
- [KIT800LR – Liter Register and Faceplate](#)
- [KIT800MK – To Mount Meter to Sml Pmps](#)
- [KIT800FPP – Bulk Gallon Faceplates](#)
- [KIT800LFPP – Bulk Liter Faceplates](#)
- [KIT800REP – Bulk Gallon Registers](#)
- [KIT800LREP – Bulk Liter Registers](#)
- [KIT800CGP – Bulk Buna Cover Gasket](#)

## **900 Series**

- [900KT – Rebuild](#)
- [KIT900GR – Gallon Register and Faceplate](#)
- [KIT900LR – Liter Register and Faceplate](#)
- [KIT900PF – Meter Pump Flange](#)
- [KIT900PF1.5N – 1½” NPT Nkl Meter Flange](#)
- [KIT900PF1.5B – 1½” BSP Nkl Meter Flange](#)
- [KIT900PF1N – 1” NPT Nkl Meter Flange](#)
- [KIT900PF1B – 1” BSP Nkl Meter Flange](#)

## **900 Series Continued**

- [KIT900FPP – Bulk Gallon Faceplates](#)
- [KIT900REP – Bulk Gallon Registers](#)
- [KIT900LFPP – Bulk Liter Faceplates](#)
- [KIT900LREP – Bulk Liter Registers](#)
- [KIT900FGP – Bulk 1½” Meter Flange/Gasket](#)
- [KIT900CGP – Bulk Buna Cover Gasket](#)
- [KIT300GSK – Bulk Inlet / Outlet Flange Gasket](#)

## **900 Digital Series**

- [900DKT – Rebuild](#)
- [KIT900PF – Meter Pump Flange](#)
- [KIT900PF1.5N – 1½” NPT Nkl Meter Flange](#)
- [KIT900PF1.5B – 1½” BSP Nkl Meter Flange](#)
- [KIT900PF1N – 1” NPT Nkl Meter Flange](#)
- [KIT900PF1B – 1” BSP Nkl Meter Flange](#)
- [KIT900DPBA – Intrinsically Safe Barrier](#)
- [KIT900CABINT – 900 Digital Meter for Cabinets \(902 / 302\)](#)



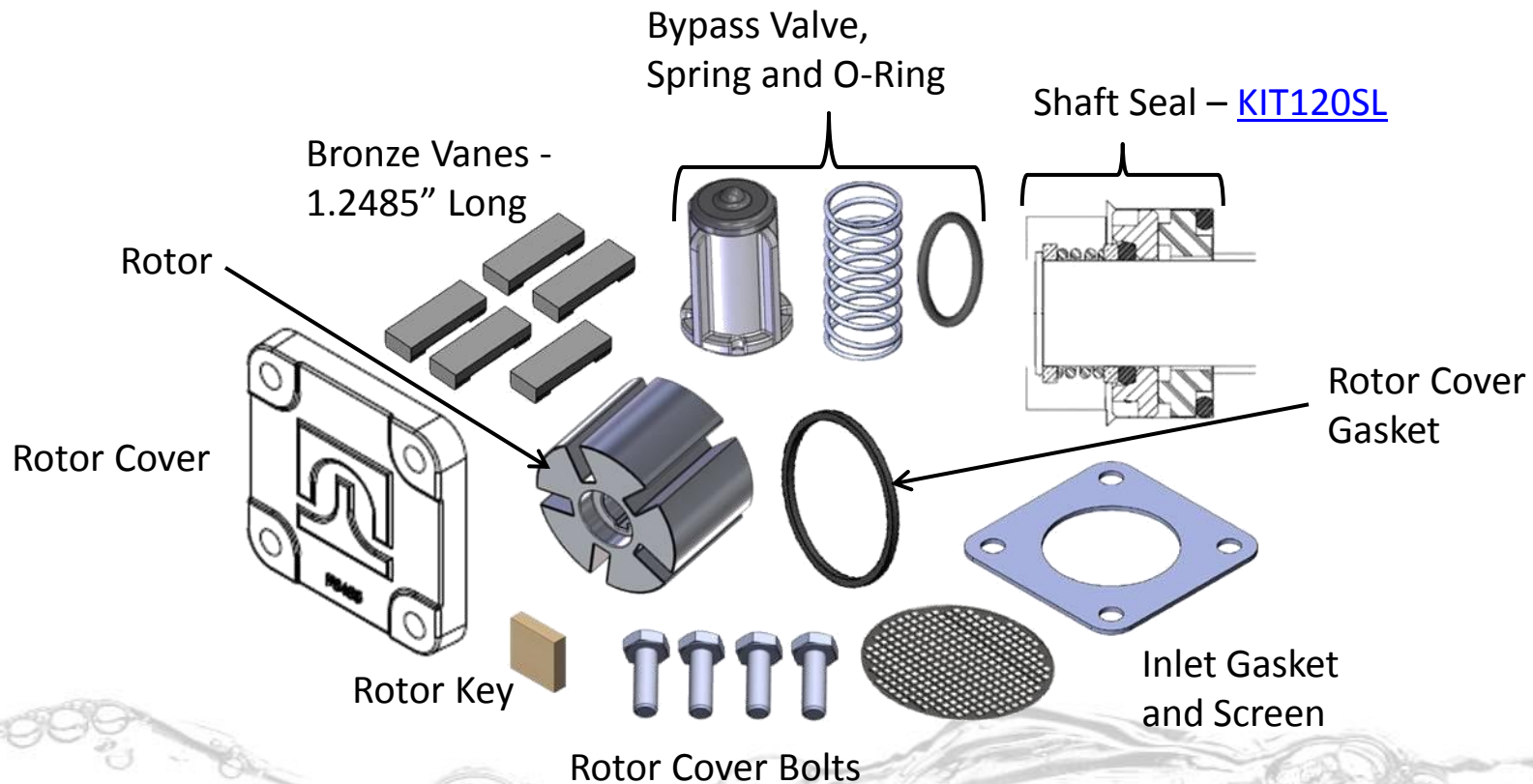
# FR702 Series Pump Kits

---

- [702KTF3518 – Unv Nozzle Boot / Switch Rod](#)

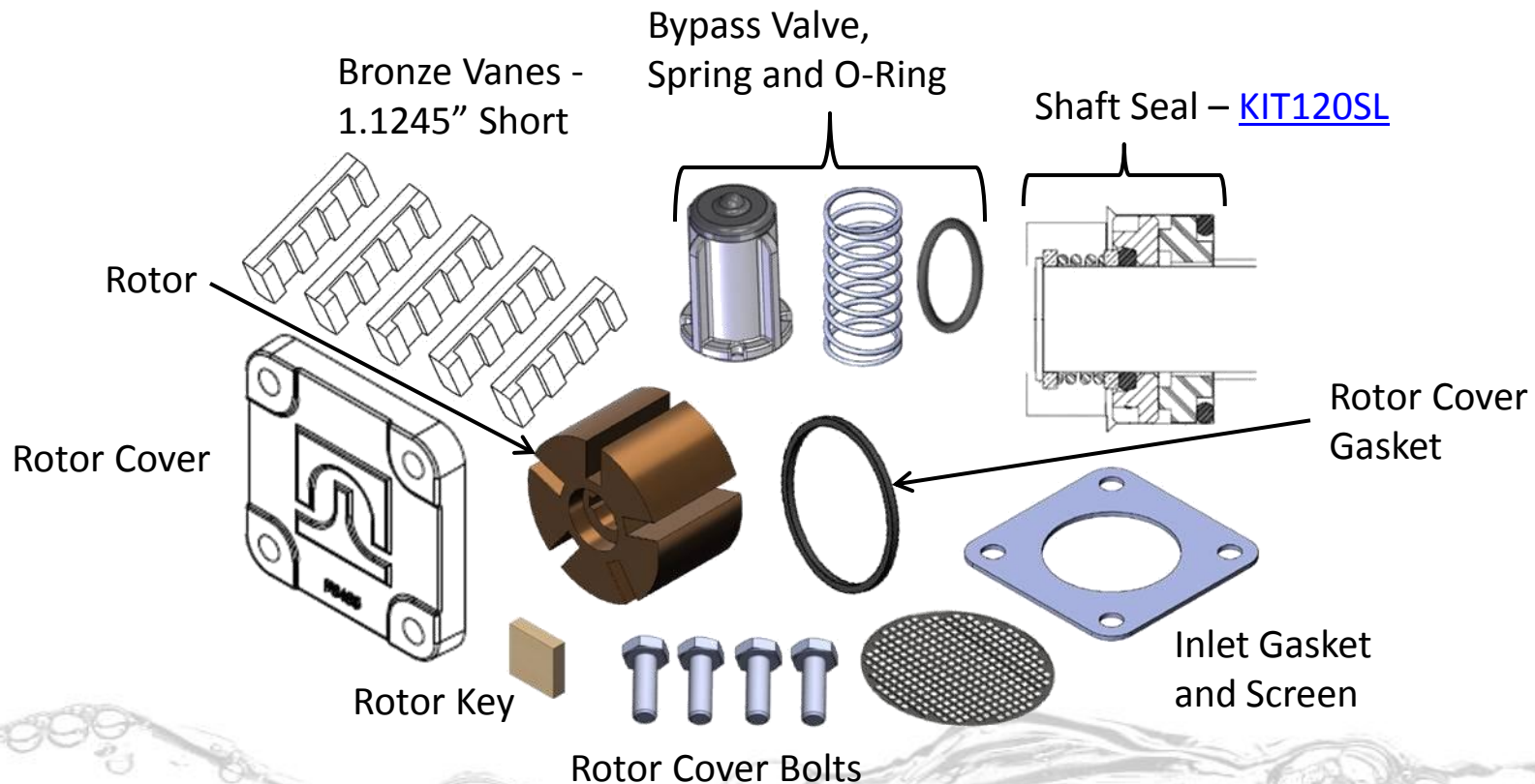
# 4200KTF8739 Rebuild Kit

- Used in all FR1200C, FR2400C, FR4200D, FR4400, and FR600 Pumps.
- Used in SD1200 and SD600 Pumps with a Manufacture date after 4404.
- Always replace the rotor and rotor cover to ensure they are the same hardness.



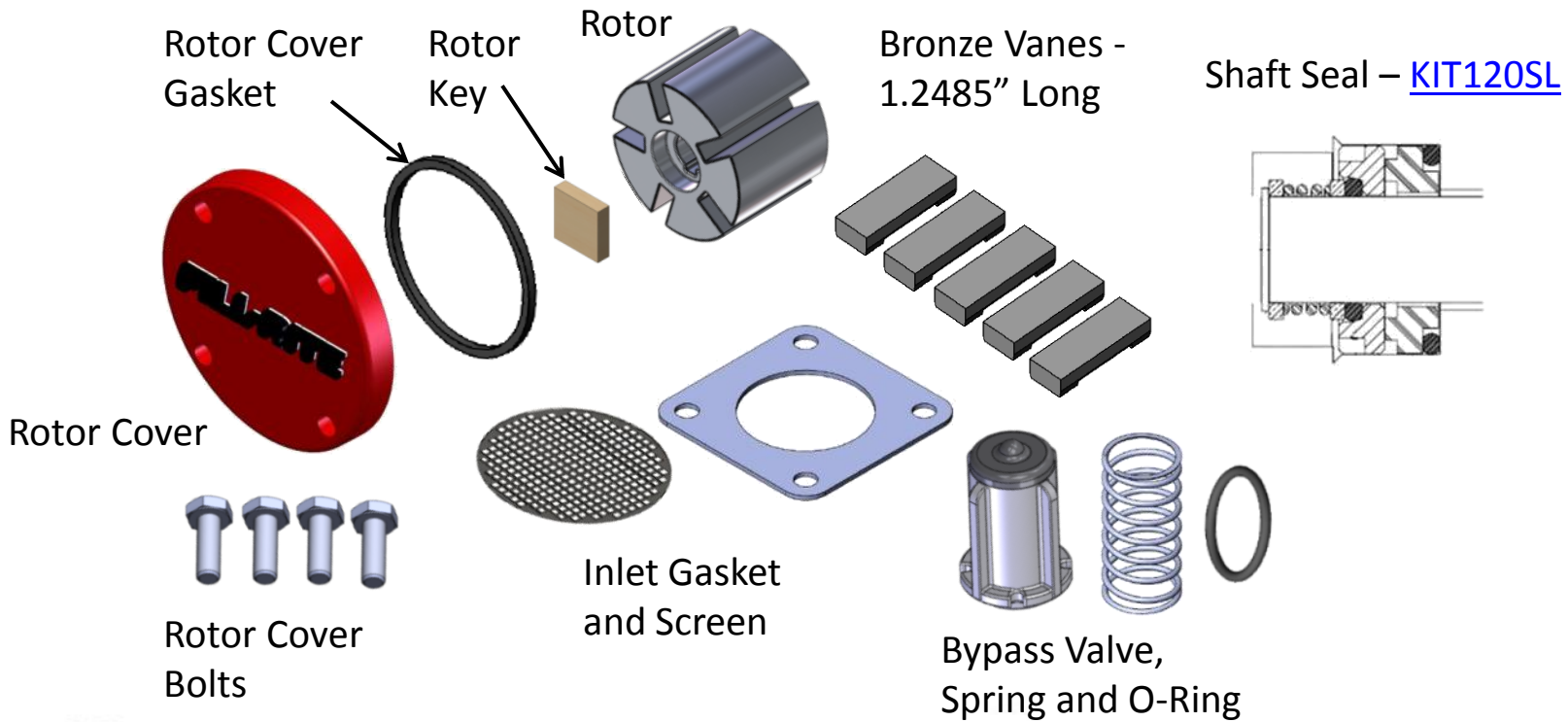
# 1200KTG8572 Rebuild Kit

- Used in all FR1200B and FR2400B Pumps.
- Used in SD1200 and SD600 Pumps with a Manufacture date before 4404.
- Always replace the rotor and rotor cover to ensure they are the same hardness.



# KIT120RKG Rebuild Kit

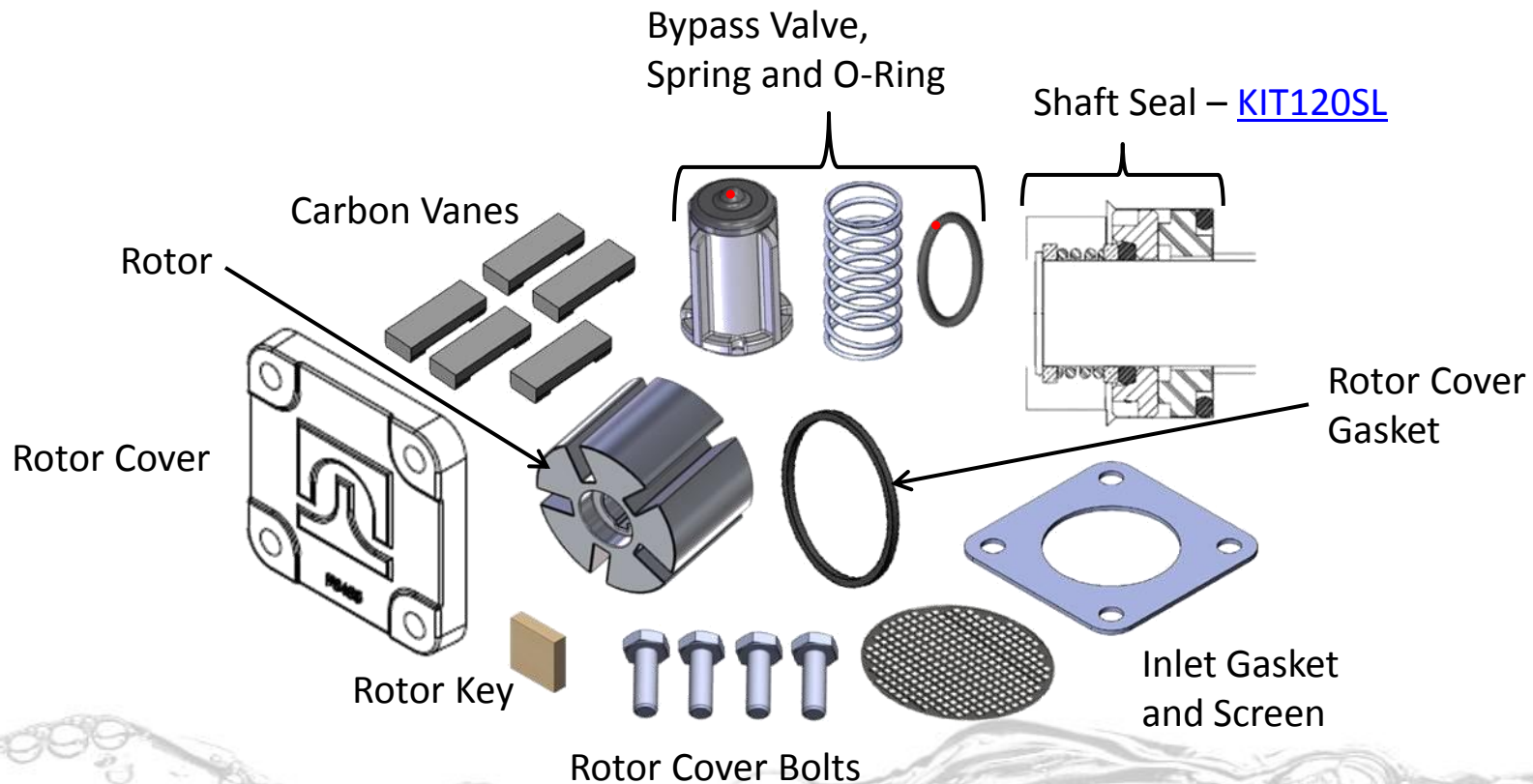
- Used in all FR1200G, FR2400G, FR4200G, FR4400G, and FR600G, SD1200G, and SD600G series pumps.



# BD4200KTH0710 Bio-Diesel Rebuild Kit

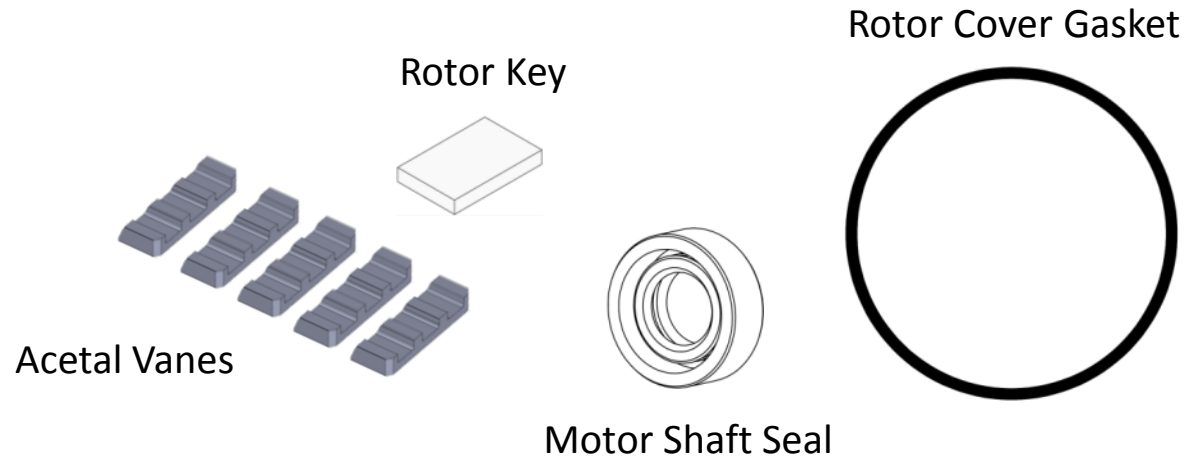
- Used in all BD1200 and BD4200 Pumps.
- Always replace the rotor and rotor cover to ensure they are the same hardness.

- O-Rings will be brown or black with a red dot.
- Tip on bypass valve will be black with red dot.
- Inlet gasket is black.
- All rubber components are fluorocarbon (Viton).



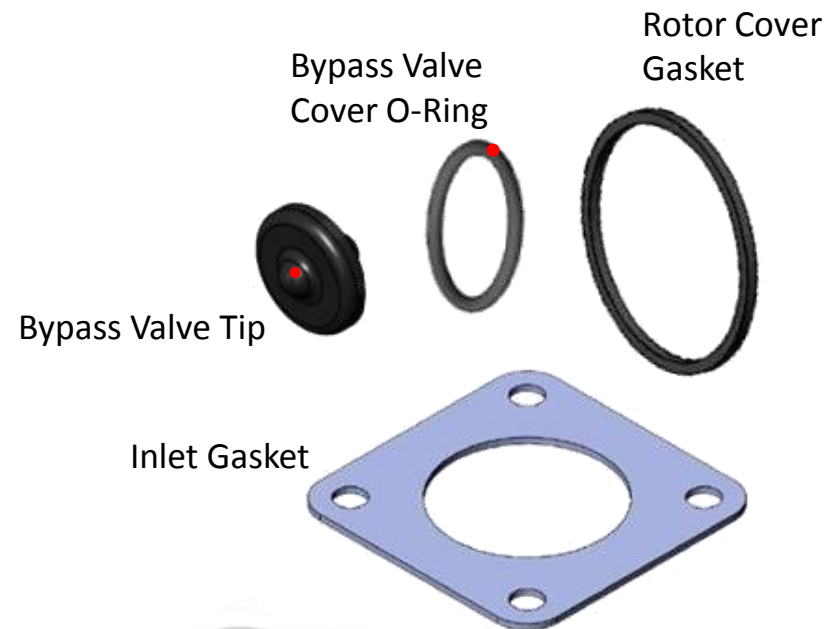
# KITFR1612 – Rebuild Kit

- Used in FR1600 Series Pumps (FR1612, FR1614, and FR1616)



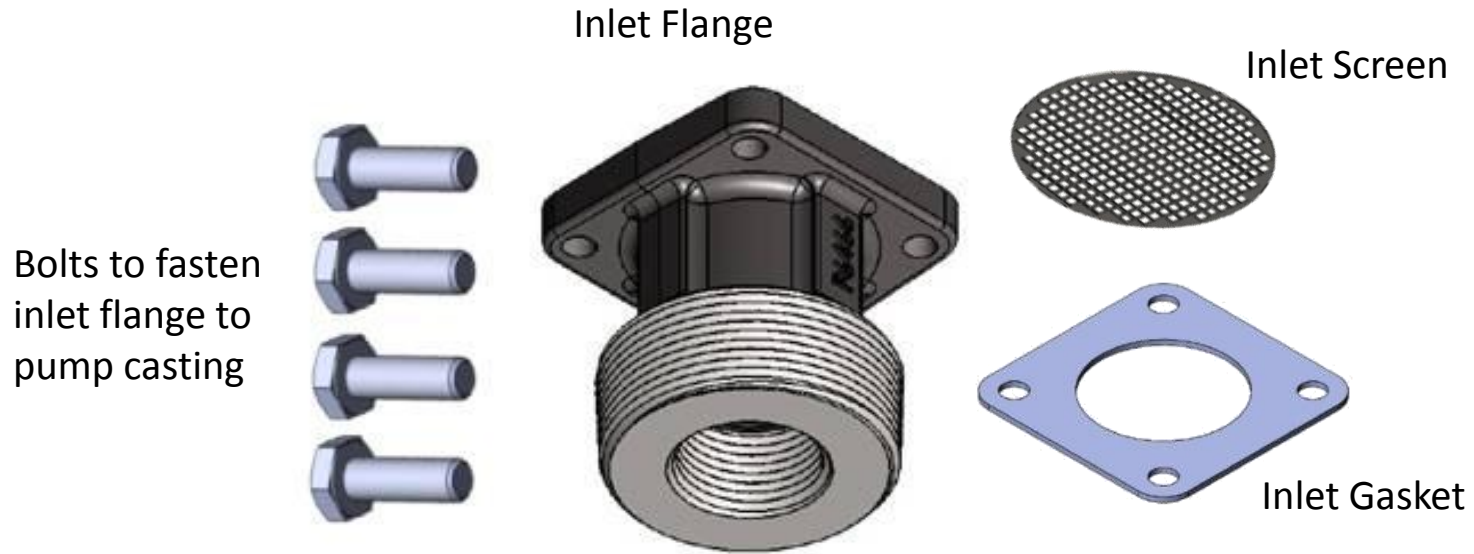
# KIT120BD – Bio-Diesel / E85 Conversion Kit

- Use to convert any FR1200 / FR2400 / FR4200 / FR4400 / FR600 / SD1200 / SD600 to be used with Bio-Diesel blends of B21 or greater, or E85.
- When dispensing E85, run the pump at a minimum of 3 times a week to ensure no water builds up in the pump and causes it to rust and lock up.
- All of the items in this kit are made of Fluorocarbon (Viton).
  - The o-rings will either be brown or black. If black, they will have a red paint spot.
  - The rubber tip for the bypass valve will have a red paint spot.
  - The inlet gasket is black.



# KIT120BG – Inlet Flange Kit

- For all FR1200, FR2400, FR4200, FR4400, FR600, SD1200, and SD600 Pumps.

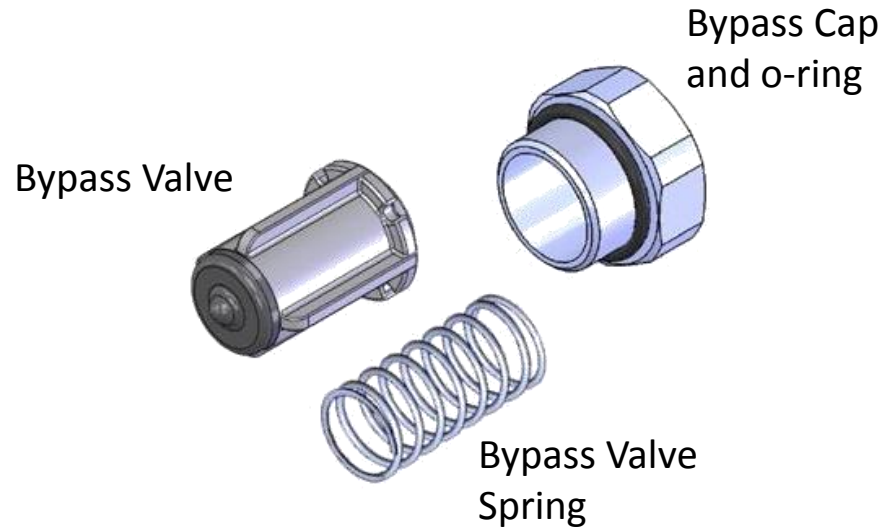




# KIT120BV – Bypass Valve Kit

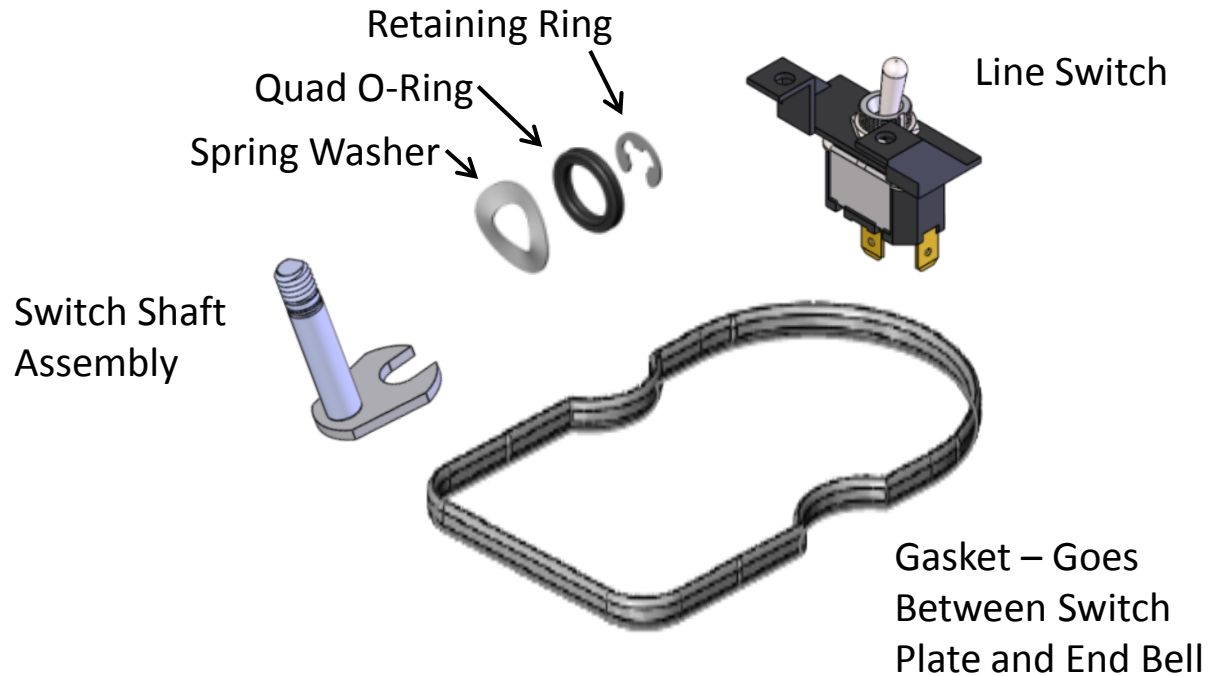
---

- For all FR1200, FR2400, FR4200, FR4400, FR600, SD1200, and SD600 Pumps.



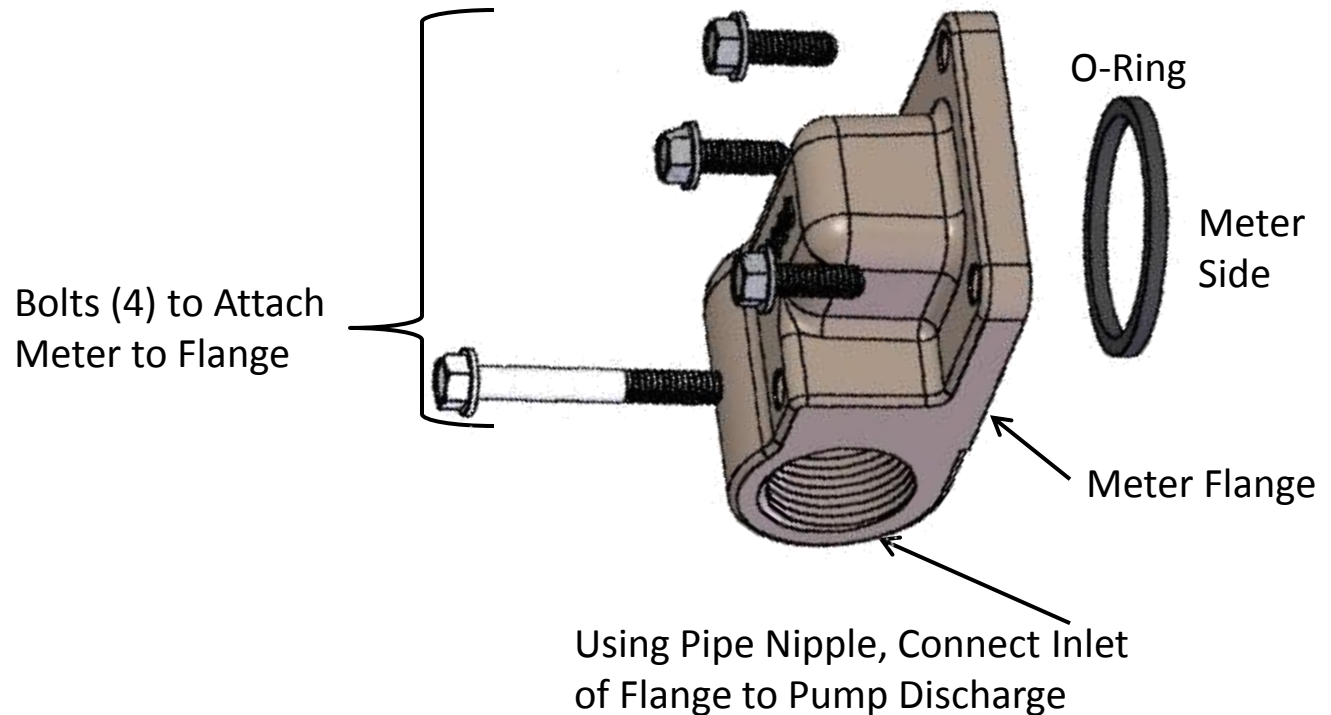
# KIT120ES – Line Switch and Shaft Kit

- For all FR1200, FR2400, FR4200, FR4400, FR600, SD1200, and SD600 Pumps.



# KIT120FLG – 1" Meter Flange for 4200 Pumps

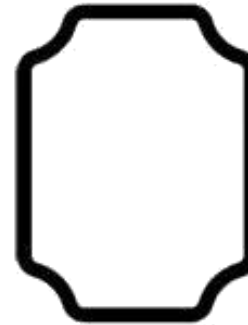
- For use with FR4200 and FR4400 Pumps.
- This is the old 305F0998 flange.



# KIT120JC – Junction Box Cover Kit

- For all FR1200, FR2400, FR4200, FR4400, FR600, SD1200, and SD600 Pumps.

Junction Box Cover –  
Will Have Danger Label  
Applied in Kit



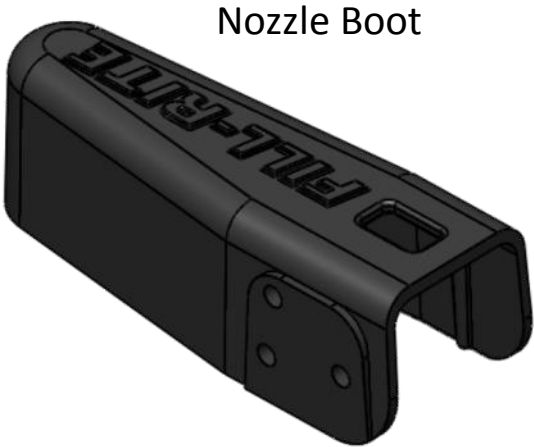
Junction Box Cover  
Gasket



Screws (4) to Attach  
Cover to Pump

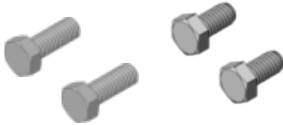
# KIT120NB – Nozzle Boot Kit

- For all FR1200, FR2400, FR4200, FR4400, FR600, SD1200, SD600, FR700, FR300 and FR3200 Pumps.

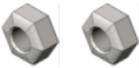


Nozzle Boot

Screws (4) to Attach Nozzle Boot to Pump

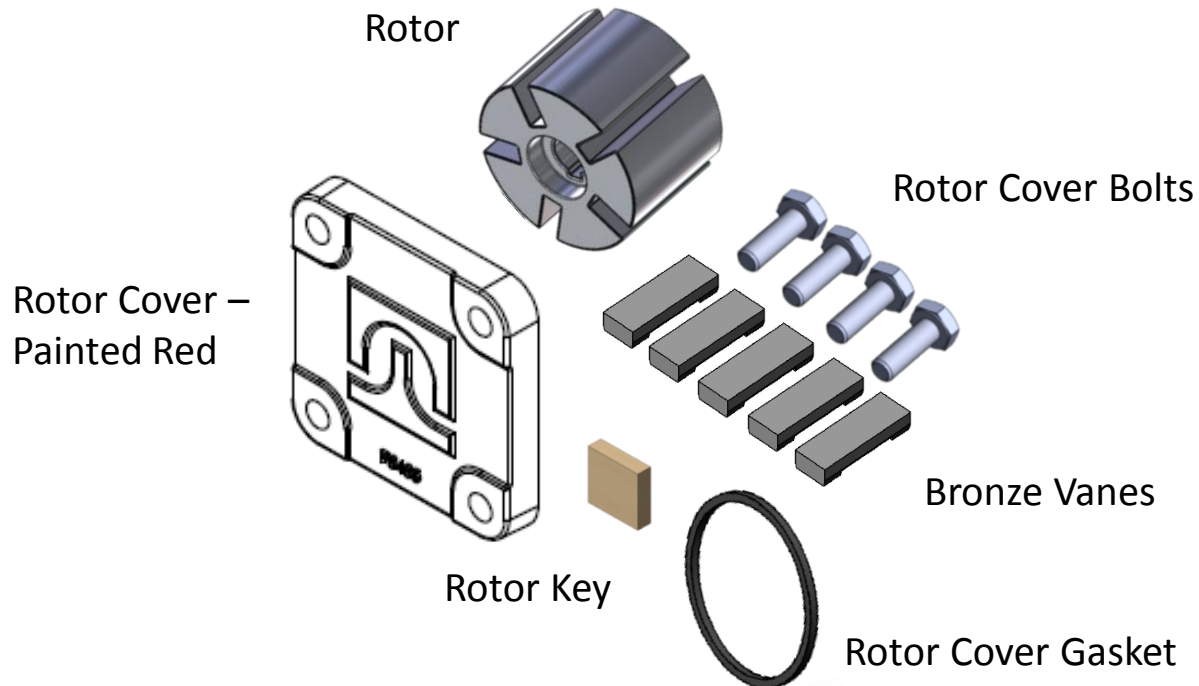


Locknuts (2)



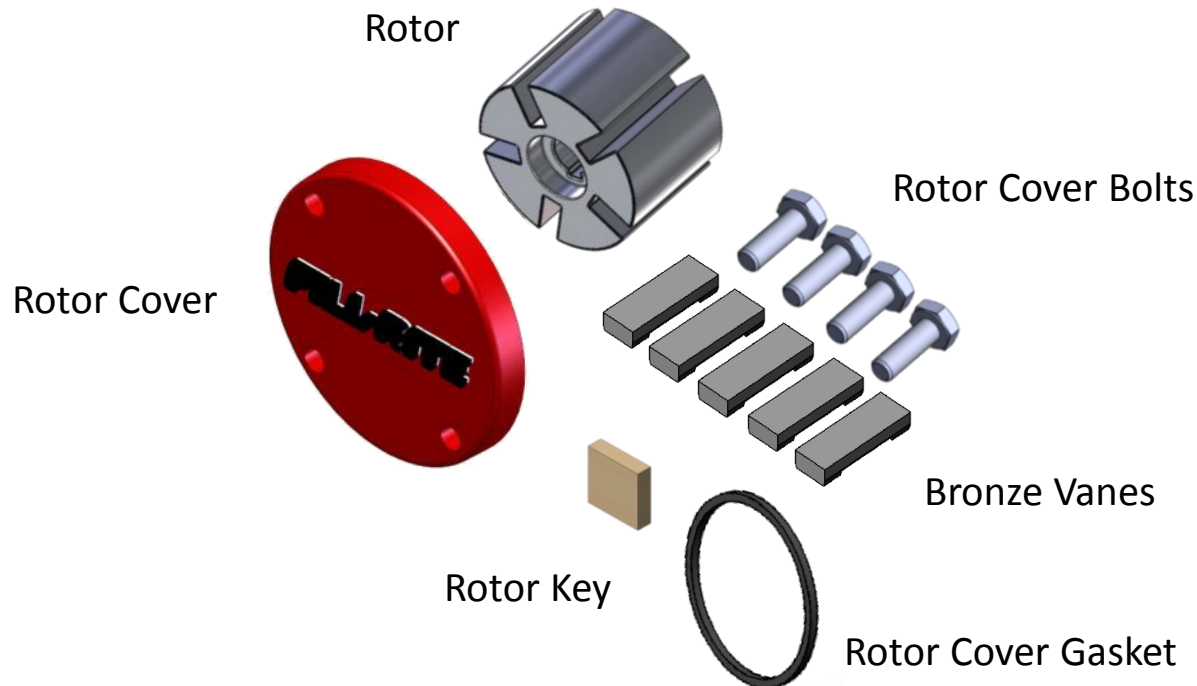
# KIT120RG – Rotor Group Kit

- For all FR1200, FR2400, FR4200, FR4400, FR600, SD1200, and SD600 Pumps.
- Always replace the rotor and rotor cover to ensure they are the same hardness.



# KIT120RGG – Rotor Group Kit – G Pumps

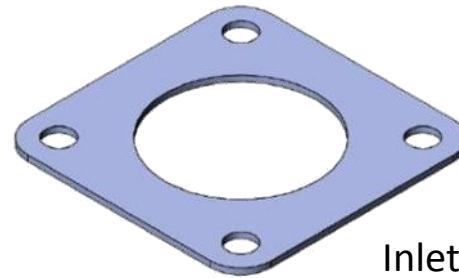
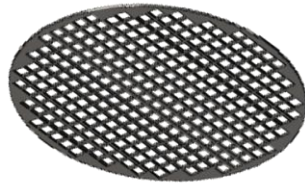
- For all FR1200G, FR2400G, FR4200G, FR4400G, FR600G, SD1200G, and SD600G Pumps.
- Always replace the rotor and rotor cover to ensure they are the same hardness.



# KIT120SG – Inlet Screen and Gasket Kit

- For all FR1200, FR2400, FR4200, FR4400, FR600, SD1200, SD600, 3200 and 100 Series Pumps.

Inlet Screen

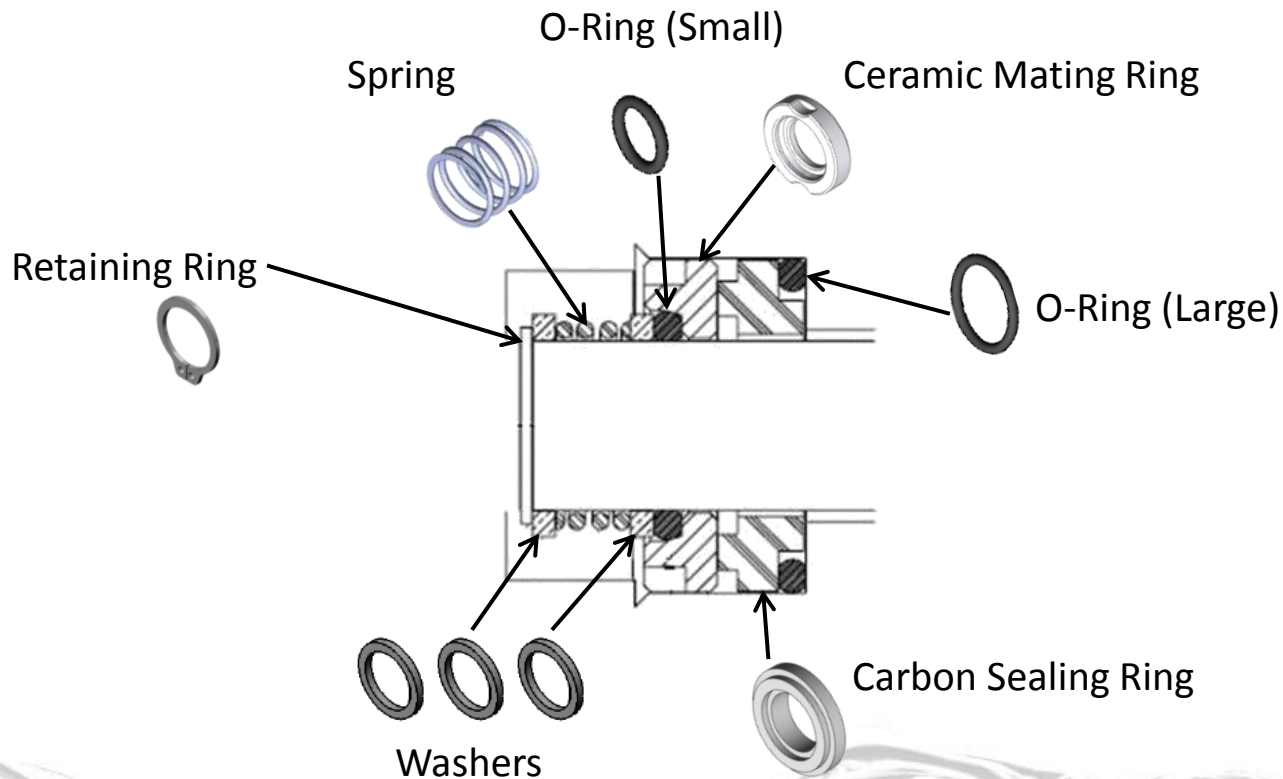


Inlet Gasket –  
Material is  
Cork and Buna



# KIT120SL – Shaft Seal Kit

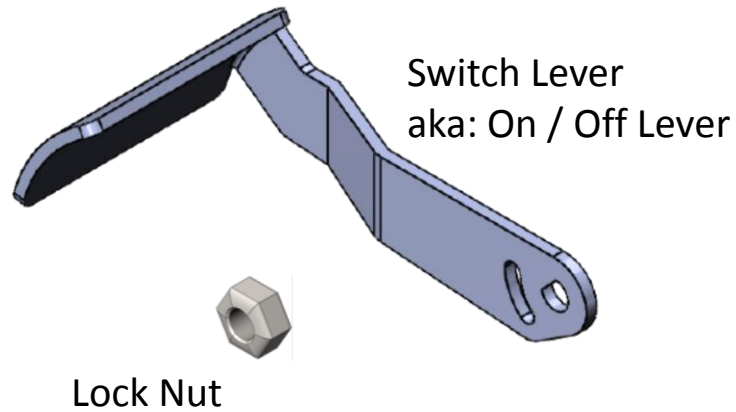
- For all FR1200, FR2400, FR4200, FR4400, FR600, SD1200, and SD600 Pumps.
- Depending on the age of your pump, you may need to use 1, 2 or all 3 of the washers. Instructions are included in the kit.



# KIT120SW – Switch Lever Kit

---

- For all FR1200, FR2400, FR4200, FR4400, FR600, SD1200, and SD600 Pumps.

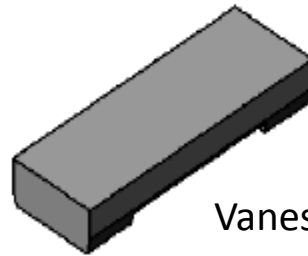


# KIT120VP – Bulk Vane Kit

---

- For all FR1200, FR2400, FR4200, FR4400, FR600, SD1200, and SD600 Pumps.

Rotor Key – 10 Pieces

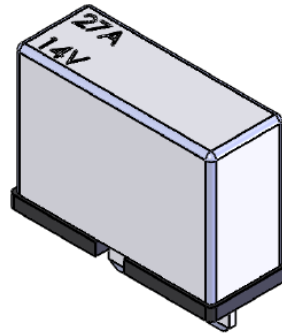


Vanes – 50 Pieces

# KIT120TPP – Bulk Thermal Protector Kit

---

- For all FR1200, FR4200, and SD1200 Pumps.

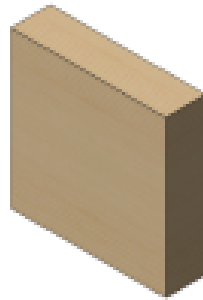


Thermal Protector – 10 Pieces

# KIT120RKP – Bulk Rotor Key Kit

---

- For all FR1200, FR2400, FR4200, FR4400, FR600, SD1200, SD600, and 3200 Pumps.



Rotor Key – 15 Pieces

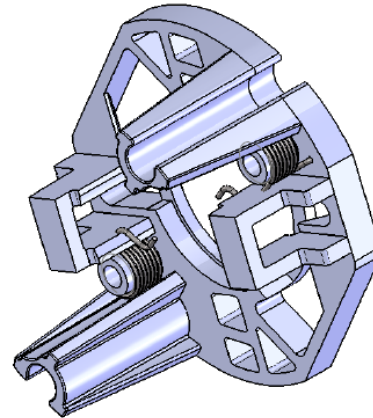
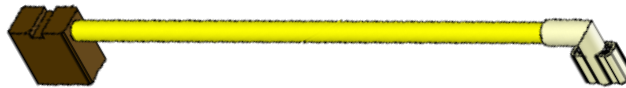
# KIT120RHP – Bulk Brush and Holder Kit

- For all FR1200, FR2400, FR4200, FR4400, and SD1200.

Negative Brush– 5 Pieces



Positive Brush – 5 Pieces

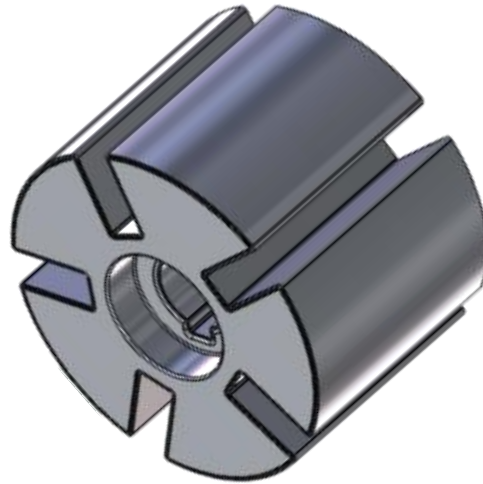


Brush Holder – 5 Pieces

# KIT120RGP – Bulk Rotor Kit

---

- For all FR1200, FR2400, FR4200, FR4400, FR600, SD1200, and SD600 Pumps.

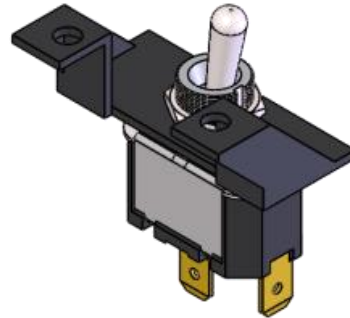


Rotor – 5 Pieces

# KIT120ESP – Bulk Line Switch Kit

---

- For all FR1200, FR2400, FR4200, FR4400, SD1200, SD600, and FR700 Series Pumps.
- This is a single pole, single throw switch.



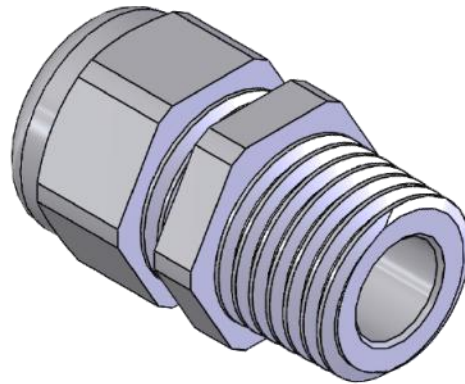
Line Switch – 10 Pieces



# KIT120CCP – Bulk Cable Connector Kit

---

- For all FR1200, FR2400, FR4200, FR4400, and SD1200 Pumps.

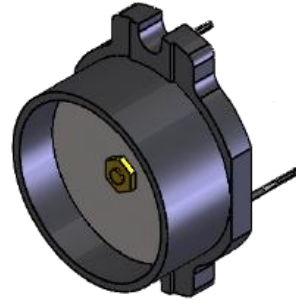


Cable Connector – 15 Pieces

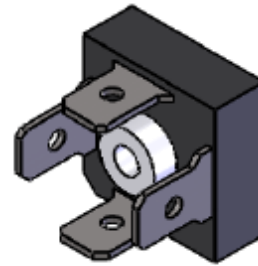
# KIT120BRP – Bulk Thermal and Rectifier Kit

---

- For all FR600 and SD600 Pumps.



Thermal Protector – 5 Pieces

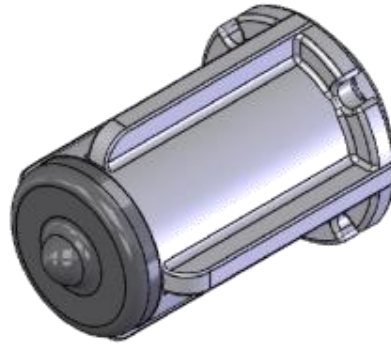


Rectifier – 5 Pieces (Includes  
Nylon Washer and Screw)

# KIT120BPP – Bulk Bypass Valve Kit

---

- For all FR1200, FR2400, FR4200, FR4400, FR600, SD1200, SD600, and FR700 Series Pumps.

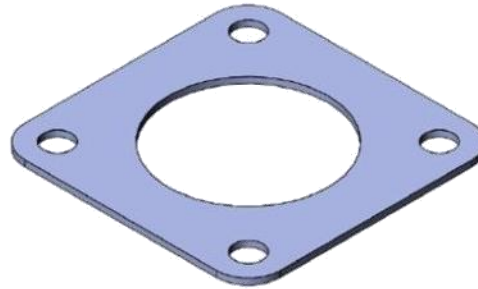


Bypass Valve – 10 Pieces

# KIT100GBP – Bulk Inlet Gasket Kit

---

- For all FR100, FR1200, FR2400, FR4200, FR4400, FR600, SD1200, SD600, and 3200 Pumps.



Inlet Gasket (Cork and Buna-N) – 15 Pieces

# KIT120CP – Bulk Capacitor Kit

---

- For all FR1200, FR2400, FR4200, and FR4400 Pumps with the “E” Option.
- “E” Option = Approvals for Europe, Australia, New Zealand, and Brazil.

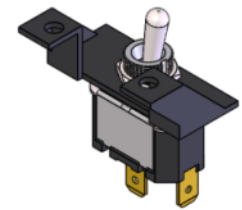
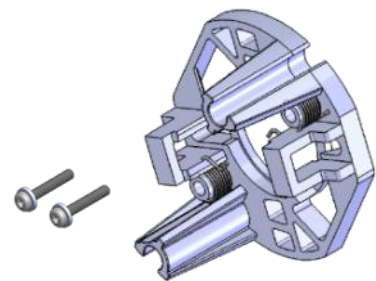
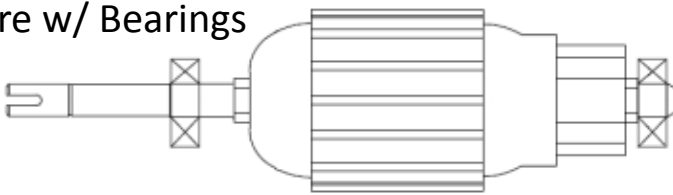


Capacitor - 10 Pieces

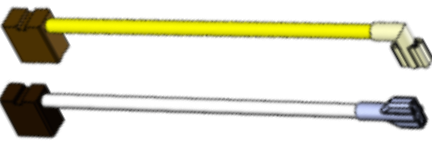
# KIT120MPAM – FR1200 / SD1200 Motor Kit

- For FR1200 and SD1200 Pumps.

Armature w/ Bearings



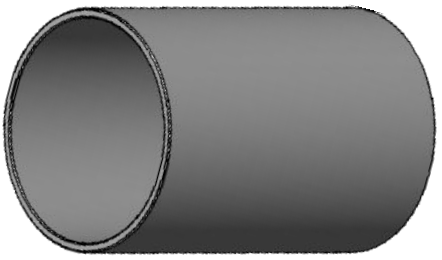
Line Switch



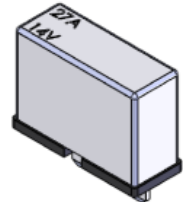
Brush Holder, Brush Holder Screws (2), Positive and Negative Brush



Switch Plate Gasket



Motor Sleeve w/ Magnets



Thermal Protector

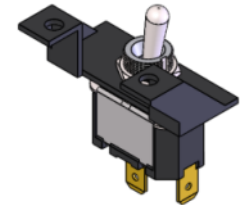
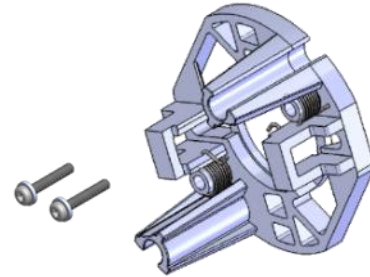
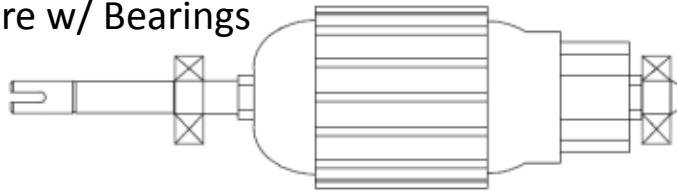
[KIT120SL](#) – Shaft Seal



# KIT121MPAM – FR2400 Motor Kit

- For FR2400 Pumps.

Armature w/ Bearings



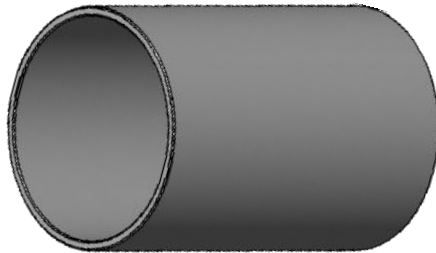
Line Switch



Brush Holder, Brush Holder Screws (2), Positive and Negative Brush



Switch Plate Gasket



Motor Sleeve w/ Magnets



Thermal Protector

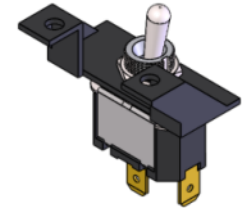
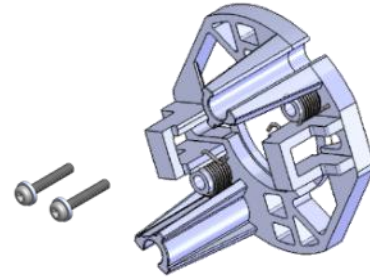
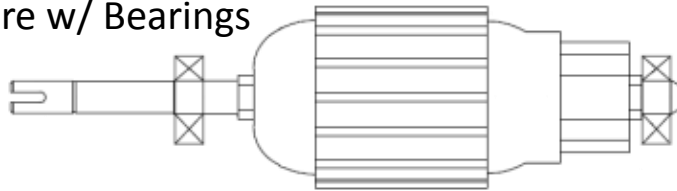
[KIT120SL](#) – Shaft Seal



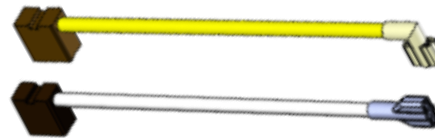
# KIT122MPAM – FR4200 Motor Kit

- For FR4200 Pumps.

Armature w/ Bearings



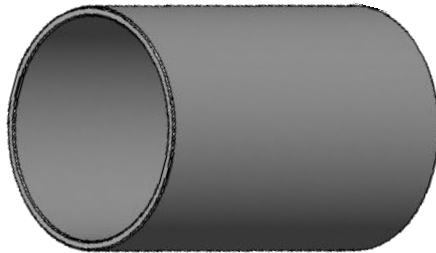
Line Switch



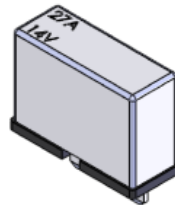
Brush Holder, Brush Holder Screws (2), Positive and Negative Brush



Switch Plate Gasket



Motor Sleeve w/ Magnets



Thermal Protector

[KIT120SL](#) – Shaft Seal

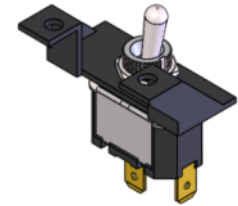
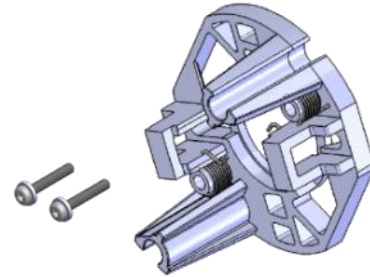
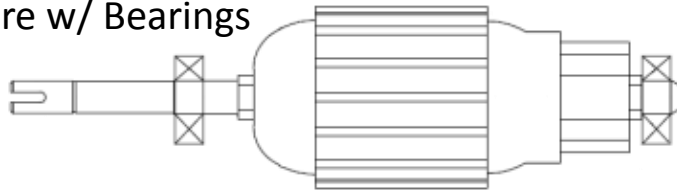




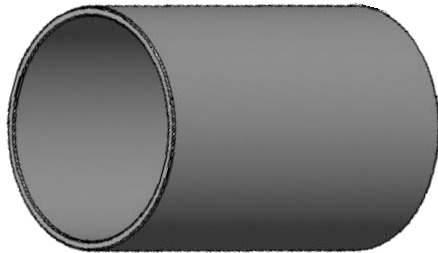
# KIT123MPAM – FR4400 Motor Kit

- For FR4400 Pumps.

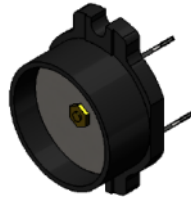
Armature w/ Bearings



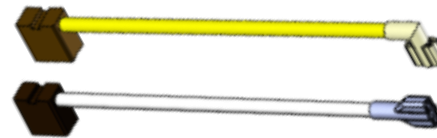
Line Switch



Motor Sleeve w/ Magnets



Thermal Protector



Brush Holder, Brush Holder Screws (2), Positive and Negative Brush



Switch Plate Gasket

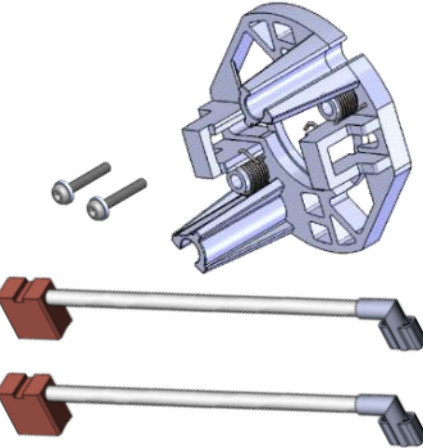
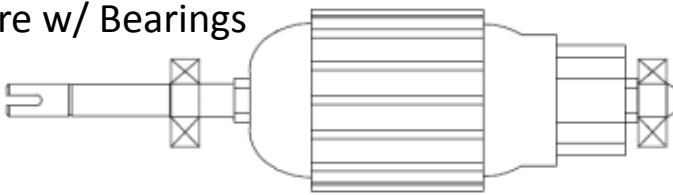
[KIT120SL](#) – Shaft Seal



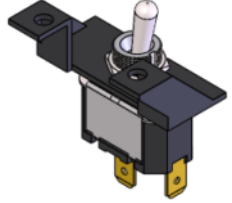
# KIT124MPAM – FR600 / SD600 Motor Kit

- For FR600 and SD600 Pumps.

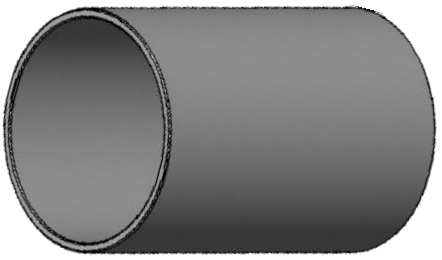
Armature w/ Bearings



Brush Holder, Brush Holder Screws (2), Brushes (2)



Line Switch



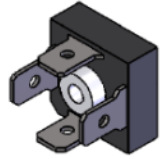
Motor Sleeve w/ Magnets



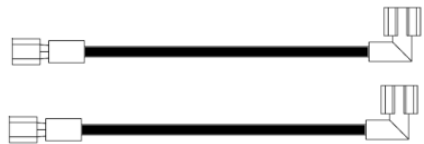
Thermal Protector



Switch Plate Gasket



Rectifier



Black Wire (2)

[KIT120SL](#) – Shaft Seal



# 700KTF2659 Rebuild Kit

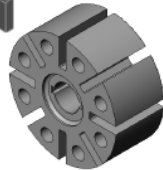
- For all FR700B and FR700V series Pumps.
- Always replace the rotor, rotor cover, and rotor cover bolts to ensure they are the same hardness.

Shaft Seal Assembly – [KIT700SL](#)

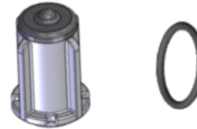
Carbon Vanes



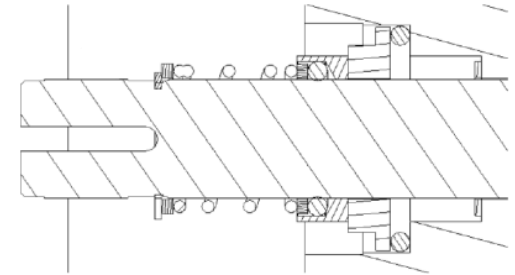
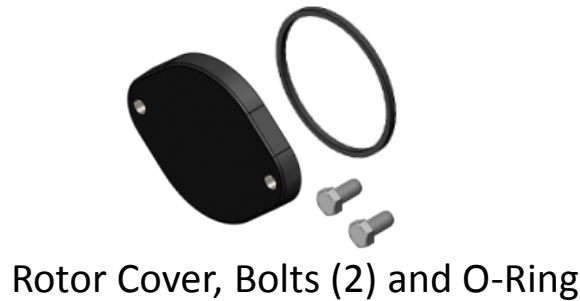
Rotor



Bypass Valve and O-Ring



Rotor Key



Inlet Flange Gasket



Strainer Cap Gasket



Check Valve Gasket

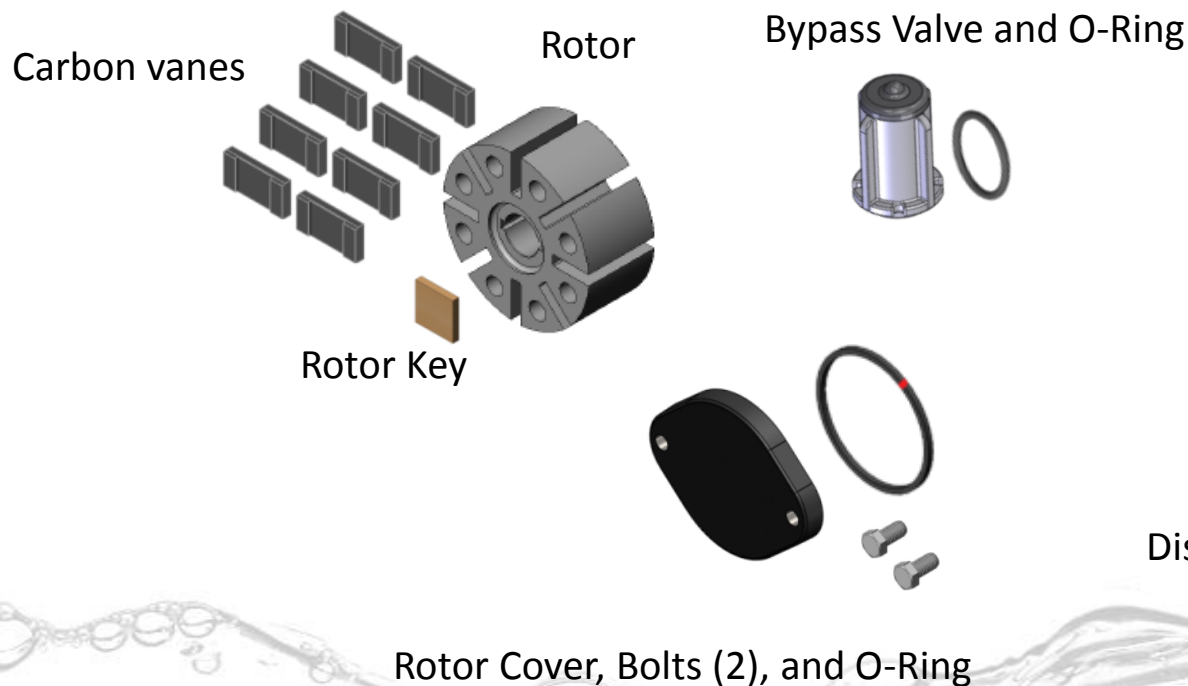


Discharge Flange / Meter Gasket

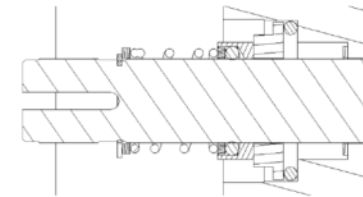


# BD700KTH0711 – Bio-Diesel Rebuild Kit

- For BD700V or an FR700 series pump that has been converted using the KIT700BD Kit.
- All gaskets and bypass tip are Fluorocarbon.
- Always replace the rotor, rotor cover, and rotor cover bolts to ensure they are the same hardness.




Shaft Seal Assembly – [KIT700SL](#)



Inlet Flange Gasket



Strainer Cap Gasket

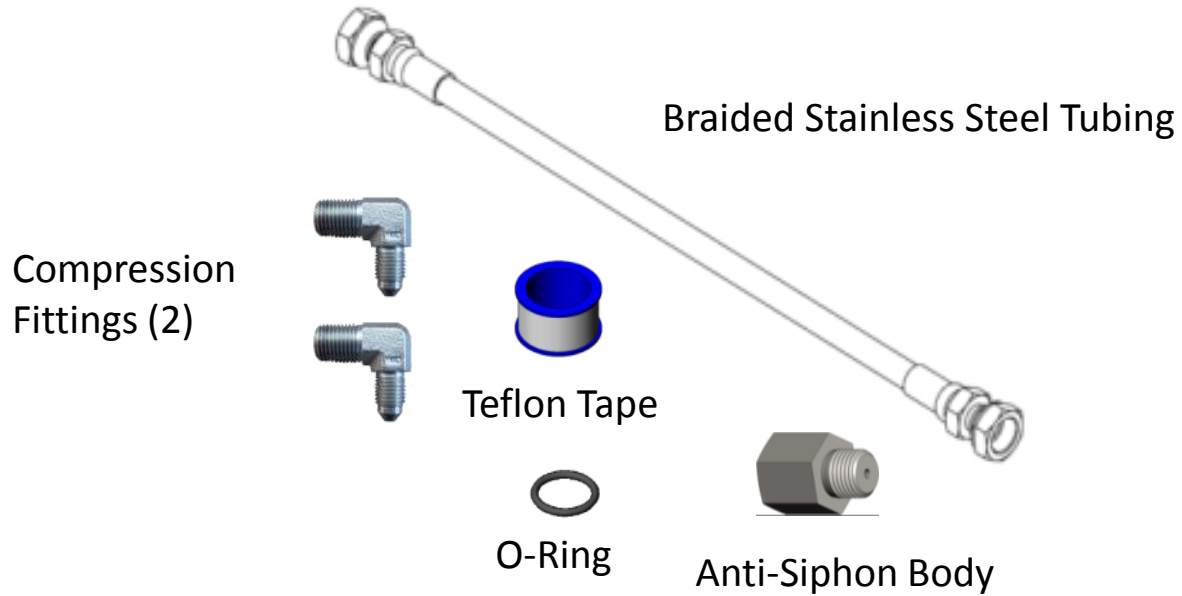


Discharge Flange Gasket



# KIT700AS – Anti-Siphon Kit

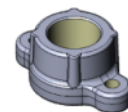
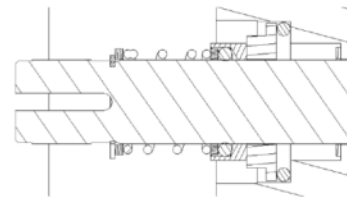
- Used with FR300 and FR700 Series Pumps.



# KIT700BD – Bio-Diesel / E85 Conversion Kit

- Use to convert any FR700B or FR700V to be used with Bio-Diesel blends of B21 or greater, or E85.
- When dispensing E85, run the pump at a minimum of 3 times a week to ensure no water builds up in the pump and causes it to rust and lock up.
- All of the items in this kit are made of Fluorocarbon (Viton).
  - The o-rings will either be brown or black. If black, they will have a red paint spot.
  - The rubber tip for the bypass valve will have a red paint spot.

Shaft Seal – [KIT700SL](#)



700B Discharge Flange



Bypass Valve Tip

Strainer Cap Gasket



Rotor Cover Gasket



Bypass Cap Gasket



Discharge Flange Gasket



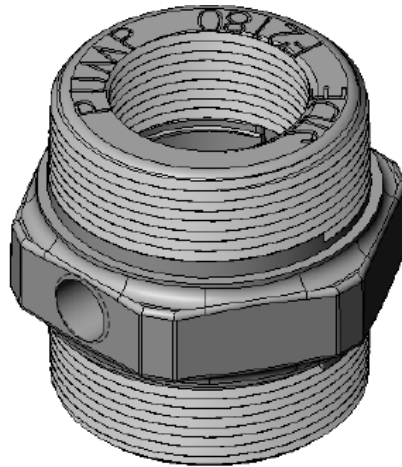
Inlet Flange Gasket



# KIT700BG – Bung Adapter Kit

---

- Used with FR700 and FR300 Series Pumps.
- 2" NPT Threads for Pump and Tank.
- 1¼" NPT Threads for Suction Pipe.

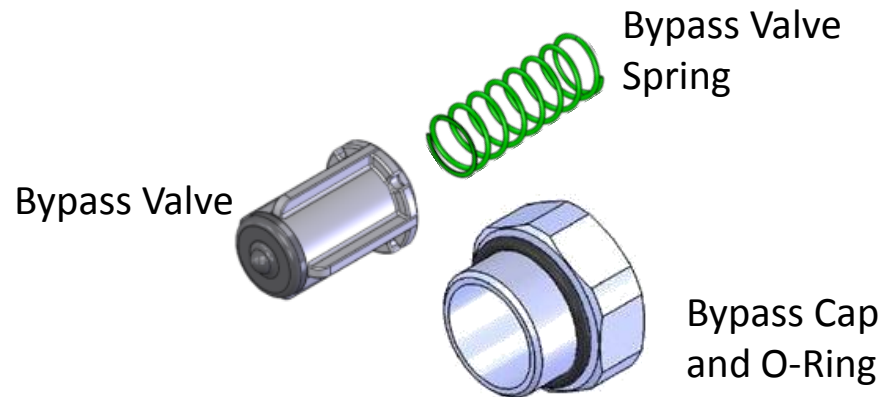


Bung Adapter – Painted Red

# KIT700BV – Bypass Valve Kit

---

- Used with FR700 Series Pumps.





# KIT700CV – Check Valve Kit

---

- Used with FR700 Series Pumps.

Check Valve  
Assembly



O-Ring for Base of  
Check Valve

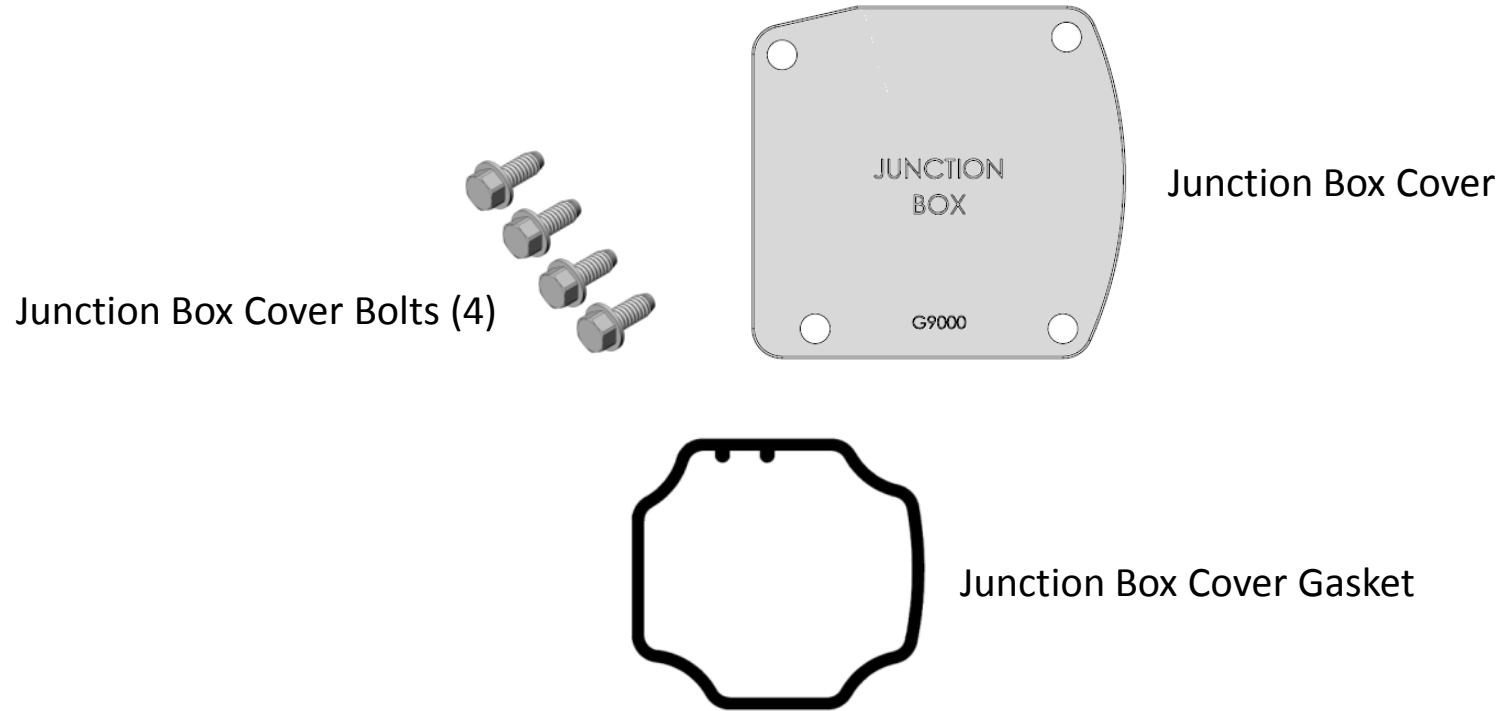


Discharge Flange  
O-Ring

# KIT700JC – Junction Box Cover Kit

---

- Used with FR700 Series Pumps.

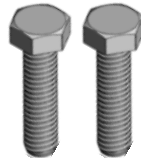


# KIT700MA – Meter Flange Kit

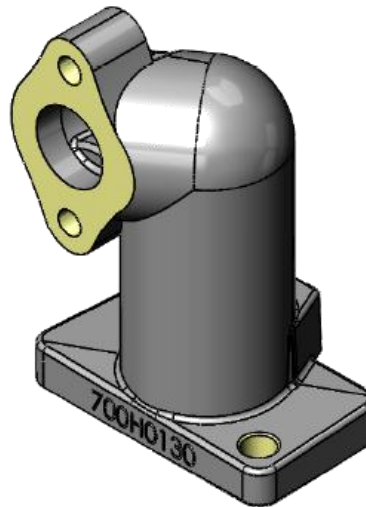
- Used with FR700 Series Pumps to mount an 800 series  $\frac{3}{4}$ " meter to the pump.
- To mount a 1" 900 series meter to the 700V series pumps, use [KIT900PF](#).

Pump Discharge Flange for Meter

Bolts to Attach  
Meter to Flange



Bolts to Attach  
Flange to Pump



Button Head Cap Screw



O-Ring for Button  
Head Cap Screw



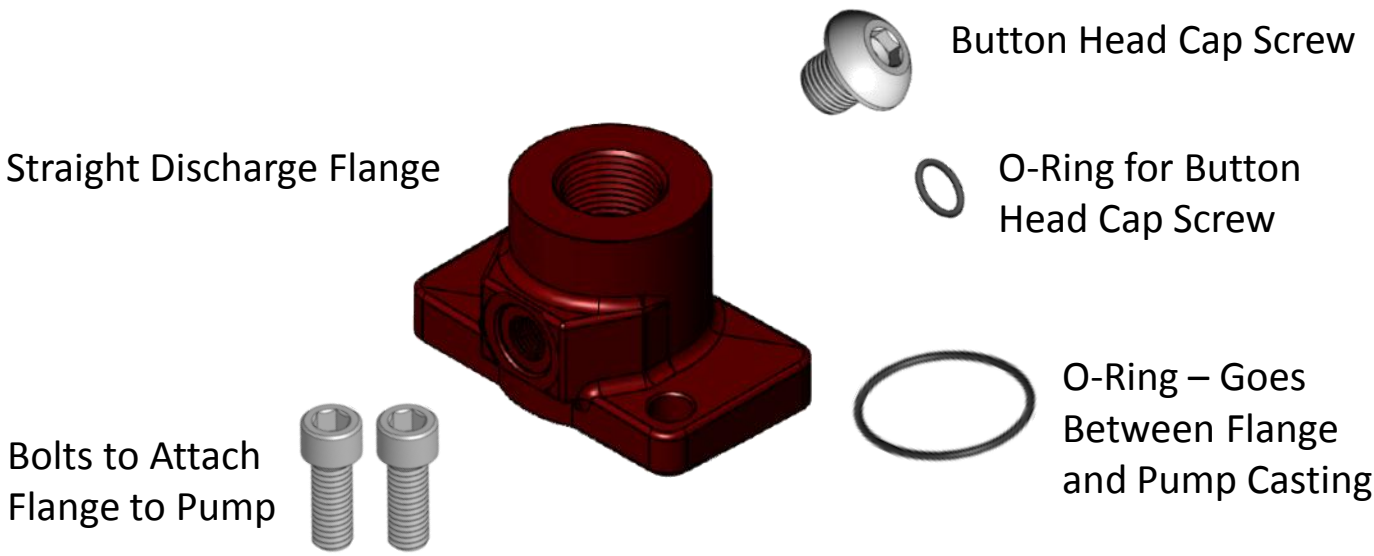
O-Ring – Goes  
Between Flange  
and Pump Casting



O-Ring – Goes  
Between Flange  
and Meter

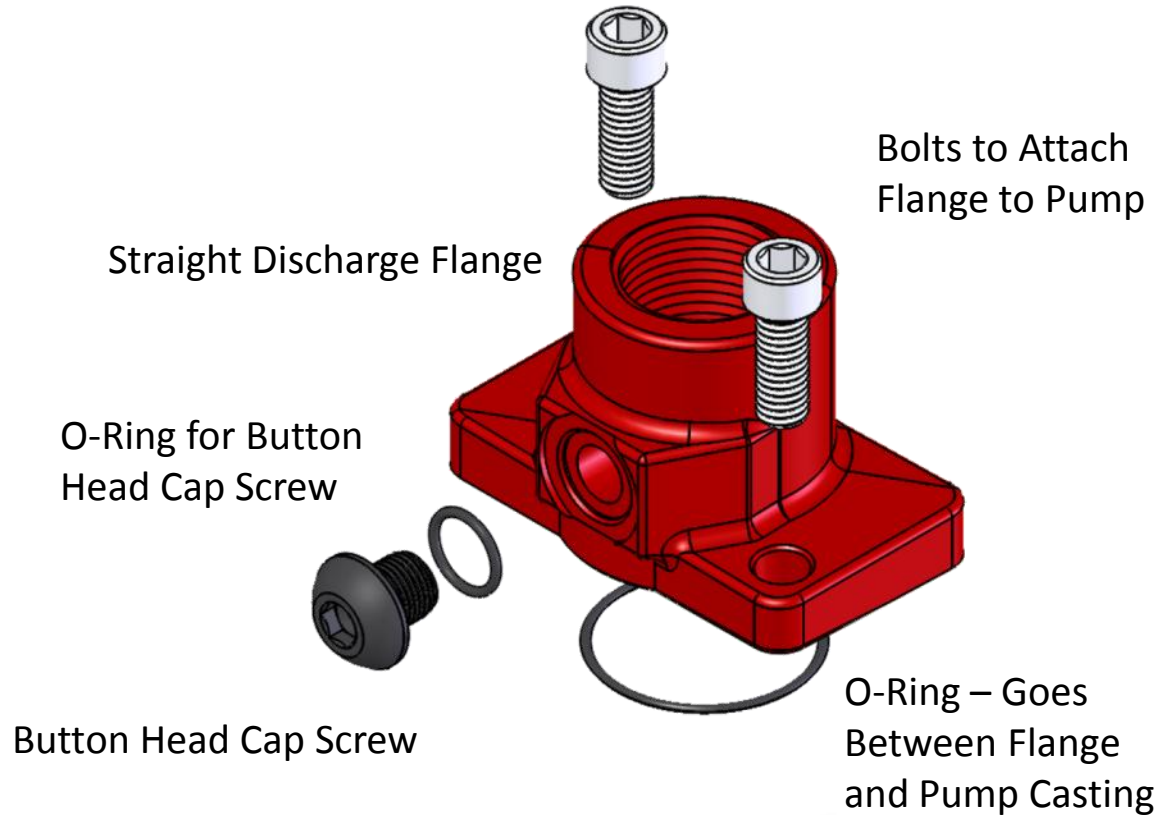
# KIT700OT – Straight 3/4" Outlet Flange Kit

- Used with FR700V Series Pumps.



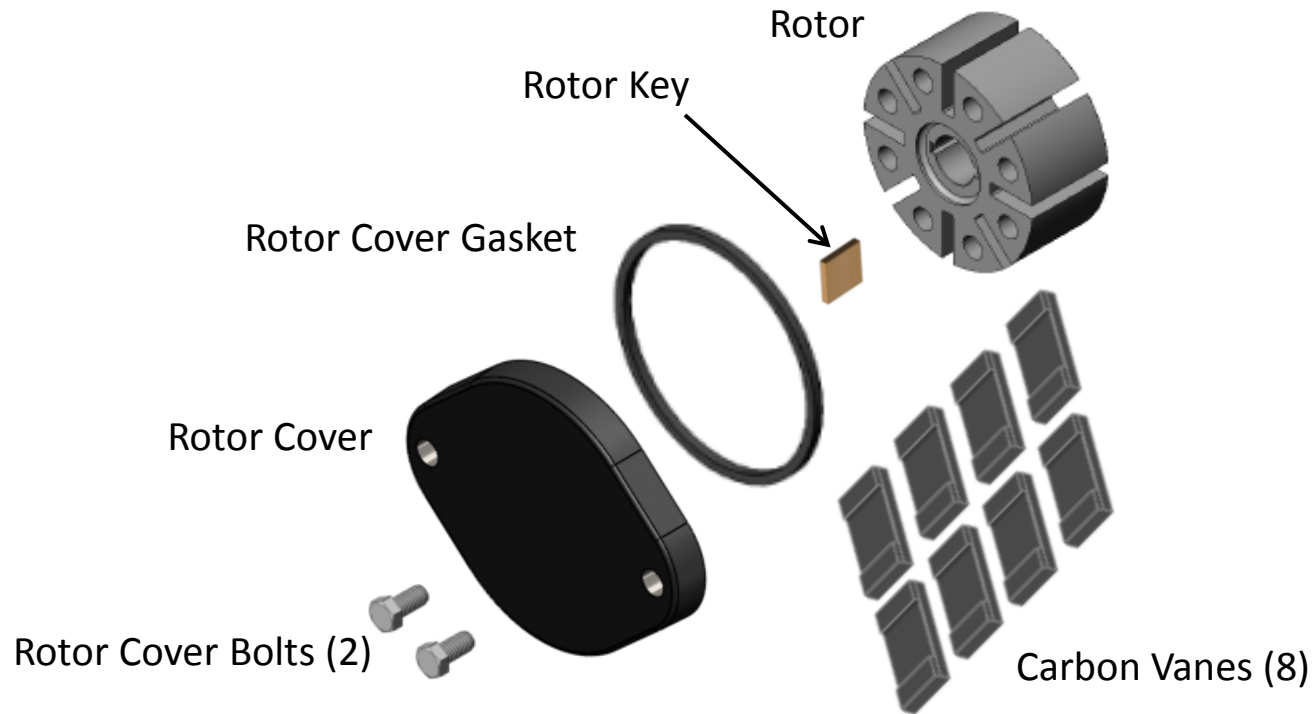
# KIT700OT1 – Straight 1" Outlet Flange Kit

- Used with FR700V and FR710V Series Pumps.



# KIT700RG – Rotor Group Kit

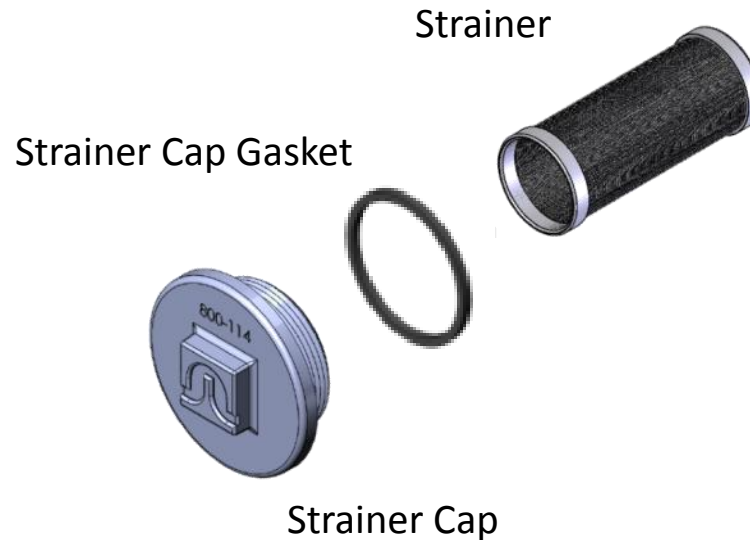
- For all FR700B and FR700V series Pumps.
- Always replace the rotor, rotor cover, and rotor cover bolt to ensure they are the same hardness.



# KIT700SG – Screen and Gasket Kit

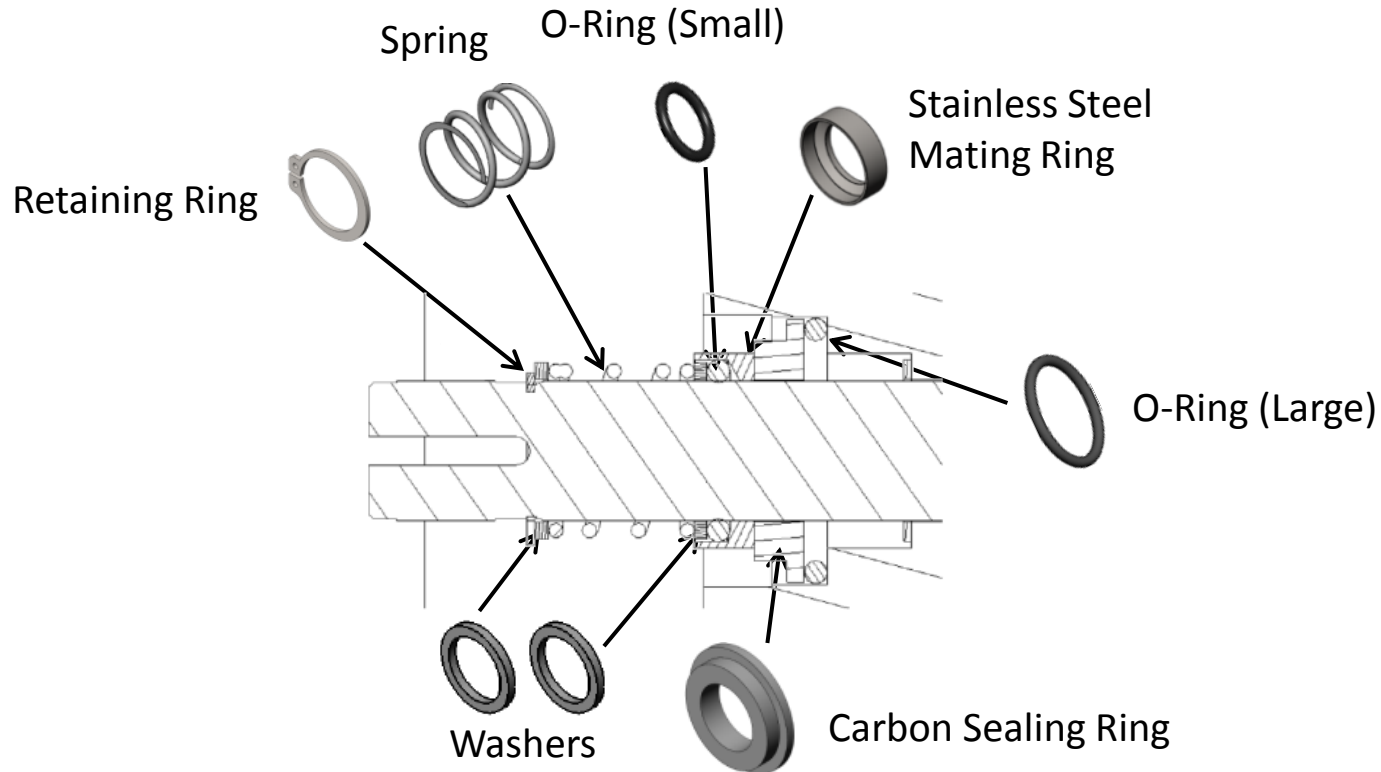
---

- For all FR700B and FR700V series Pumps.



# KIT700SL – Shaft Seal Kit

- Use in all FR300 and FR700 Series Pumps.



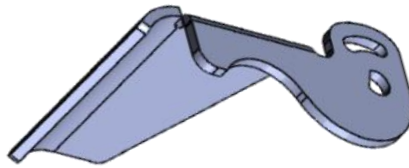


# KIT700SW – Switch Lever Kit

---

- For FR700 Series Pumps.

Switch Lever  
aka: On / Off Lever

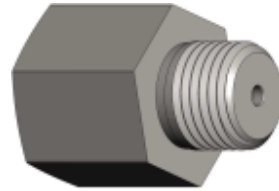


Lock Nut

# KIT700AVBP – Bulk Anti-Siphon Body Kit

---

- For FR700V and FR300V Series Pumps.



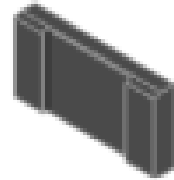
Anti-Siphon Body (10 )

# KIT700VP – Bulk Vane Kit

---

- For FR700 Series Pumps.

Carbon Vane (64)



Rotor Key (8)



# KIT700RKP – Bulk Rotor Key Kit

---

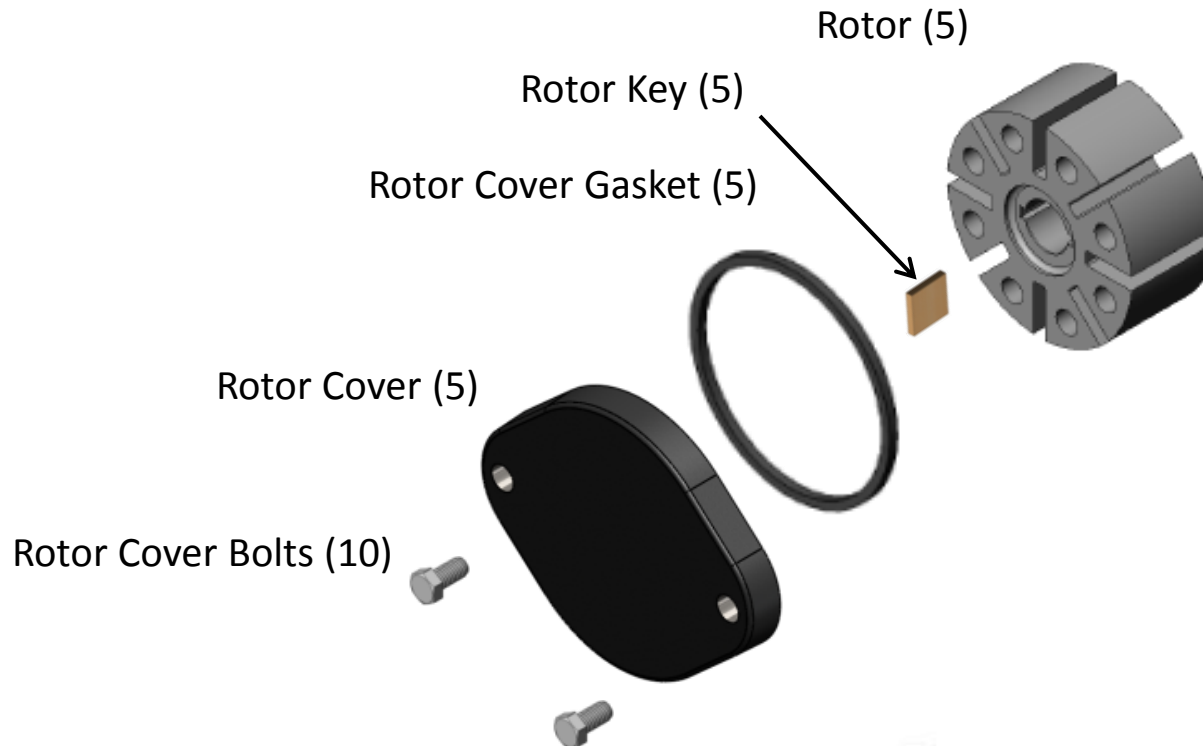
- For FR700 Series Pumps.



Rotor Key (15)

# KIT700RP – Bulk Rotor Kit

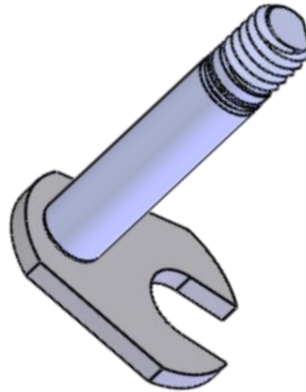
- For FR700 Series Pumps.
- Always replace the rotor, rotor cover, and rotor cover bolt to ensure they are the same hardness.



# KIT700SSP – Bulk Switch Shaft Kit

---

- Used in 1200, 2400, 4200, 4400, 600, SD1200, SD600, and 700 series pumps.

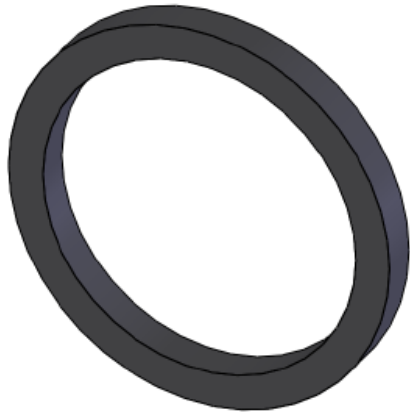


Switch Shaft (30)

# KIT700FGP – Bulk Discharge Gasket Kit

---

- This is the 700F2801 Fluorocarbon (Viton) gasket.
- On the 700B series pumps, this was the gasket at the discharge of the pump.
- On the 700V series pumps, this is the gasket between the 800 meter and the discharge flange.
- On 1200 and 2400 series pumps with meters, this is the gasket between the 800 meter and the discharge flange.



Gasket (100)

# KIT700CVP – Bulk Check Valve Kit

---

- For FR700 Series Pumps.



Check Valve Assembly with O-Ring (5)



# KIT700BPSP – Bulk Bypass Spring Kit

---

- For FR700 Series Pumps.

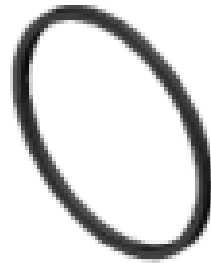


Bypass Spring (10)

# KIT300GBP – Bulk Rotor Cover Gasket Kit

---

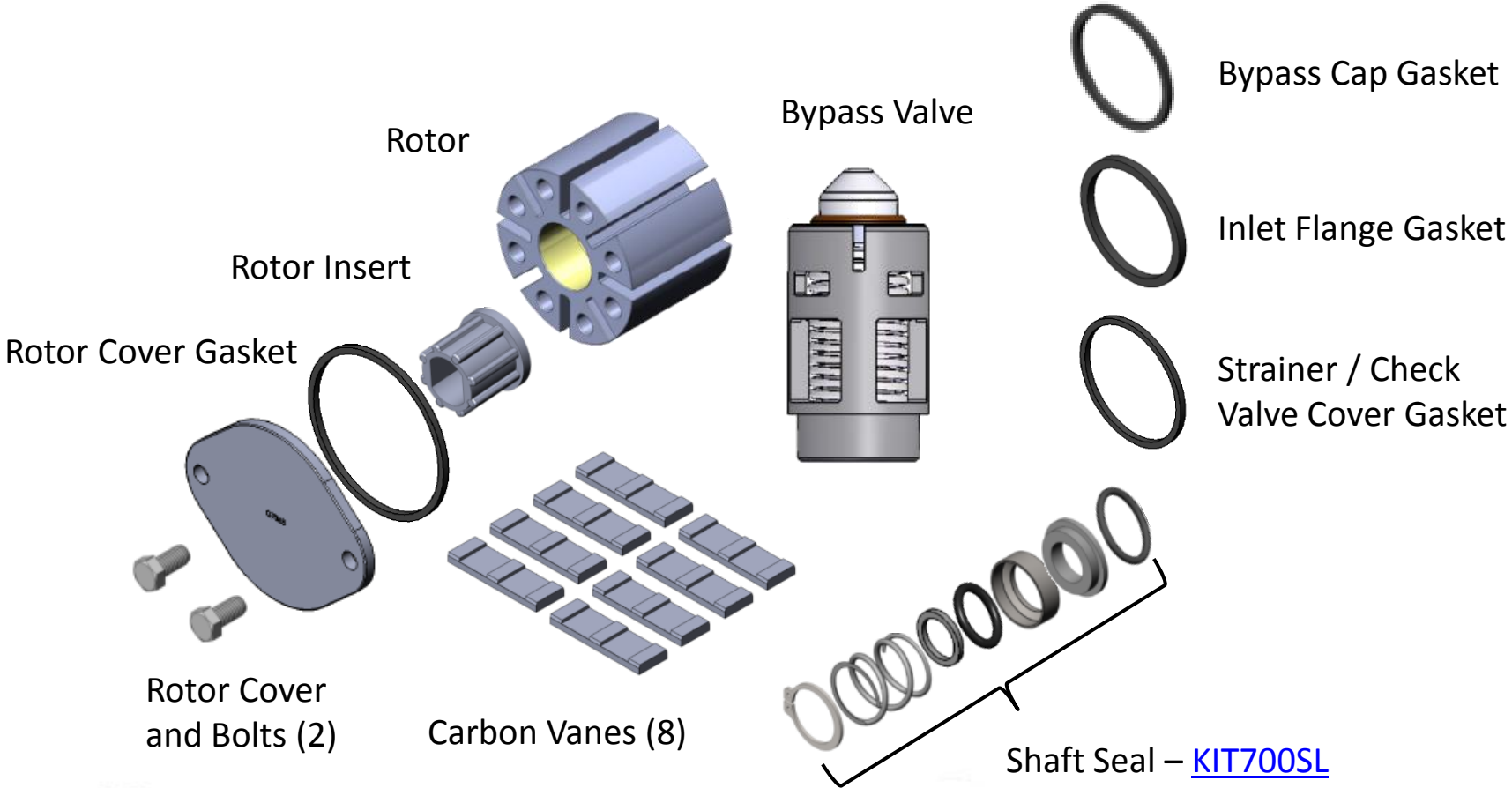
- For FR700 and FR300 Series Pumps.



Rotor Cover Gasket (15)

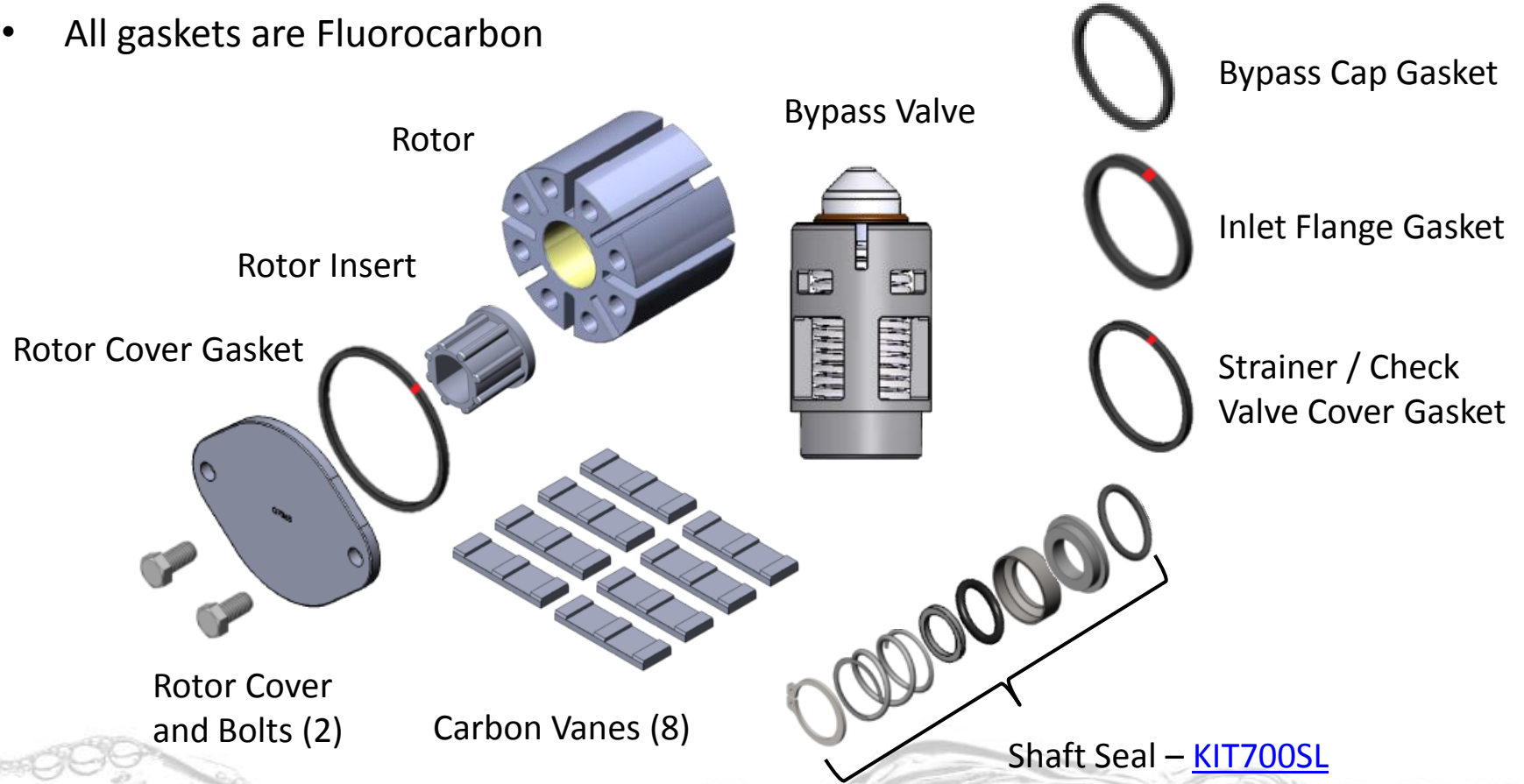
# 300KTF7794 – Rebuild Kit

- For FR300 Series Pumps.



# BD300KTH0712 – Bio-Diesel Rebuild Kit

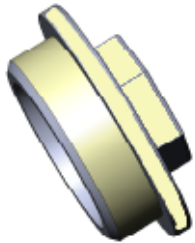
- For BD310V pump, or an FR300 series pump that has been converted using the KIT300BD Kit.
- All gaskets are Fluorocarbon



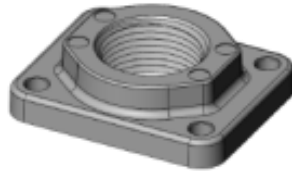
# KIT300BD – Bio-Diesel / E85 Conversion Kit

- For FR300 Series Pumps.

Bypass Cap



1" Nickel Plated Meter Flange



Strainer / Check Valve Cover



Meter Flange for FR300 Pumps



Rotor Cover Gasket



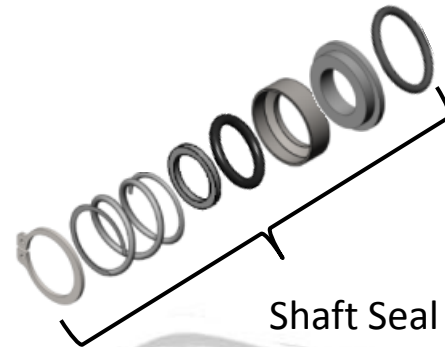
Bypass Cap Gasket



Inlet / Meter Flange Gaskets (3)



Check Valve / Strainer Cover Gasket

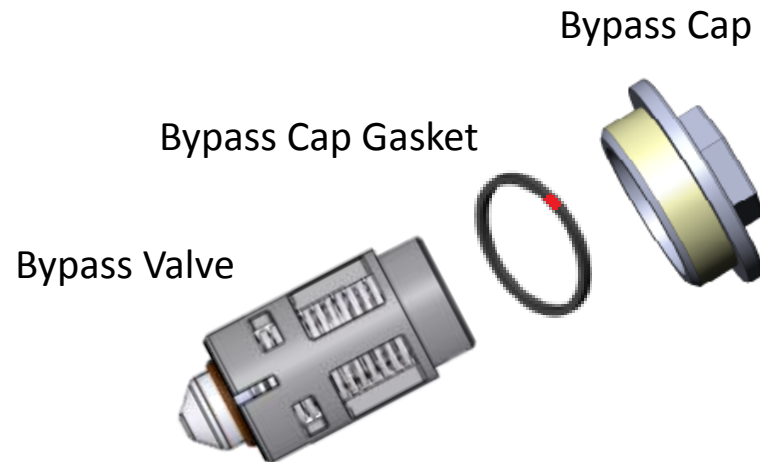


Shaft Seal – [KIT700SL](#)

# KIT300BV – Bypass Valve Kit

---

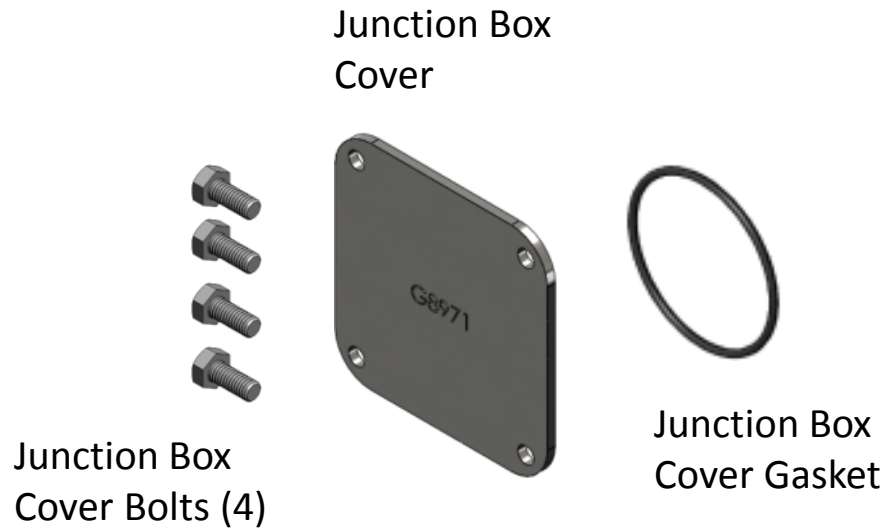
- For FR300 Series Pumps.



# KIT300JC – Junction Box Cover Kit

---

- For FR300 Series Pumps.

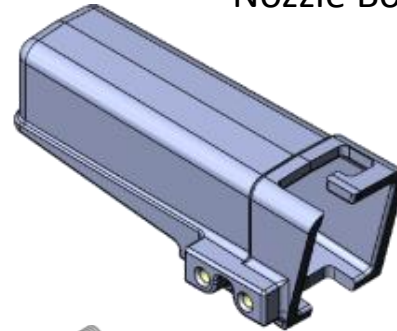


# KIT300NB – Nozzle Boot Kit

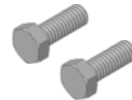
---

- August 11, 2014 – This kit is no longer available for purchase.
- Use [KIT120NB](#).
- ~~For FR300 Series Pumps.~~

Nozzle Boot



Nozzle Boot  
Bolts (2)



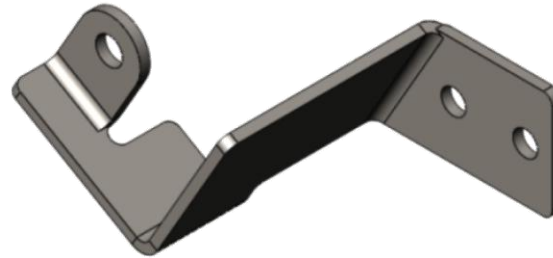


# KIT300NR – Nozzle Retainer Kit

---

- For FR300 Series Pumps.

Nozzle Retainer



Bolt (1)

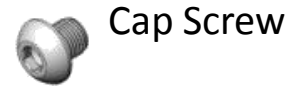
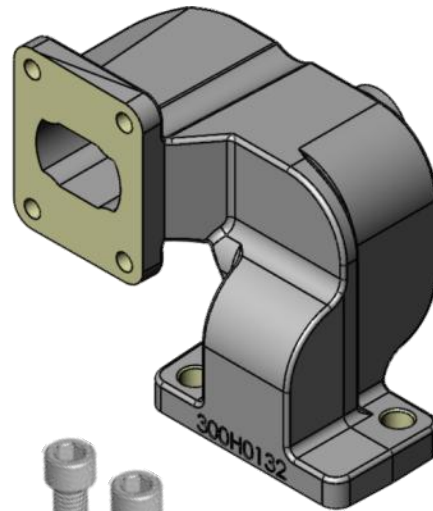


Lock Nuts (2)

# KIT300MA – Meter Discharge Flange Kit

- For FR300 Series Pumps.

Meter Discharge Flange



Cap Screw



Cap Screw O-Ring



Discharge Flange O-Ring



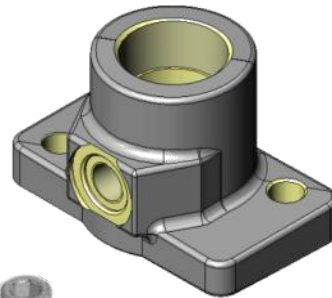
Discharge Flange Bolts (2)



# KIT300OT – Straight Discharge Flange Kit

- For FR300 Series Pumps.

Discharge Flange



Cap Screw



Cap Screw O-Ring



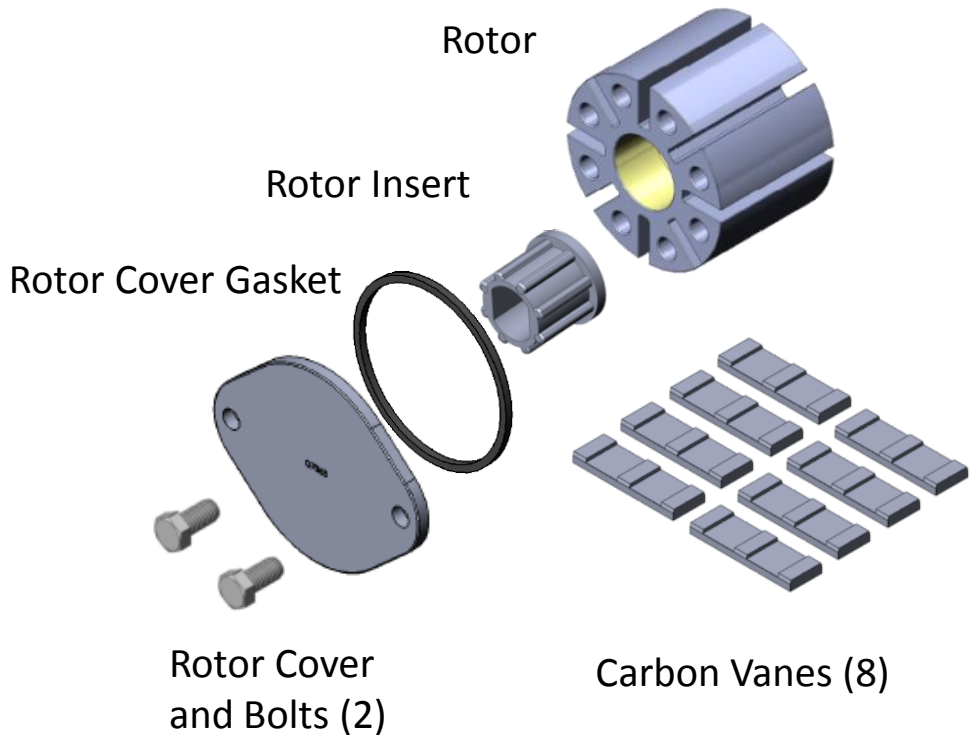
Discharge Flange Bolts (2)



Discharge Flange O-Ring

# KIT300RG – Rotor Group Kit

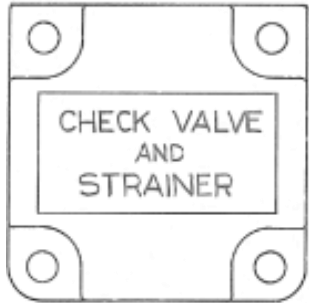
- For FR300 Series Pumps.



# KIT300SG – Check Valve / Strainer Kit

- For FR300 Series Pumps.

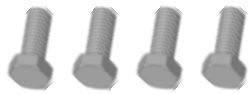
Check Valve / Strainer Cover



Check Valve / Strainer Assembly



Cover Gasket

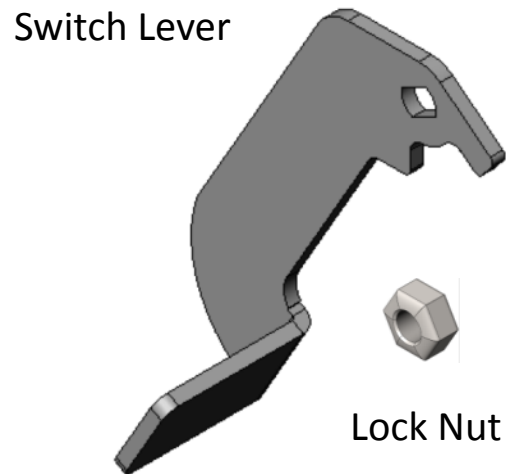


Cover Bolts (4)

# KIT300SW – Switch Lever Kit

---

- For FR300 Series Pumps.



# KIT300FA – Filter Assembly Kit

- For FR300, FR4200, and FR3200 Series Pumps.



1" Filter Head



30 Micron Particulate Filter



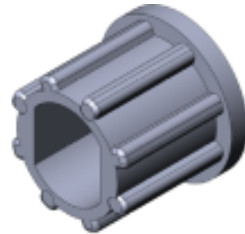
1" Multi-Plane Swivel

# KIT300IP – Bulk Rotor Insert Kit

---

- For FR300 Series Pumps.

Rotor Insert (10)



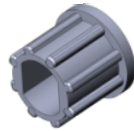


# KIT300VP – Bulk Vane Kit

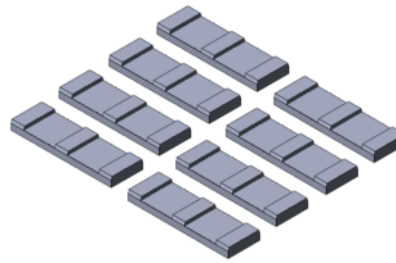
---

- For FR300 Series Pumps.

Rotor Insert (8)



Carbon Vanes (64)

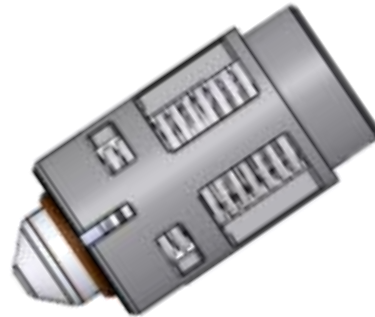


# KIT300BVP – Bulk Bypass Valve Kit

---

- For FR300 Series Pumps.

Bypass Valve (5)



# KIT300CVP – Bulk Check Valve / Strainer Kit

---

- For FR300 Series Pumps.

Check Valve / Strainer (5)

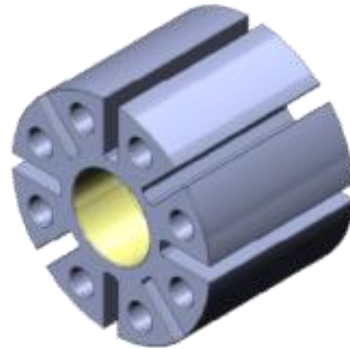


# KIT300RIP – Bulk Rotor / Insert Kit

---

- For FR300 Series Pumps.

Rotor (5)

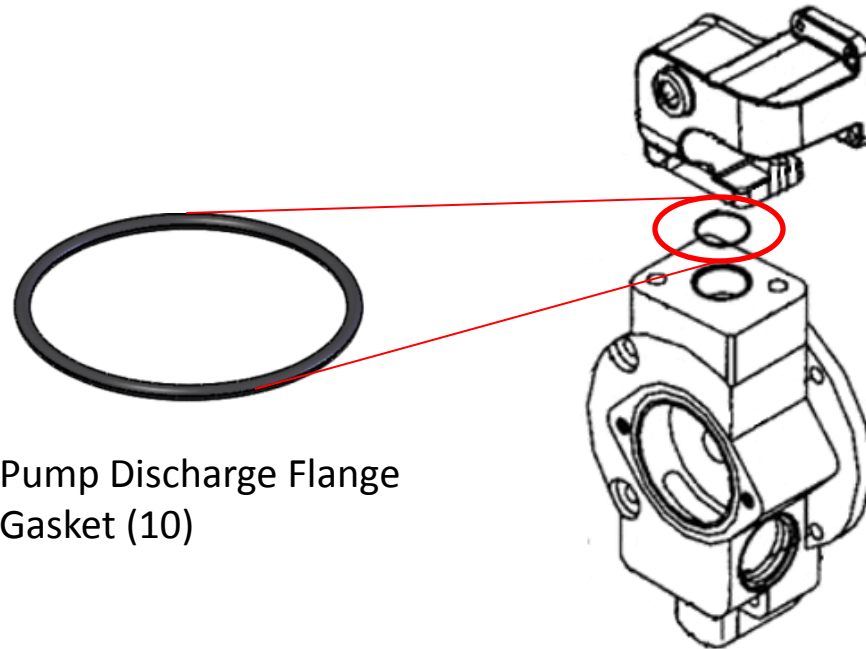


Rotor Insert (5)



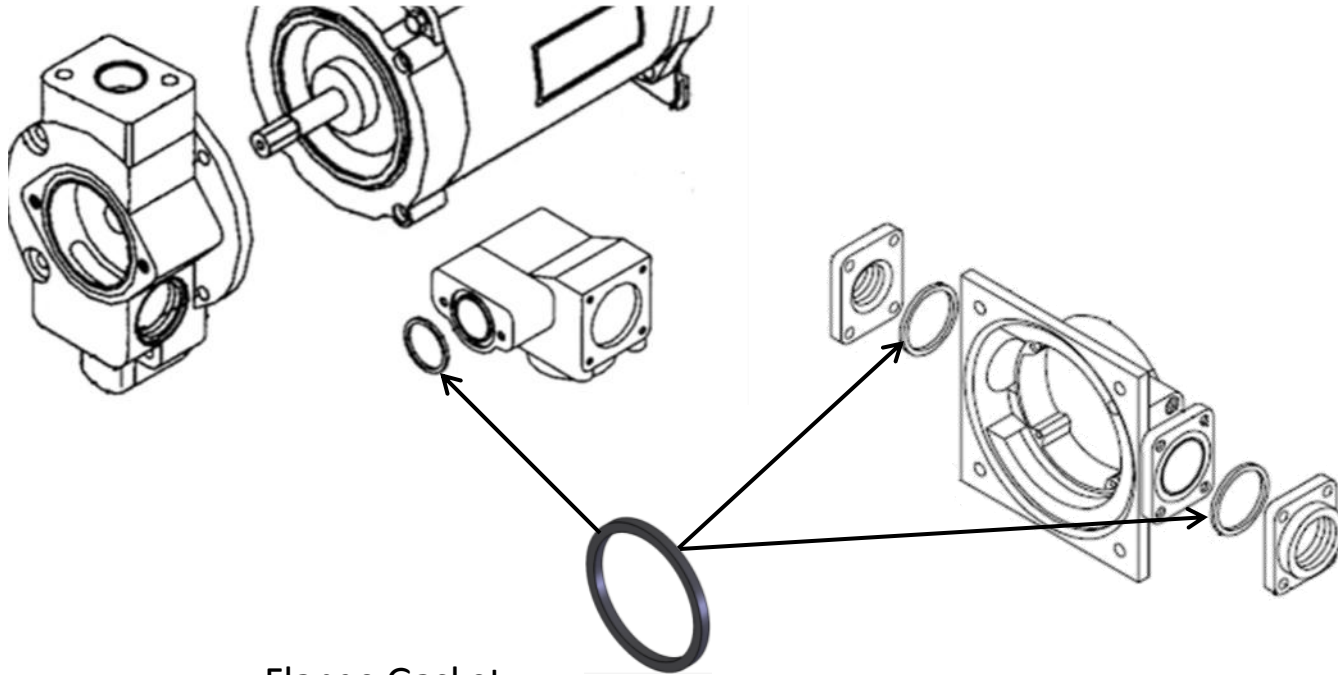
# KIT300FGP – Pump Discharge Flange Gasket Kit

- For FR700 and FR300 Series Pumps.



# KIT300GSK – Gasket Kit

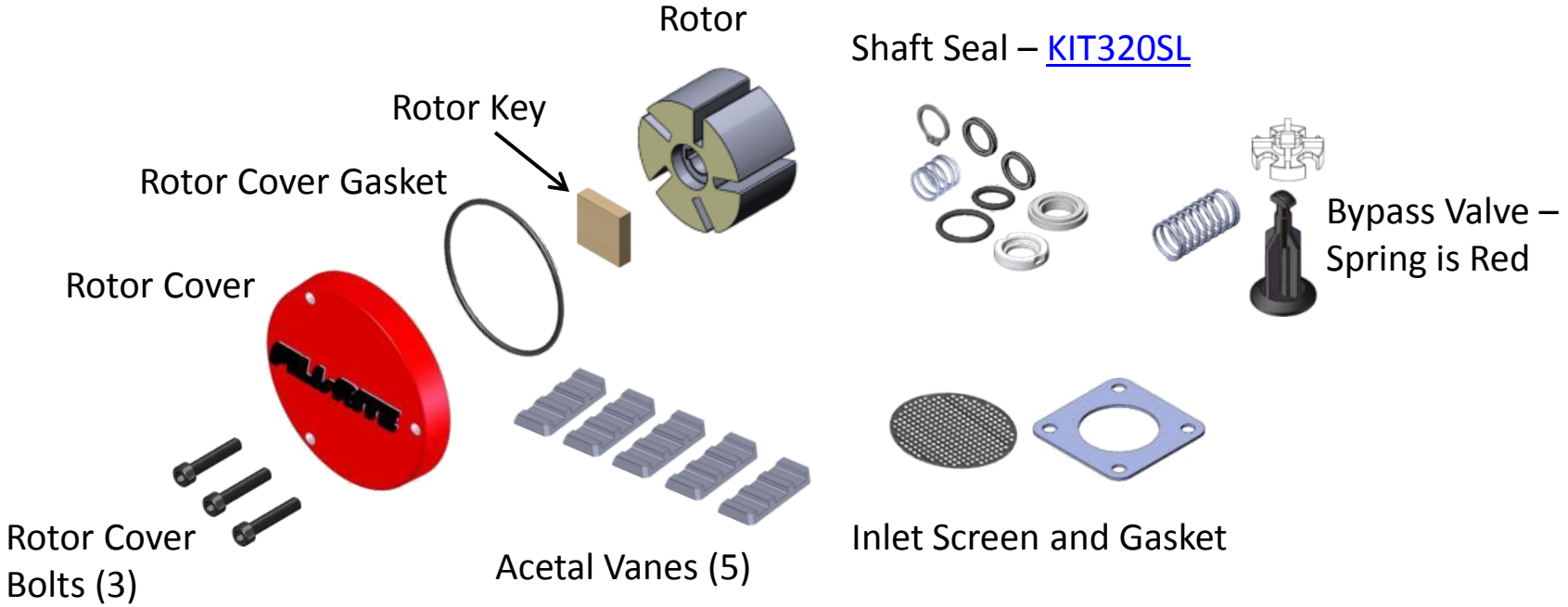
- For FR300, FR300V, 700B, and 700V Series Pumps.
- For 900 and 900D Series Meters.



Flange Gasket -  
Fluorocarbon (10)

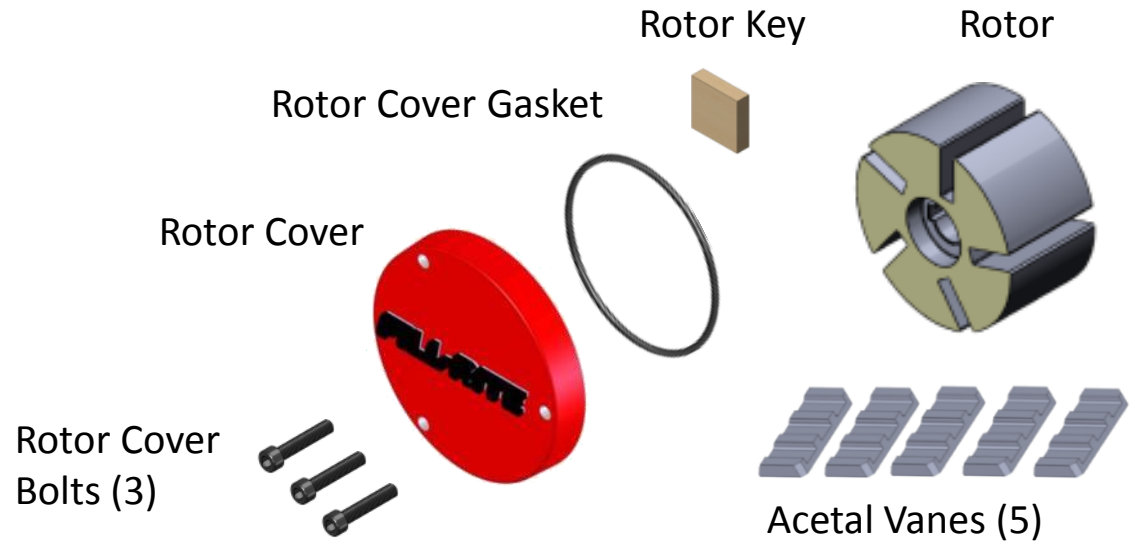
# KIT320RK – Rebuild Kit

- For FR3200 Series Pumps.



# KIT320RG – Rotor Group Kit

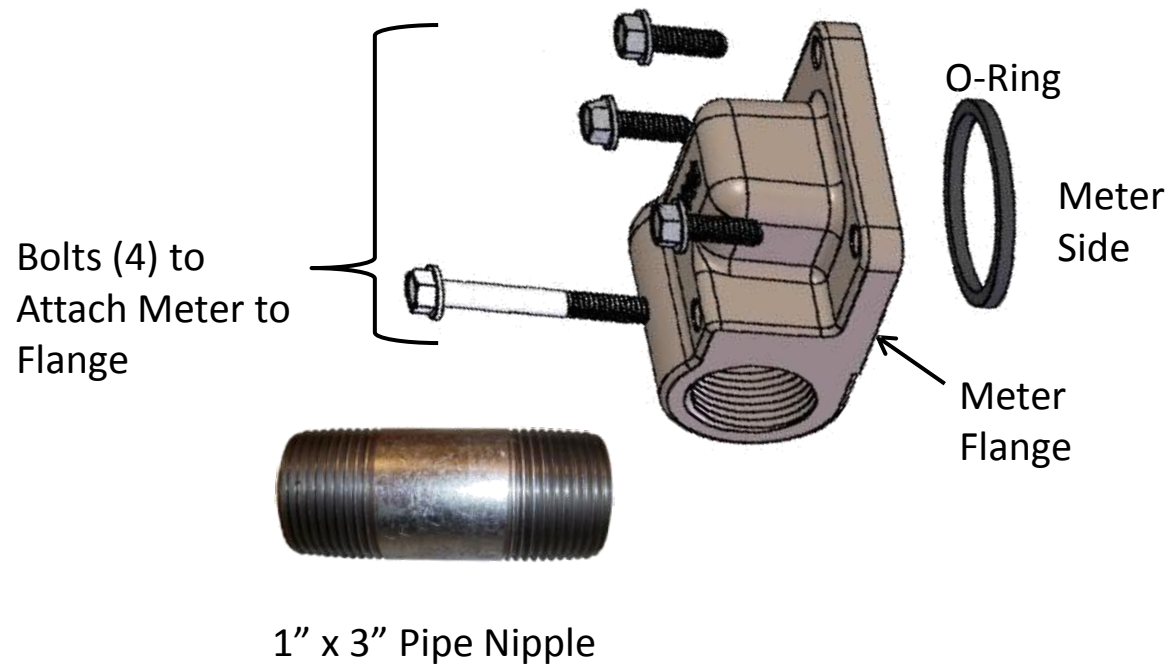
- For FR3200 Series Pumps.





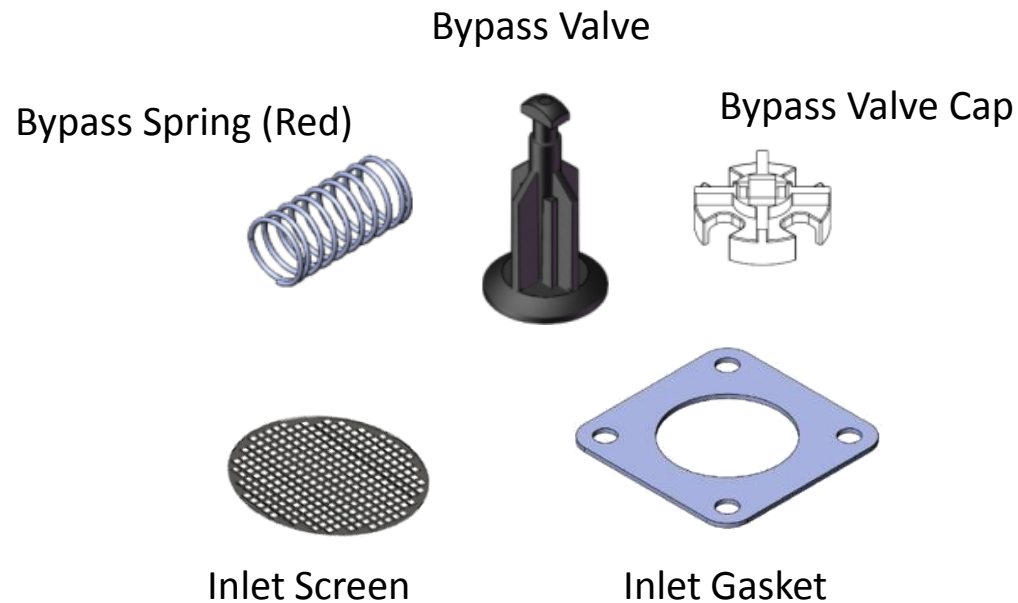
# KIT320MA – Meter Flange Kit

- For FR3200 Series Pumps.
- Use to attach 900 or 900D series meters to pump.
- Flange is Nickel Plated.



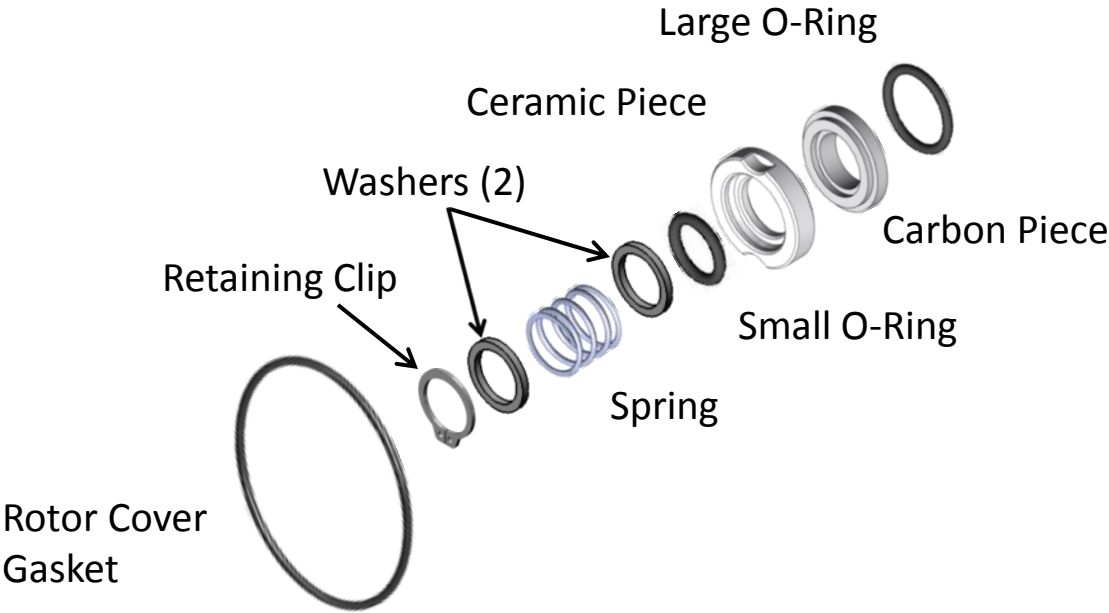
# KIT320BV – Bypass Valve Kit

- For FR3200 Series Pumps.



# KIT320SL – Shaft Seal Kit

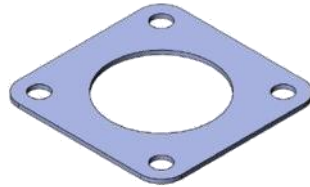
- For FR3200 Series Pumps.



# KIT320SK – External Seals Kit

- For FR3200 Series Pumps.

Inlet Gasket



Switch Cover Gasket



Rotor Cover Gasket

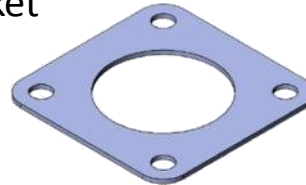
Junction Box Cover Gasket

# KIT320BG – Inlet Flange Kit

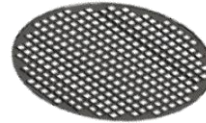
---

- For FR3200 Series Pumps.

Inlet Gasket



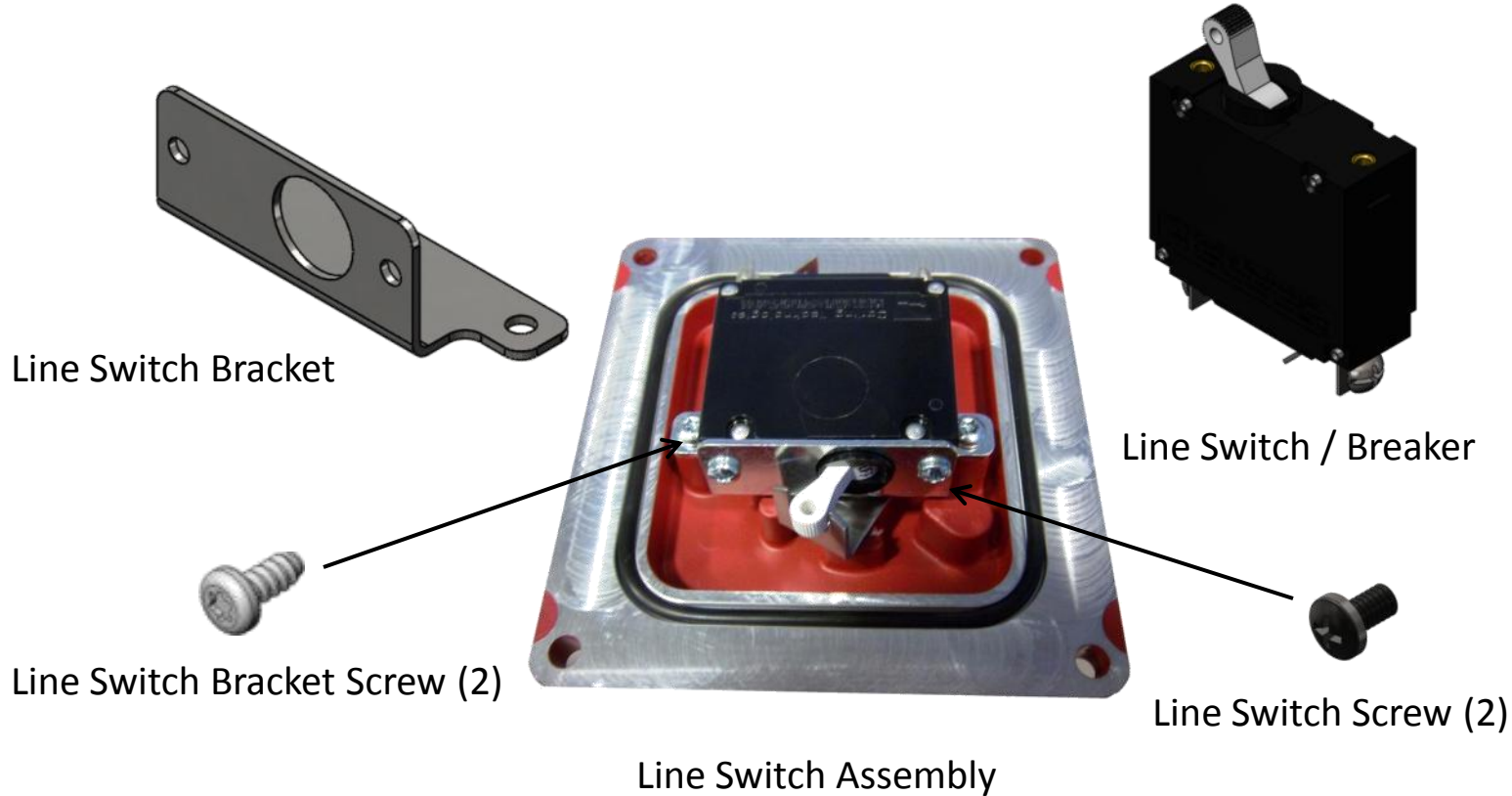
Inlet Screen



Inlet Flange Bolts (4) and Inlet Flange

# KIT320SW – Line Switch / Breaker Kit

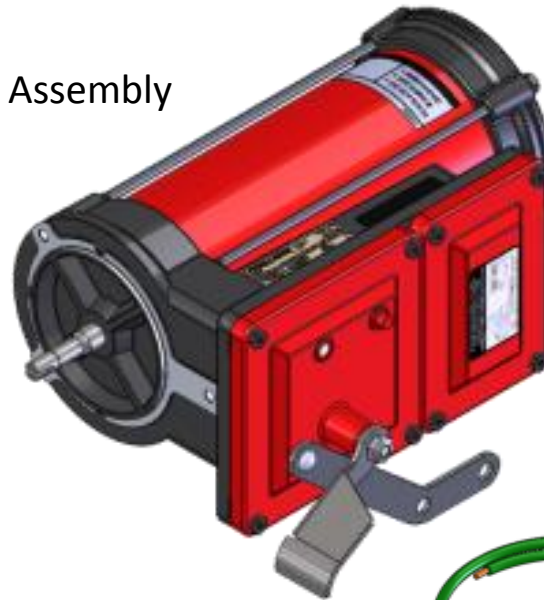
- For FR3200 Series Pumps.



# KIT320MK – Replacement Motor Kit

- For FR3200 Series Pumps.

Motor Assembly



Cable Connector



Wire Nut (2)



Ground Wire

# 30KTF4919 – Rebuild Kit

- For FR30 Series Pumps.

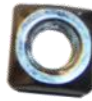




# KIT100WGP – Bulk Wood Handle Kit

---

- For FR30 and FR100 Series Pumps.



Handle Nut (15)



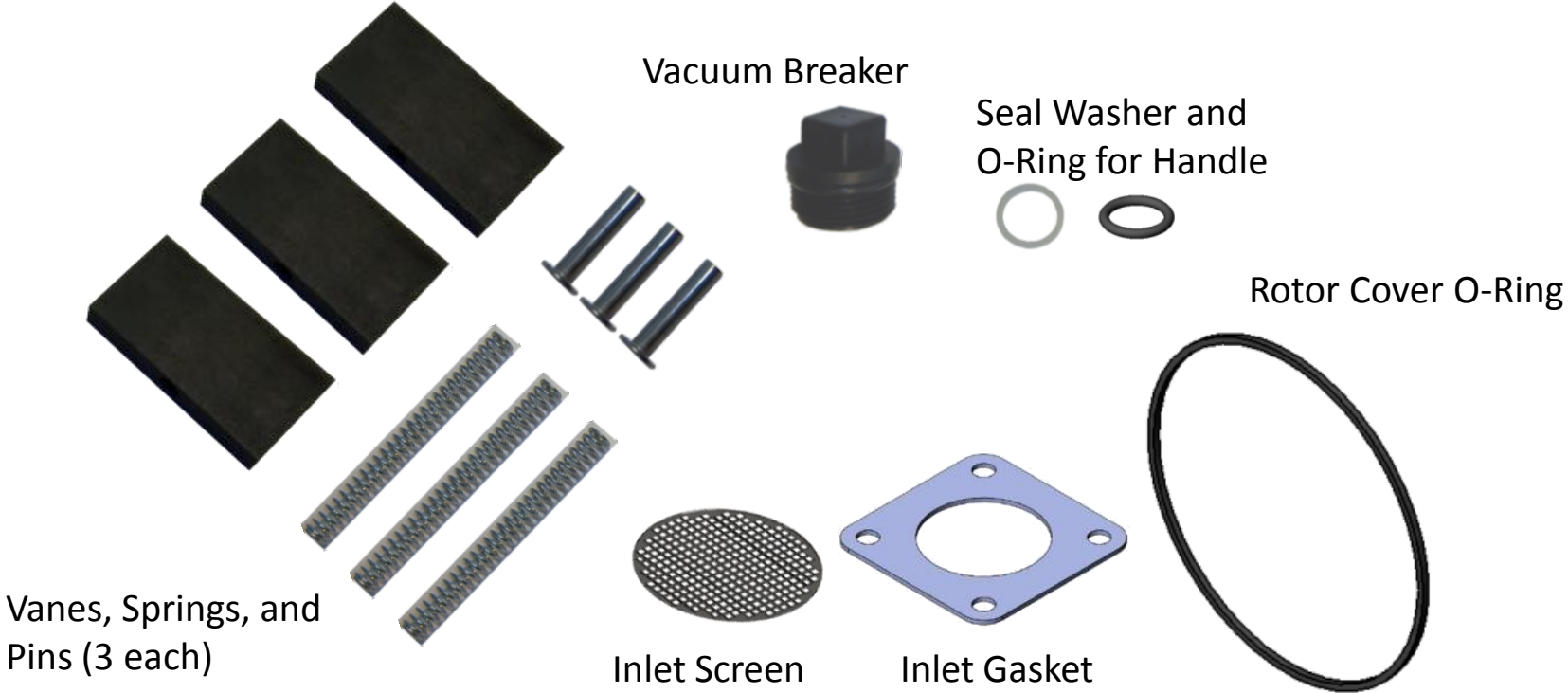
Handle Bolt (15)



Wood Handle (15)

# 100KTF1214 – Rebuild Kit

- For FR100 Series Pumps.



# KIT100WHP – Bulk Shaft Seal Kit

---

- For FR100 Series Pumps.



O-Ring and Washer  
(5 each)

# KIT152VBP – Bulk Vacuum Breaker Kit

---

- For FR100 and FR5200 Series Pumps.

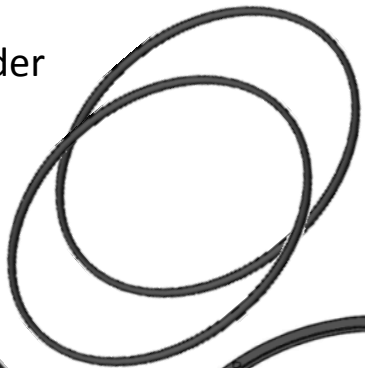


Vacuum Breaker(5)

# 5200KTF1828 – Rebuild Kit

- For FR5200 Series Pumps.

O-Rings for Under Piston Rings (2)



Piston Valves (4)



Vacuum Breaker



Bearing Nut for Packing Gland



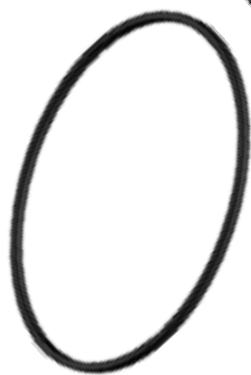
Inlet Screen



Packing Gland



Cover Gasket



Piston Rings (2)



# 5200F1593 – Old Style Bung Kit

---

- For FR5200 Series Pumps.



Bung Adapter



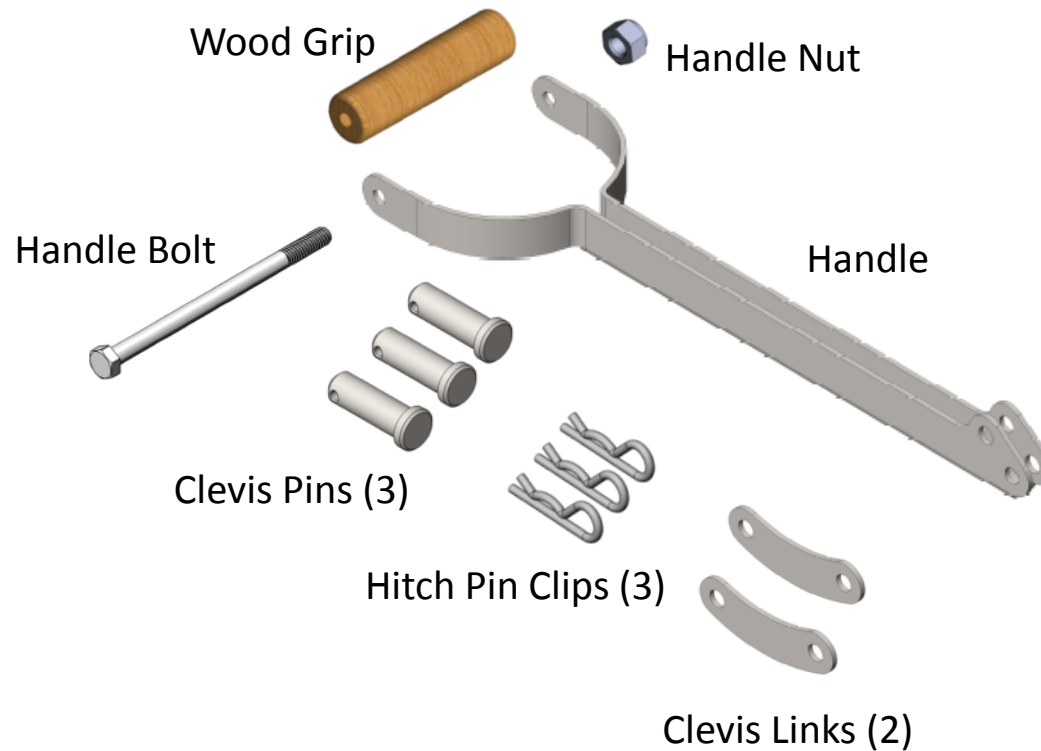
Water Deflector



Set Bolts (2)

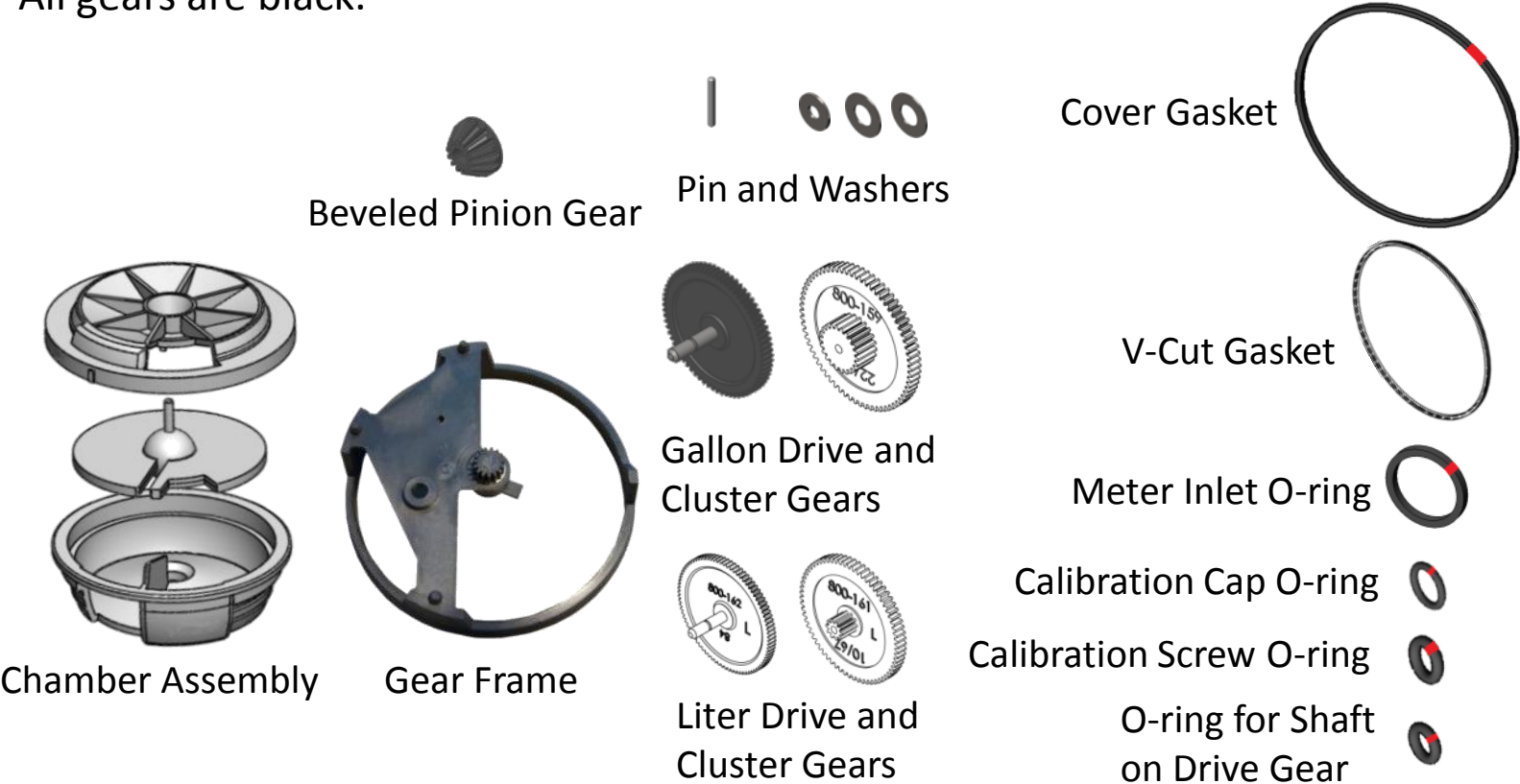
# KIT152HA – Handle Kit

- For FR5200 Series Pumps.



# 800KT – Rebuild Kit

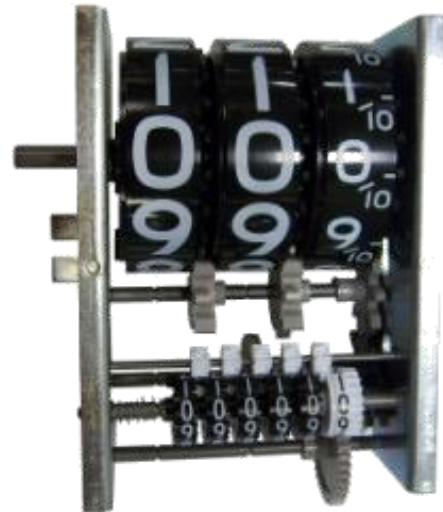
- For 800 Series mechanical meters.
- All gears are black.



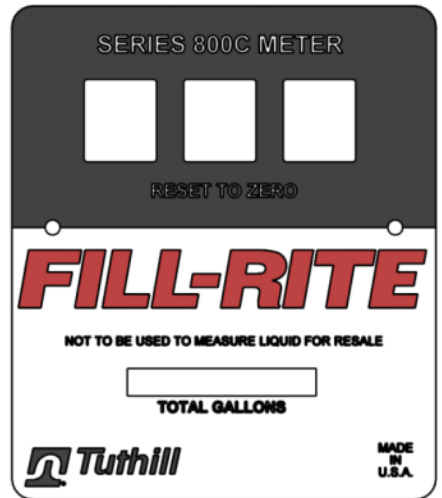


# KIT800GR – Gallon Register / Faceplate Kit

- For 800 Series mechanical meters.



Gallon Register and Screws



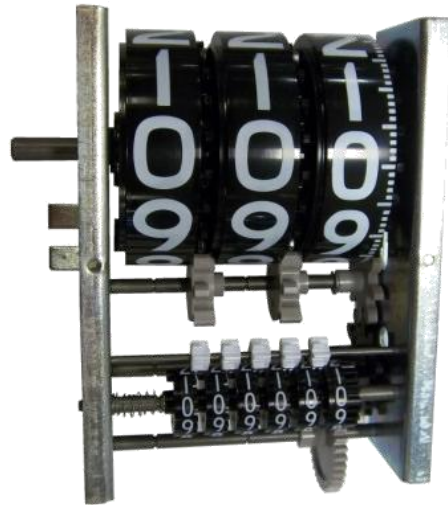
Gallon Faceplate and Screws



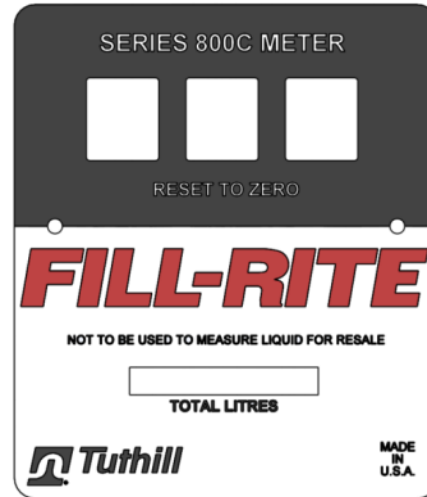
Pinion Bevel Gear

# KIT800LR – Liter Register / Faceplate Kit

- For 800 Series mechanical meters.



Liter Register and Screws



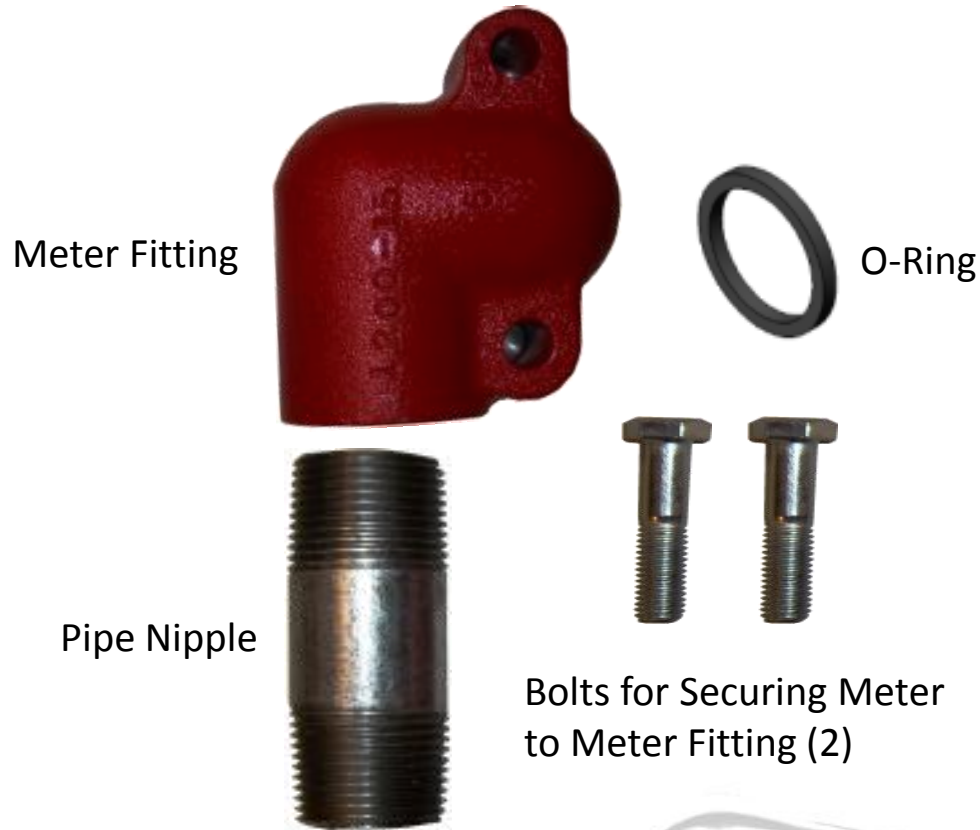
Liter Faceplate and Screws



Pinion Bevel Gear

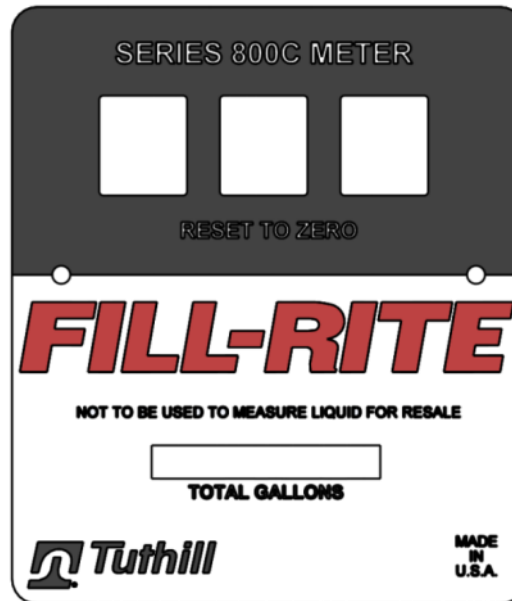
# KIT800MK – Mounting Kit for Small Pumps

- This kit is used to mount an 800 series meter to the 1200, 2400, and 600 series pumps.



# KIT800FPP – Bulk Gallon Faceplate Kit

- For 800 Series mechanical meters.

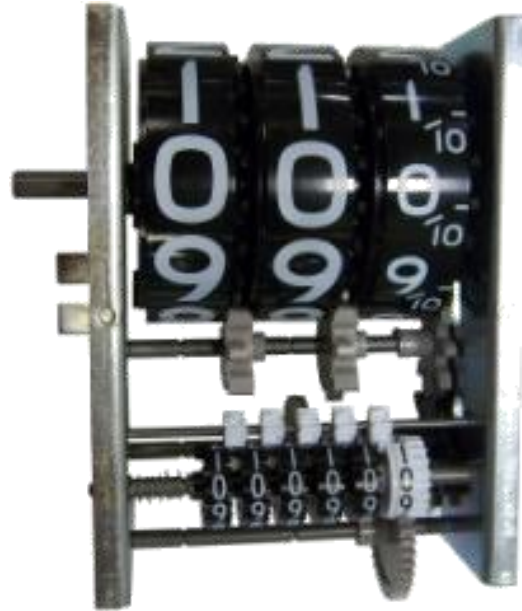


Gallon Faceplate (5)

# KIT800REP – Bulk Gallon Register Kit

---

- For 800 Series mechanical meters.

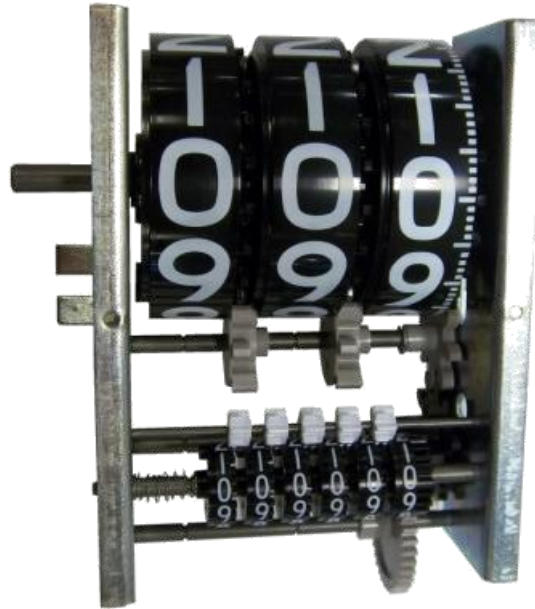


Gallon Register (5)

# KIT800LREP – Bulk Liter Register Kit

---

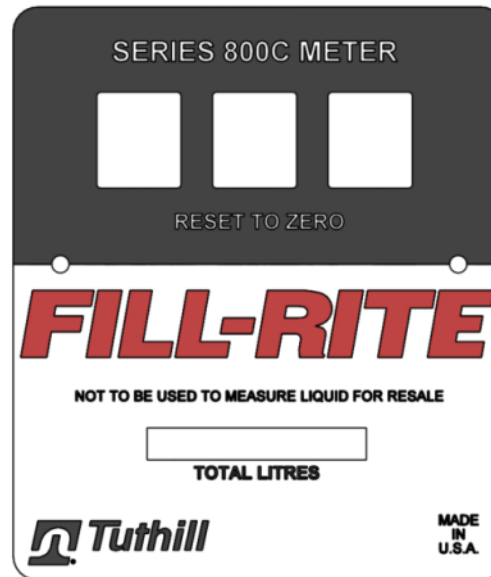
- For 800 Series mechanical meters.



Liter Register (5)

# KIT800LFPP – Bulk Liter Faceplate Kit

- For 800 Series mechanical meters.



Liter Faceplate (5)

# KIT800CGP – Bulk Cover Gasket Kit

---

- For 800 Series mechanical meters.
- Material is Buna-N.

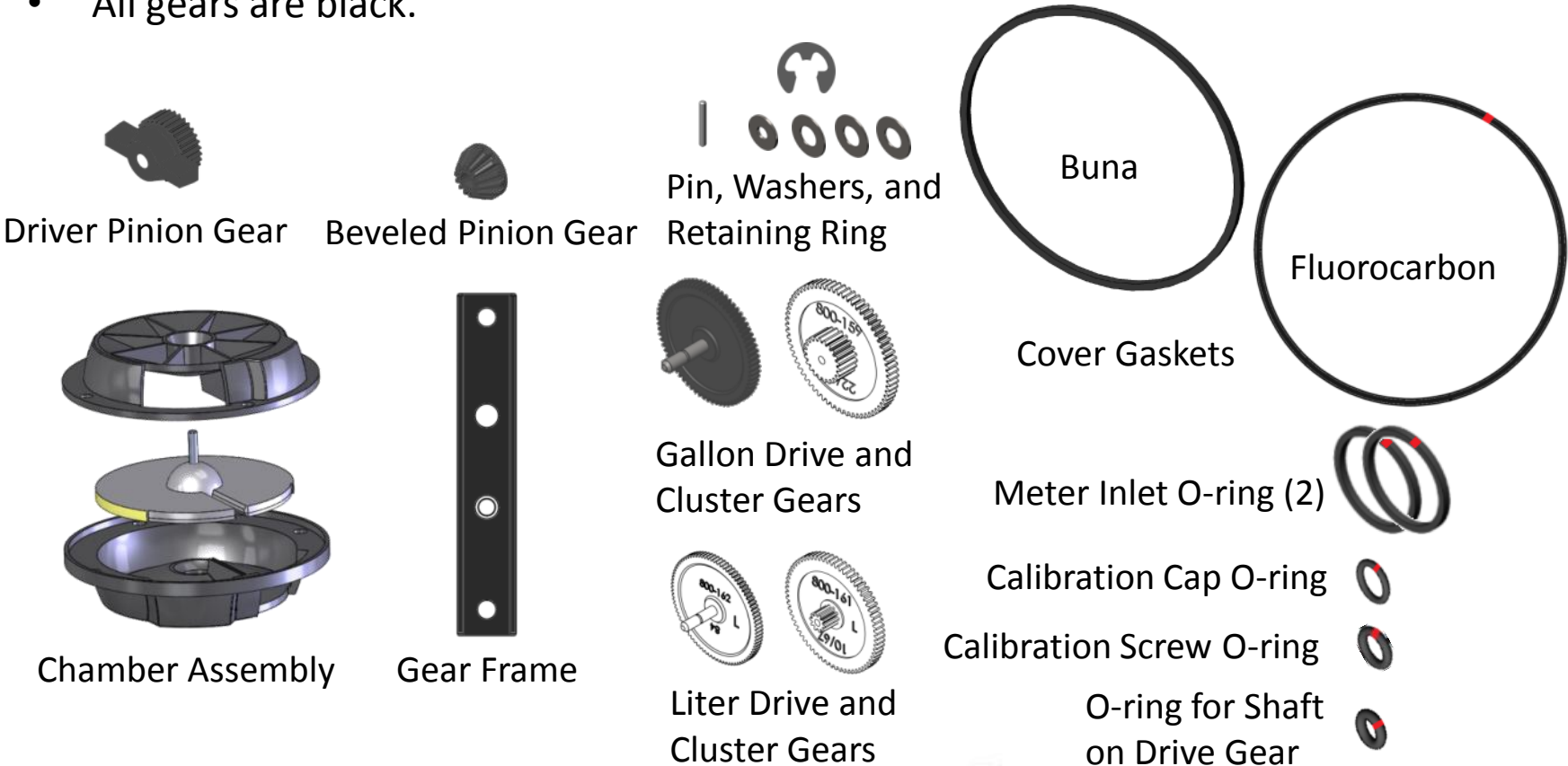


Cover Gasket (15)



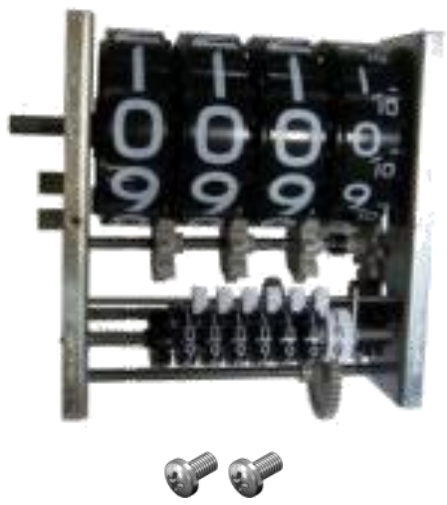
# 900KT – Rebuild Kit

- For 900 Series mechanical meters.
- All gears are black.



# KIT900GR – Gallon Register / Faceplate Kit

- For 900 Series mechanical meters.



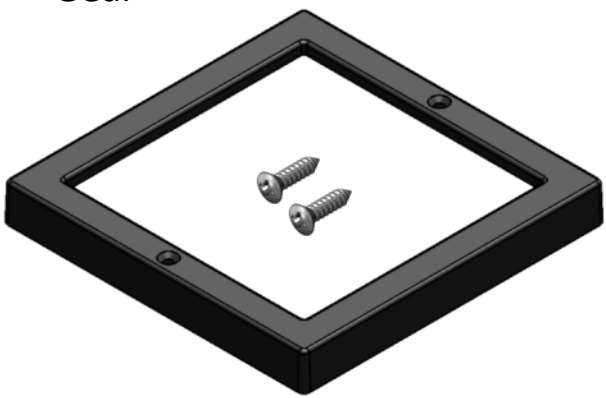
Gallon Register and Screws



Gallon Faceplate and Screws



Pinion Bevel Gear



Bezel and Screws

# KIT900LR – Liter Register / Faceplate Kit

- For 900 Series mechanical meters.



Liter Register and Screws



Liter Faceplate and Screws



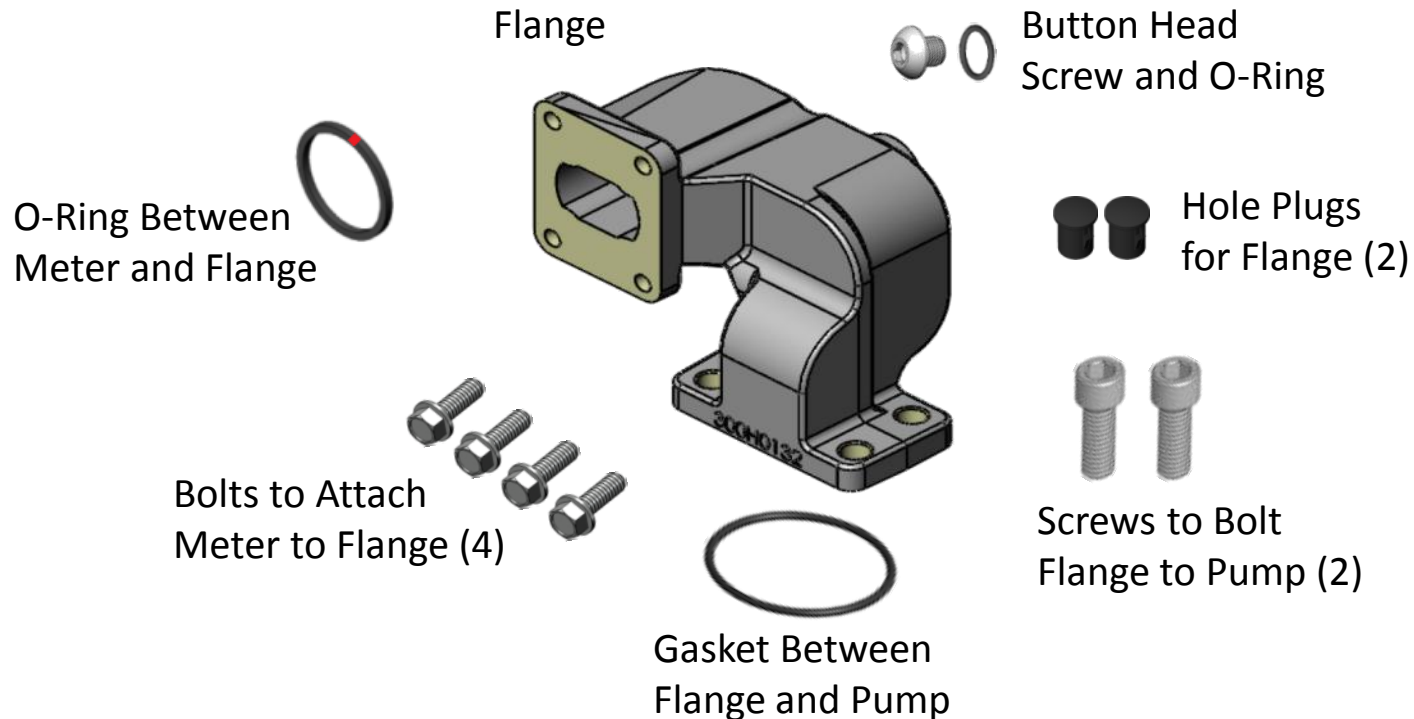
Pinion Bevel Gear



Bezel and Screws

# KIT900PF – Meter / Pump Flange Kit

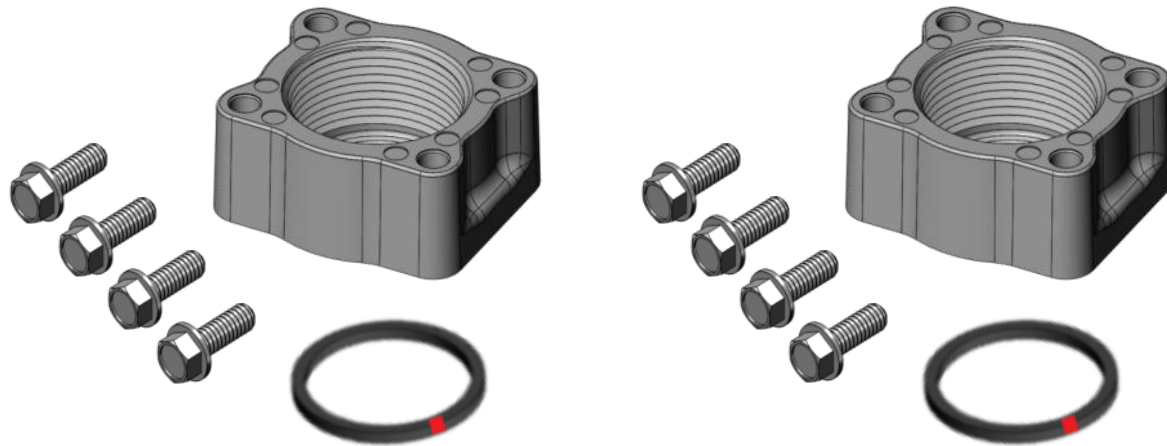
- For 900 Series mechanical and digital meters.
- Used to mount a 900 Series meter to a V series 700 or 300 large pump.



# KIT900PF1.5N – Nickel 1½” NPT Meter Flange Kit

---

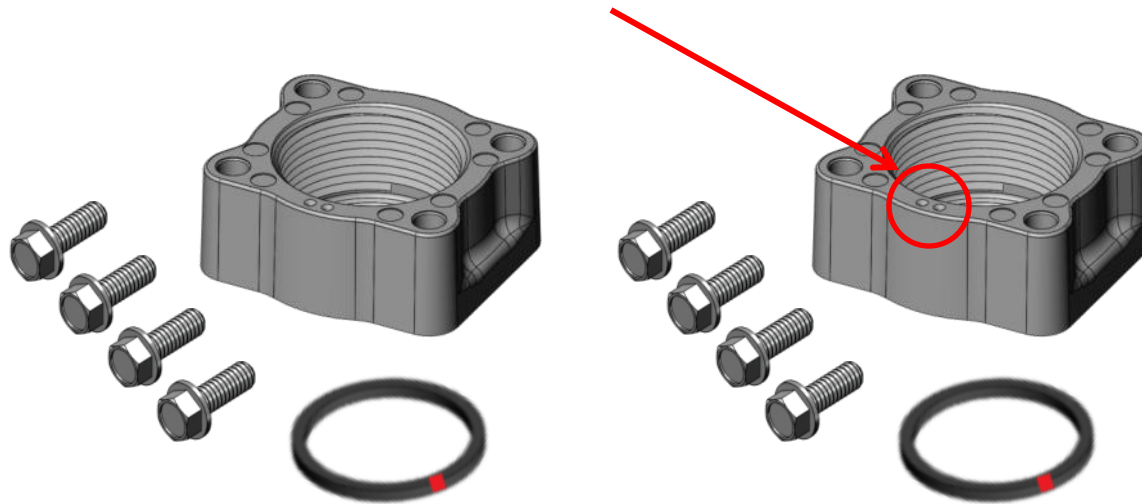
- For 900 Series mechanical and digital meters.
- The nickel plated flanges will have a yellowish color.



Nickel Plated 1½” NPT Meter Flanges (2),  
Gaskets (2), and Screws (8)

# KIT900PF1.5B – Nickel 1½” BSP Meter Flange Kit

- For 900 Series mechanical and digital meters.
- The nickel plated flanges will have a yellowish color.
- These two divots indicate the threads are BSP.

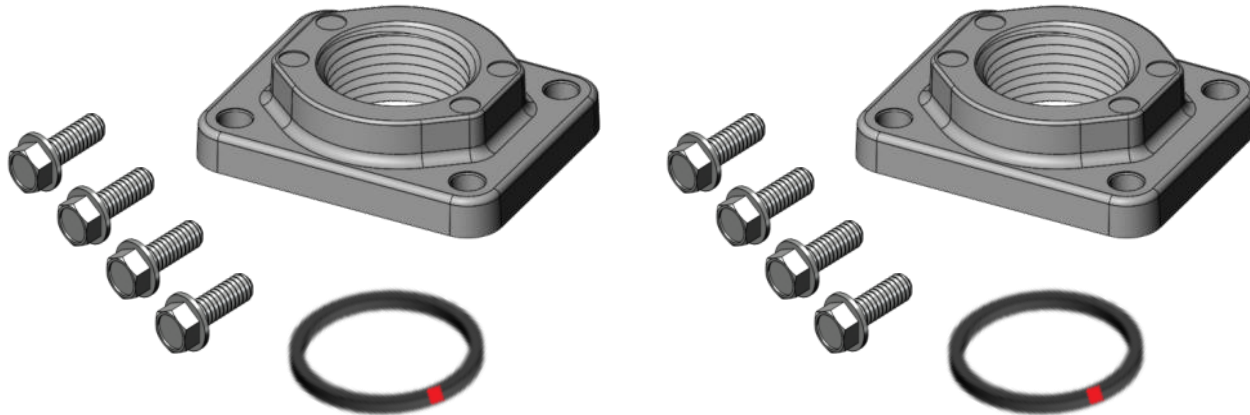


Nickel Plated 1½” BSP Meter Flanges (2),  
Gaskets (2), and Screws (8)

# KIT900PF1N – Nickel 1" NPT Meter Flange Kit

---

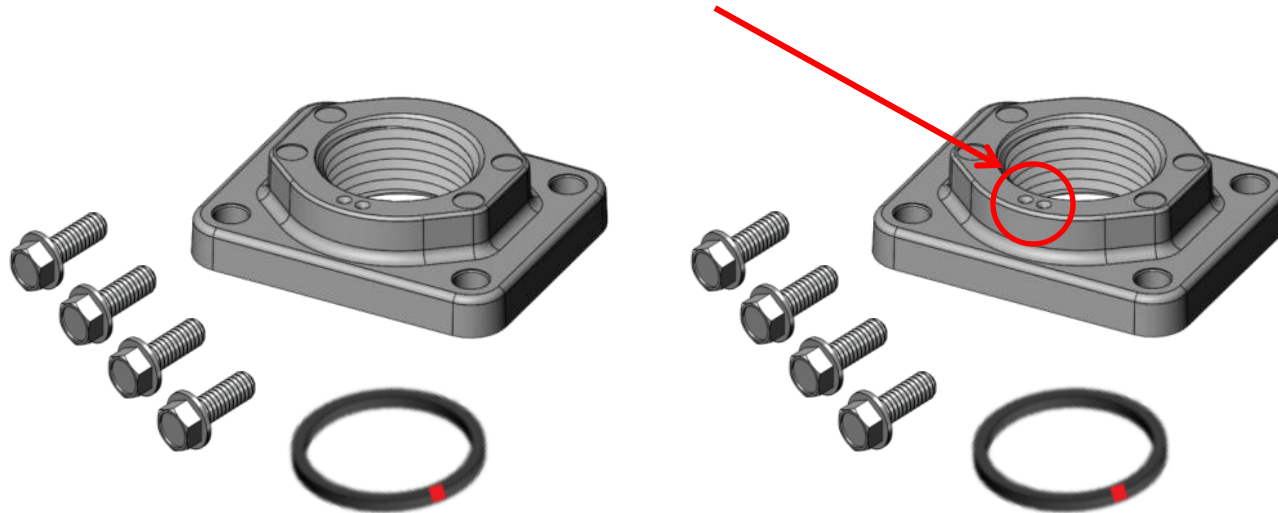
- For 900 Series mechanical and digital meters.
- The nickel plated flanges will have a yellowish color.



Nickel Plated 1" NPT Meter Flanges (2),  
Gaskets (2), and Screws (8)

# KIT900PF1B – Nickel 1" BSP Meter Flange Kit

- For 900 Series mechanical and digital meters.
- The nickel plated flanges will have a yellowish color.
- These two divots indicate the threads are BSP.

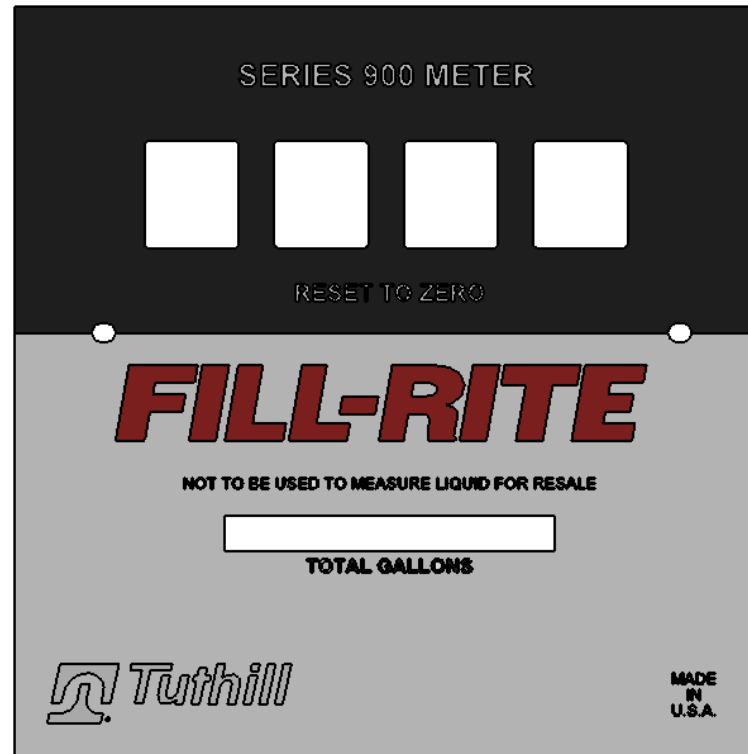


Nickel Plated 1" BSPT Meter Flanges (2),  
Gaskets (2), and Screws (8)



# KIT900FPP – Bulk Gallon Faceplate Kit

- For 900 Series mechanical meters.

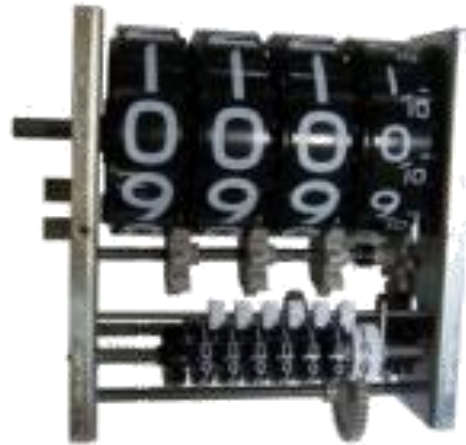


Gallon Faceplate (5)

# KIT900REP – Bulk Gallon Register Kit

---

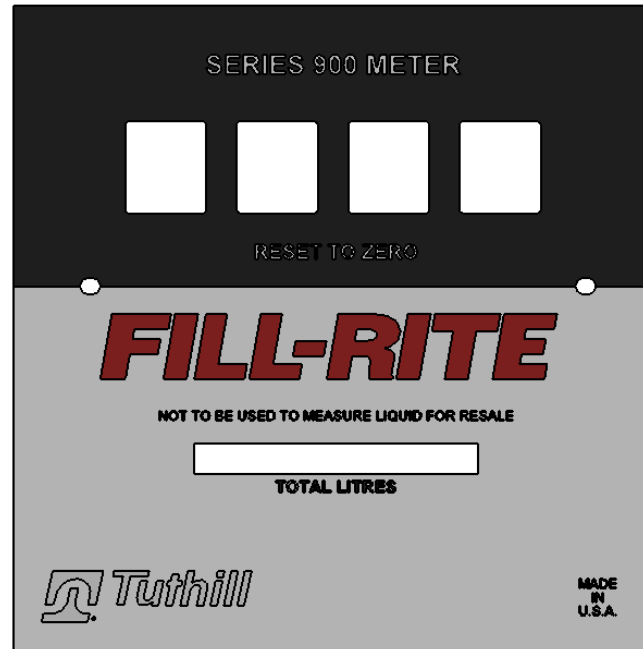
- For 900 Series mechanical meters.



Gallon Register (5)

# KIT900LFPP – Bulk Liter Faceplate Kit

- For 900 Series mechanical meters.

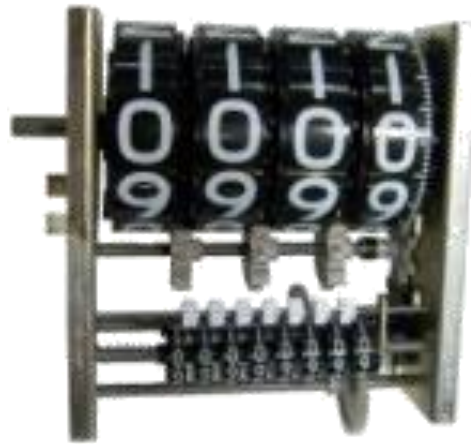


Liter Faceplate (5)

# KIT900LREP – Bulk Liter Register Kit

---

- For 900 Series mechanical meters.

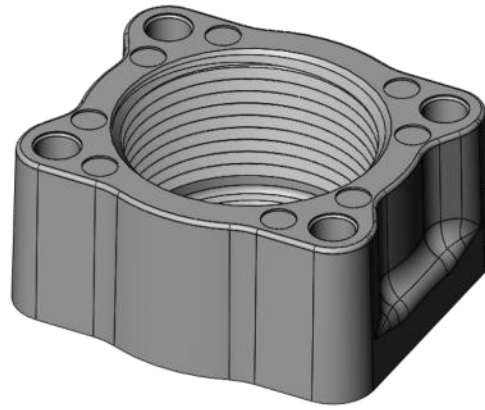


Liter Register (5)

# KIT900FGP – Bulk 1½” NPT Meter Flange / Gasket Kit

---

- For 900 Series mechanical meters.



1½” Meter Flange (5)



Gasket (5)

# KIT900CGP – Bulk Cover Gasket Kit

---

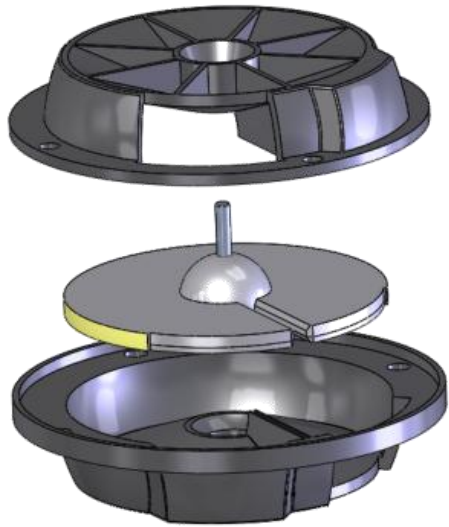
- For 900 Series mechanical meters.
- Material is Buna-N.



Cover Gasket (5)

# 900DKT – Rebuild Kit

- For 900 Digital meters.



Chamber Assembly



Magnetic Driver



Washer



Retaining Ring

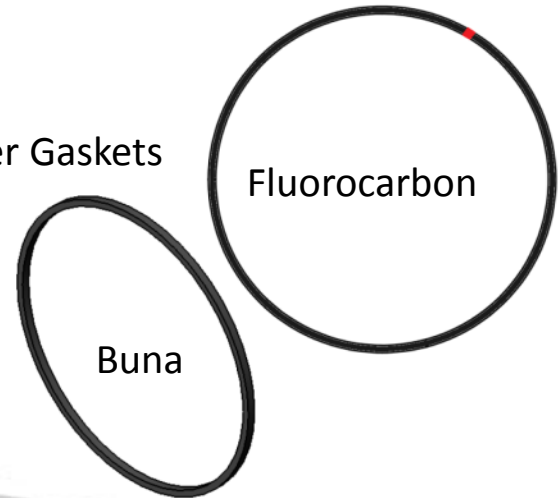


Torx Screws (4)

Flange Gaskets (2)



Cover Gaskets



Buna

Fluorocarbon

# KIT900DPBA – Intrinsically Safe Barrier

- For 900DP Digital meters.

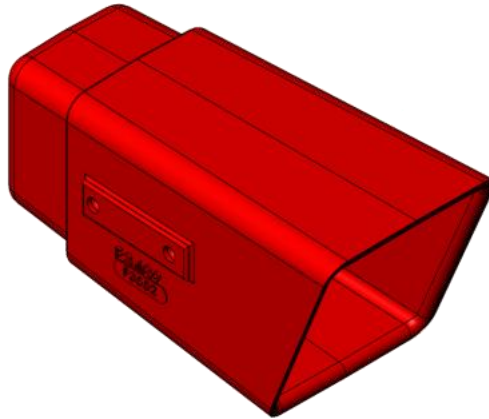


Intrinsically Safe  
Barrier

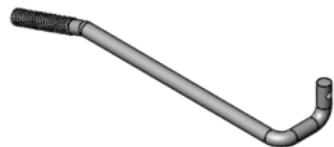


# 702KTF3518 – Universal Nozzle Boot and Switch Rod Kit

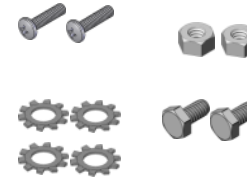
Universal Nozzle Boot



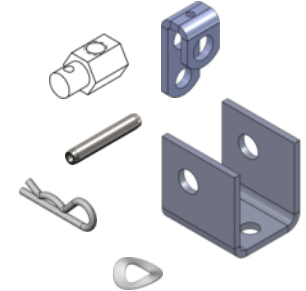
Switch Rod for 702 Series Pumps



Switch Rod for 305 Series Dispensers



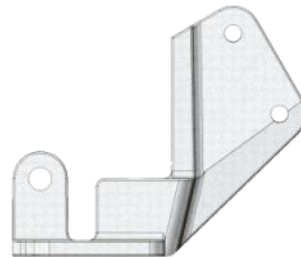
Fasteners



Switch Rod Hardware



Handle Switch



Nozzle Retainer



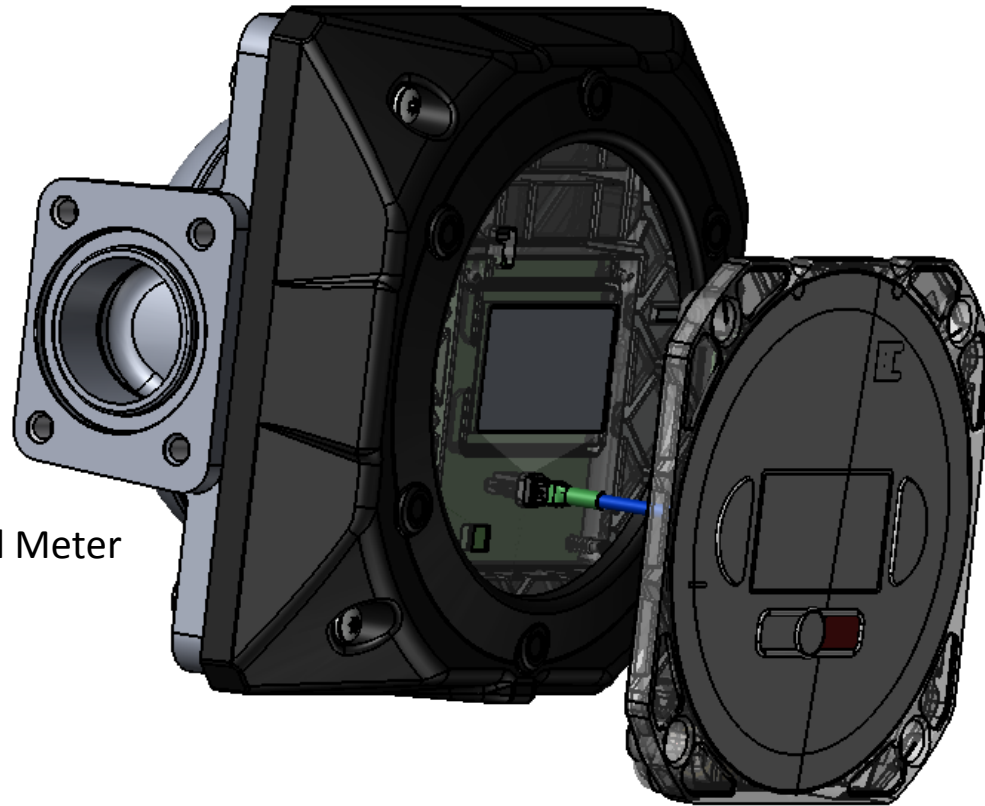
Handle Stop



Hole Plugs

# KIT900CABINT – Digital Meter Kit

- Used in the FR902DP and FR302DP Cabinets



900CDP Digital Meter

Register Assembly