

## Parts Lists

### Customer Service Number

After unpacking the equipment, please inspect the parts. Make sure all accessories are included and that no damage occurred during shipping. Report any damage to the shipper immediately and inform a customer service representative at 1-800-873-3313 of any equipment damage or missing parts.

### Pump Parts

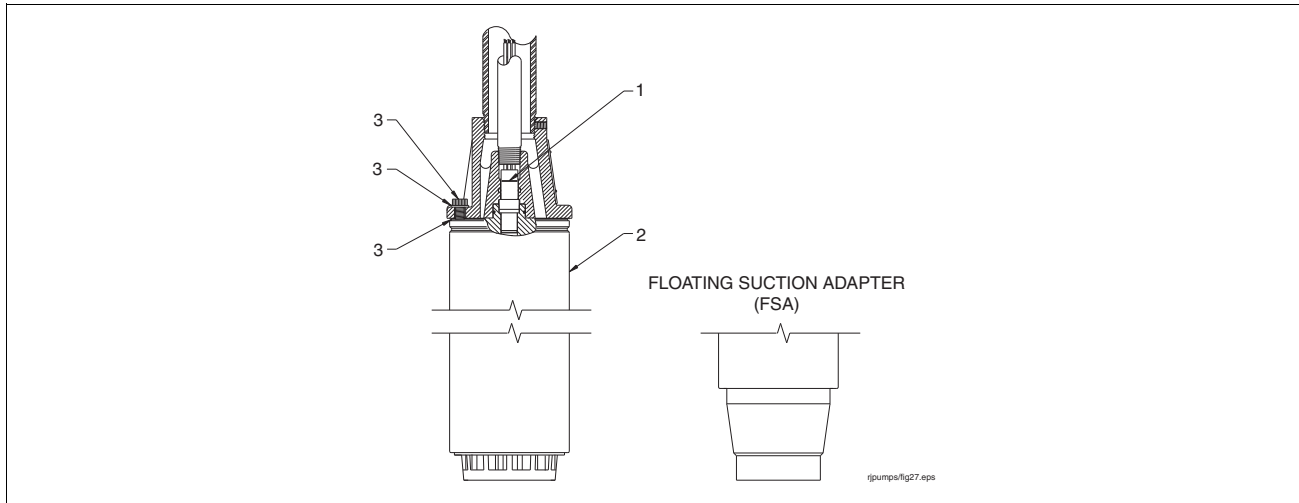
Table 8 lists the domestic pump parts list and Table 9 lists the international pump parts list.

**Table 8. Domestic Pump Parts List**

Item (ref. Figure 57)	Part No.	Description	DOM
1	410156-001	20 ft. pigtail	1
2	852-025-5	UMP75U1 W/FSA	1
2	852-042-5	UMP150U1 W/FSA	1
2	852-084-5	AGUMP75S1	1
2	852-199-5	UMP75U1	1
2	852-085-5	AGUMP150S1	1
2	852-200-5	UMP150U1	1
2	852-135-5	AGUMP75S1 W/FSA	1
2	852-136-5	AGUMP150S1 W/FSA	1
2	852-128-5	X3AGUMP150S1	1
2	852-202-5	X3UMP150U1	1
2	852-132-5	X3AGUMP150S1 W/FSA	1
2	852-203-5	X3UMP150U1 W/FSA	1
2	852-221-5	UMP200U1-3	1
2	410184-073	UMPL200U1-3	1
2	410184-075	UMPL200U1-3 W/FSA	1
2	852-222-5	AGUMP200S1-3	1
2	410184-074	AGUMPL200S1-3	1
2	410184-076	AGUMPL200S1-3 W/FSA	1
2	852-223-5	UMP200U1-3 W/FSA	1
2	852-224-5	AGUMP200S1-3 W/FSA	1
3	144-327-4	Kit - flex siphon/UMP (includes gasket, lockwashers and bolts)	1
---	144-194-5	Trapper - retrofit (not shown)	1
2	852-198-5	UMP33R1	1
2	852-024-5	UMP33R1 w/FSA	1
2	852-083-5	AGUMP33R1	1

**Table 8. Domestic Pump Parts List**

Item (ref. Figure 57)	Part No.	Description	DOM
2	852-134-5	AGUMP33R1 w/FSA	1
3	410818-001	Kit - flex siphon/UMP AG (includes gasket, lockwashers and bolts)	1



**Figure 57. Pump Parts**

**Table 9. International Pump Parts List**

Item (ref. Figure 57)	Part No.	Description	INTL
1	410156-001	20 ft. pigtail	1
2	852-204-5	UMP75U3-3	1
2	852-205-5	UMP150U3-3	1
2	852-206-5	UMP75U3-3 W/FSA	1
2	852-207-5	UMP150U3-3 W/FSA	1
2	852-107-5	AGUMP75S3-3	1
2	852-111-5	AGUMP75S3-3 W/FSA	1
2	852-108-5	AGUMP150S3-3	1
2	852-112-5	AGUMP150S3-3 W/FSA	1
2	852-192-5	UMP75U3-3 W/2" Discharge head	1
2	852-193-5	UMP150U3-3 W/2" Discharge head	1
2	852-194-5	X4UMP150U3 W/2" Discharge head	1
2	410184-034	UMP75U17-3 W/2" Discharge head	1
2	410184-036	UMP150U17-3 W/2" Discharge head	1
2	410184-038	X4UMP150U17 W/2" Discharge head	1

Table 9. International Pump Parts List

Item (ref. Figure 57)	Part No.	Description	INTL
2	410184-033	UMP75U17-3	1
2	410184-035	UMP150U17-3	1
2	410184-041	AGUMP75S17-3	1
2	410184-043	AGUMP150S17-3	1
2	410184-053	AGUMP75S17-3 W/FSA	1
2	410184-054	AGUMP150S17-3 W/FSA	1
2	852-153-5	X4UMP150U3	1
2	852-154-5	X4UMP150U3 W/FSA	1
2	410184-037	X4UMP150U17	1
2	410184-051	X4UMP150U17 W/FSA	1
2	852-215-5	X4AGUMP150S3	1
2	852-216-5	X4AGUMP150S3 W/FSA	1
2	410184-045	X4AGUMP150S17	1
2	410184-055	X4AGUMP150S17 W/FSA	1
2	410184-049	UMP75U17-3 W/FSA	1
2	410184-050	UMP150U17-3 W/FSA	1
2	410184-005	UMP200U3-4	1
2	410184-001	AGUMP200S3-4	1
2	410184-039	UMP200U17-4	1
2	410184-047	AGUMP200S17-4	1
2	410184-007	UMP200U3-4 W/2" Discharge Head	1
2	410184-040	UMP200U17-4 W/2" Discharge Head	1
2	410184-011	UMP200U3-4 W/FSA	1
2	410184-052	UMP200U17-4 W/FSA	1
2	410184-009	AGUMP200S3-4 W/FSA	1
2	410184-056	AGUMP200S17-4 W/FSA	1
2	410184-042	AGUMP75S17-3 W/ 2" Discharge Head	1
2	410184-044	AGUMP150S17-3 W/2" Discharge Head	1
2	410184-046	X4AGUMP150S17 W/2" Discharge Head	1
2	410184-048	AGUMP200S17-4 W/2" Discharge Head	1
2	410184-057	ANZEx-UMP75U17-3	1
2	410184-058	ANZEx-UMP150U17-3	1
2	410184-059	ANZEx-X4UMP150U17	1
2	410184-060	ANZEx-UMP200U17-4	1

Table 9. International Pump Parts List

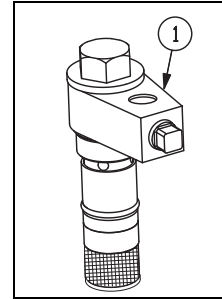
Item (ref. Figure 57)	Part No.	Description	INTL
2	410184-061	ANZEx-AGUMP75S17-3	1
2	410184-062	ANZEx-AGUMP150S17-3	1
2	410184-063	ANZEx-X4AGUMP150S17	1
2	410184-064	ANZEx-AGUMP200S17-4	1
2	410184-065	ANZEx-UMP75U17-3 W/FSA	1
2	410184-066	ANZEx-UMP150U17-3 W/FSA	1
2	410184-067	ANZEx-X4UMP150U17 W/FSA	1
2	410184-068	ANZEx-UMP200U17-4 W/FSA	1
2	410184-069	ANZEx-AGUMP75S17-3 W/FSA	1
2	410184-070	ANZEx-AGUMP150S17-3 W/FSA	1
2	410184-071	ANZEx-X4AGUMP150S17 W/FSA	1
2	410184-072	ANZEx-AGUMP200S17-4 W/ FSA	1
	410145-001	PACMAN-P75U3-3 (packaged) - 20%	1
	410146-001	PACMAN-P75U17-3 (packaged) - 20%	1
	410147-001	PACMAN-P150U3-3 (packaged) - 20%	1
	410148-001	PACMAN-P150U17-3 (packaged) - 20%	1
	410149-001	PACMAN-X4P150U3 (packaged) - 20%	1
	410150-001	PACMAN-X4P150U17 (packaged) - 20%	1
	410162-001	PACMAN-P200U3-4 (packaged) - 20%	1
	410163-001	PACMAN-P200U17-4 (packaged) - 20%	1
	410161-001	Seal - conduit adapter assembly	1
3	144-327-4	Kit - flex syphon/UMP (includes gasket, lockwashers and bolts)	1
	144-194-5	Trapper - retrofit (not shown)	1
3	410818-001	Kit - flex siphon/UMP AG (includes gasket, lockwashers and bolts)	1

## Siphon Cartridge Kit Parts

Table 10 lists the 410151-001 Siphon Cartridge Kit and 410151-002 AG Siphon Cartridge Kit parts list.

**Table 10. Siphon Cartridge Kits Parts List**

P/N 410151-001 SIPHON CARTRIDGE KIT			
Item (ref. Figure 58)	Part No.	Description	Qty.
1	410255-001	Siphon assembly	1
P/N 410151-002 AG SIPHON CARTRIDGE KIT			
Item (ref. Figure 58)	Part No.	Description	Qty.
1	410255-002	AG Siphon assembly	1



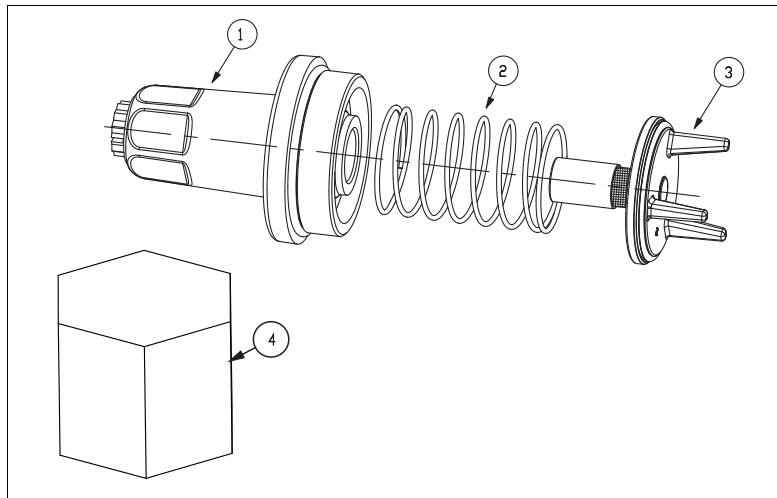
**Figure 58. Siphon Cartridge Kit**

## Check Valve Housing Kit Parts

Table 11 lists the 410152-001 Check Valve Housing Kit, 410152-002 High Pressure Check Valve Housing Kit, 410152-005 RA Check Valve Housing Kit and 410512-006 RA High Pressure Check Valve Housing Kit parts lists.

**Table 11. Check Valve Housing Kits Parts Lists**

P/N 410152-001 Check Valve Housing Kit Parts List				P/N 410152-002 High Pressure Check Valve Housing Kit Parts List			
Item (ref. Figure 59)	Part No.	Description	Qty.	Item (ref. Figure 59)	Part No.	Description	Qty.
1	410016-002	Housing assembly - chk/r/f vlv	1	1	410016-002	Housing assembly - chk/r/f vlv	1
2	410753-001	Spring	1	2	410753-001	Spring	1
3	410022-005	Poppet assembly - chk/r/f vlv	1	3	410022-006	Poppet assembly - chk/r/f vlv	1
P/N 410152-005 RA Check Valve Housing Kit Parts List				P/N 410152-006 RA High Pressure Check Valve Housing Kit Parts List			
Item (ref. Figure 59)	Part No.	Description	Qty.	Item (ref. Figure 59)	Part No.	Description	Qty.
1	410016-004	Housing assembly - chk/r/f vlv	1	1	410016-004	Housing assembly - chk/r/f vlv	1
2	410753-001	Spring	1	2	410753-001	Spring	1
3	410022-005	Poppet assembly - chk/r/f vlv	1	3	410022-006	Poppet assembly - chk/r/f vlv	1
4	410908-001	Powder coat protector	1	4	410908-001	Powder coat protector	1



**Figure 59. Check Valve Housing Kit**

## Check Valve Kit Parts

Table 12 lists the 410153-001 Check Valve Kit parts list.

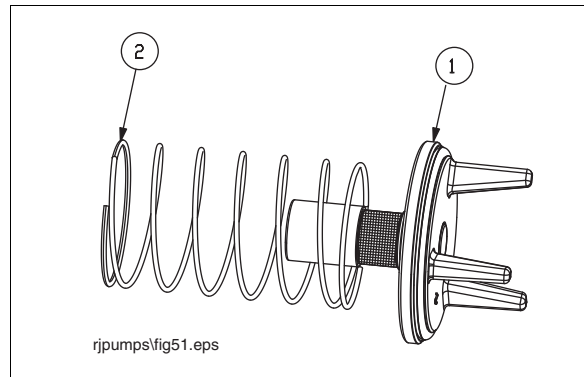
**Table 12. 410153-001 Check Valve Kit Parts List**

Item (ref. Figure 60)	Part No.	Description	Qty.
1	410022-005	Poppet assembly - chk/r/f vlv	1
2	410753-001	Spring	1

Table 13 lists the 410153-002 Hi Pressure Check Valve Kit parts list.

**Table 13. 410153-002 Hi Pressure Check Valve Kit Parts List**

Item (ref. Figure 60)	Part No.	Description	Qty.
1	410022-006	Hi press poppet assembly - chk/r/f vlv	1
2	410753-001	Spring	1



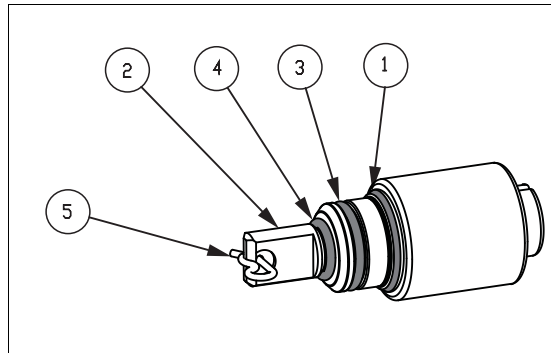
**Figure 60. Check Valve Kit**

## Air Purge Screw Kit Parts

Table 14 lists the 410484-001 Air Purge Screw Kit parts list.

**Table 14. 410484-001 Air Purge Screw Kit Parts List**

Item (ref. Figure 61)	Part No.	Description	Qty.
1	410064-001	O-ring-015-V75	1
2	410134-002	Screw - air purge - SST	1
3	579005-007	O-ring-014-V121	1
4	579005-009	O-ring-903-V121	1
5	579014-002	Clip - hitch pin clip- SST	1



**Figure 61. Air Purge Screw Kit**

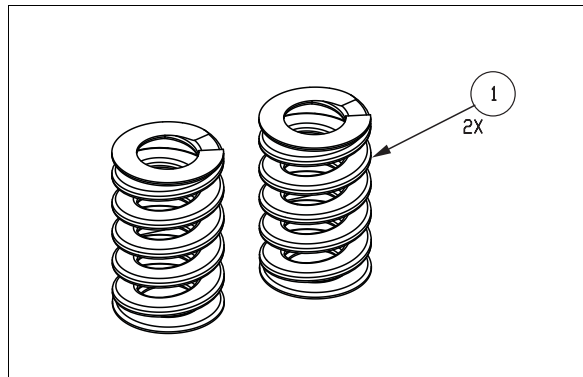


## Die Spring Kit Parts

Table 15 lists the 410485-001 Die Spring Kit parts list.

**Table 15. 410485-001 Die Spring Kit Parts List**

Item (ref. Figure 62)	Part No.	Description	Qty.
1	410133-001	Die spring	2



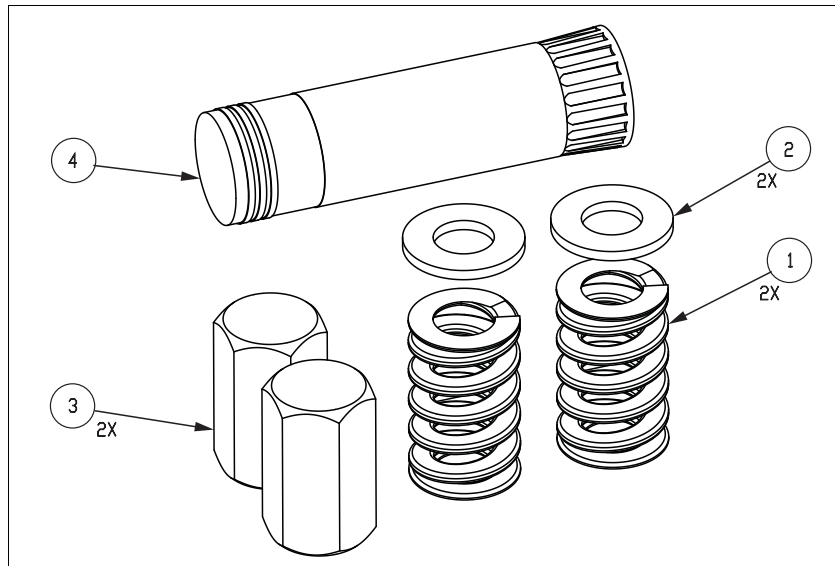
**Figure 62. Die Spring Kit**

## RA Die Spring Kit Parts

Table 16 lists the 410906-001 RA Die Spring Kit parts list.

**Table 16. 410906-001 RA Die Spring Kit Parts List**

Item (ref. Figure 63)	Part No.	Description	Qty.
1	410133-002	Spring - die, stainless steel	2
2	579301-001	Washer - flat-531 x 1.062 x 0.095, stainless steel	2
3	410823-001	Nut - hex stud cover	2
4	579165-001	Anti-seize compound - metal free - stick - 20g	1



**Figure 63. RA Die Spring Kit**

## Conduit Box Plug Kit Parts

Table 17 lists the 067-258-5 Conduit Box Plug (STD) Kit parts list.

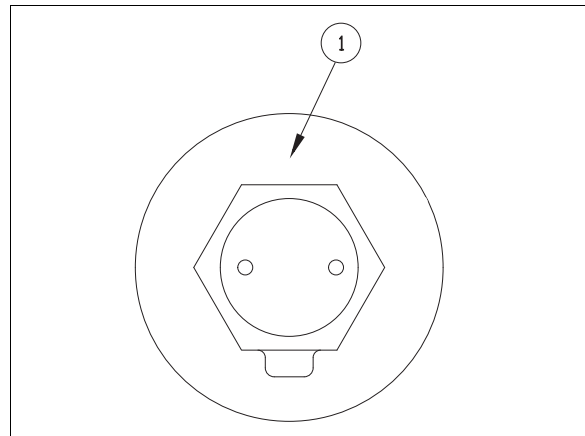
**Table 17. 067-258-5 Conduit Box Plug (STD) Kit Parts List**

Item (ref. Figure 64)	Part No.	Description	Qty.
1	067-258-4	Conduit plug assembly (STD)	1

Table 18 lists the 067-259-5 Conduit Box Plug (AG) Kit parts list.

**Table 18. 067-259-5 Conduit Box Plug (AG) Kit Parts List**

Item (ref. Figure 64)	Part No.	Description	Qty.
1	067-259-4	Conduit plug assembly (AG)	1

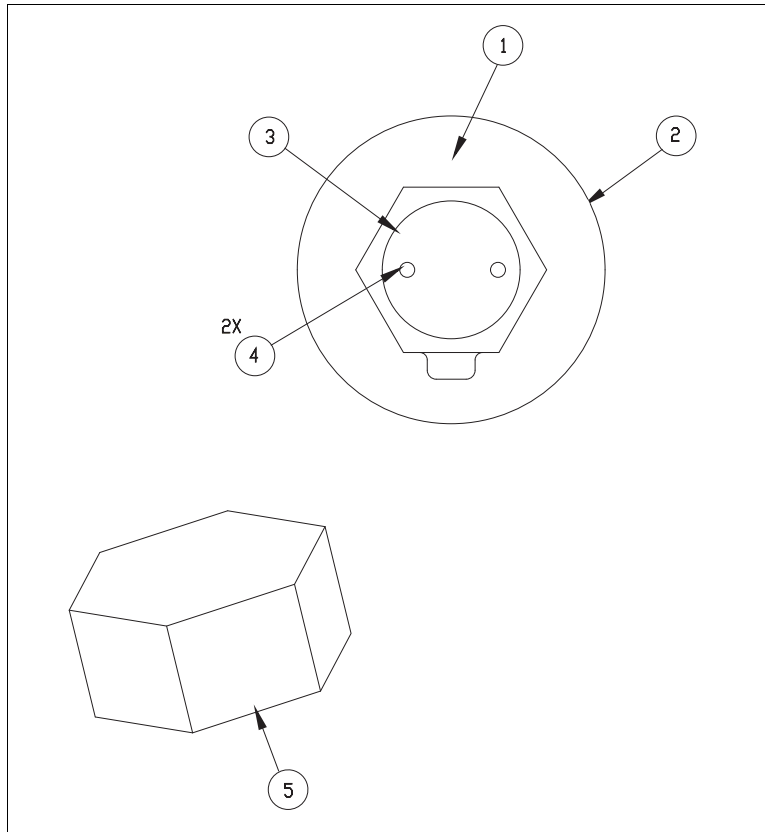


**Figure 64. Conduit Box Plug Kit**

Table 19 lists the 410905-001 RA Conduit Box Plug Kit parts list.

**Table 19. 410905-001 RA Conduit Box Plug Kit Parts List**

Item (ref. Figure 65)	Part No.	Description	Qty.
1	410855-001	Plug-conduit box - powder coated	1
2	072-656-1	O-Ring- 1.750 I.D. x 0.118 W (-928)-V123	1
3	410695-002	Nameplate-conduit box cover-SST	1
4	579300-001	Screw-#2 X 3/16 drive-SST	2
5	410907-001	Protector-conduit plug	1



**Figure 65. RA Conduit Box Plug Kit**

## Eyebolt Plug Kit Parts

Table 20 lists the 410482-001 Eyebolt Plug Kit parts list.

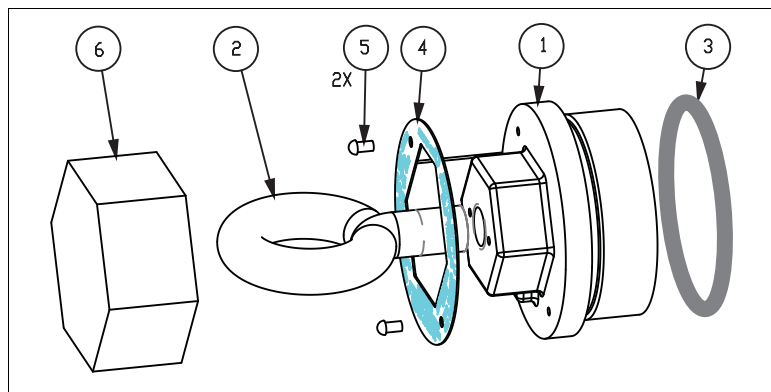
**Table 20. 410482-001 Eyebolt Plug Kit Parts List**

Item (ref. Figure 66)	Part No.	Description	Qty.
1	410118-001	Plug-lifting eyebolt-mach-painted	1
2	410118-001	Eyebolt-lifting	1
3	072-720-1	O-ring-928-V75 (conduit box plugs)	1
4	410126-001	Nameplate-lifting plug	1
5	026-236-1	Screw-#2 X 3/16 drive	2

Table 21 lists the 410482-002 RA Eyebolt Plug Kit parts list.

**Table 21. 410482-002 RA Eyebolt Plug Kit Parts List**

Item (ref. Figure 66)	Part No.	Description	Qty.
1	410118-002	Plug-lifting eyebolt-mach-coated	1
2	410844-001	Eyebolt-0.500-13-stainless steel	1
3	072-720-1	O-ring-928-V75 (conduit box plugs)	1
4	410126-005	Nameplate-lifting plug-Red Armor™	1
5	579300-001	Drive screw-#2 X 0.188 LG-SST	2
6	410907-001	Protector-conduit plug	1



**Figure 66. Eyebolt Plug Kit**

## Siphon Dummy Plug Kit Parts

Table 20 lists the 410483-001 AG Siphon Dummy Plug Kit parts list.

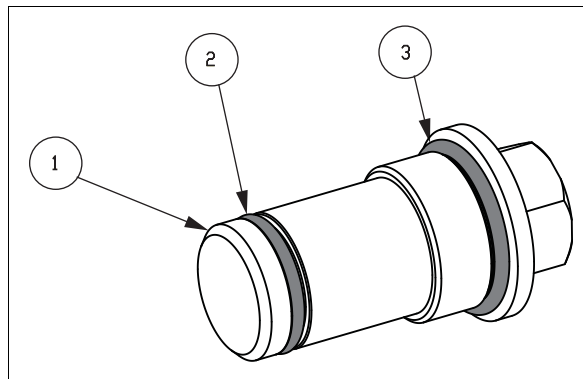
**Table 22. 410483-001 AG Siphon Dummy Plug Kit Parts List**

Item (ref. Figure 67)	Part No.	Description	Qty.
1	410081-001	Port plug - siphon	1
2	579005-004	O-ring 0.813 I.D. x 0.09 W (-117) - V121	1
3	579005-005	O-ring 1.063 I.D. x 0.09 W (-121) - V121	1

Table 21 lists the 410483-002 RA Siphon Dummy Plug Kit parts list.

**Table 23. 410483-002 RA Siphon Dummy Plug Kit Parts List**

Item (ref. Figure 67)	Part No.	Description	Qty.
1	410081-002	Port plug - siphon	1
2	579005-004	O-ring 0.813 I.D. x 0.09 W (-117) - V121	1
3	579005-005	O-ring 1.063 I.D. x 0.09 W (-121) - V121	1



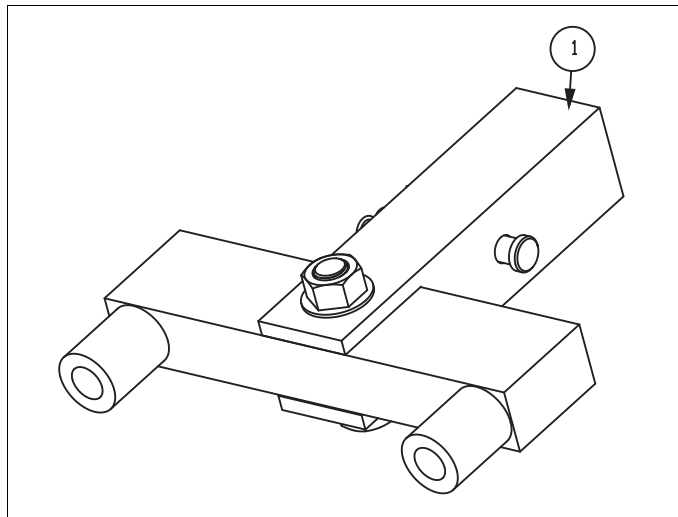
**Figure 67. Siphon Dummy Plug Kit**

## Manifold Installation Tool Kit

Table 24 lists the 410912-001 Manifold Installation Tool Kit parts list.

**Table 24. 410912-001 Manifold Installation Tool Kit Parts List**

Item (ref. Figure 68)	Part No.	Description	Qty.
1	410890-001	ASM - Manifold install tool	1



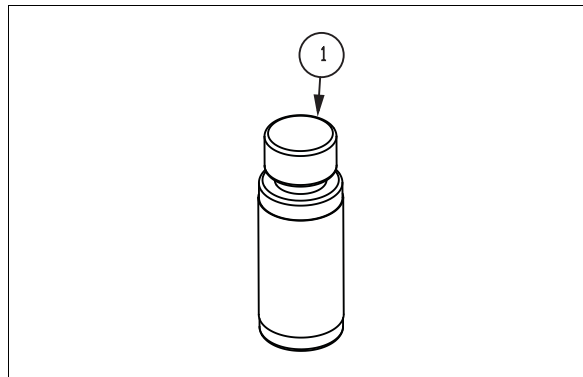
**Figure 68. Manifold Installation Tool Kit**

## RA Touch-Up Paint Kit

Table 25 lists the 410913-001 RA Touch-Up Paint Kit parts list.

**Table 25. 410913-001 RA Touch-Up Paint Kit Parts List**

Item (ref. Figure 69)	Part No.	Description	Qty.
1	410910-001	Paint - touch up - Red Armor™	1



**Figure 69. RA Touch-Up Paint Kit**

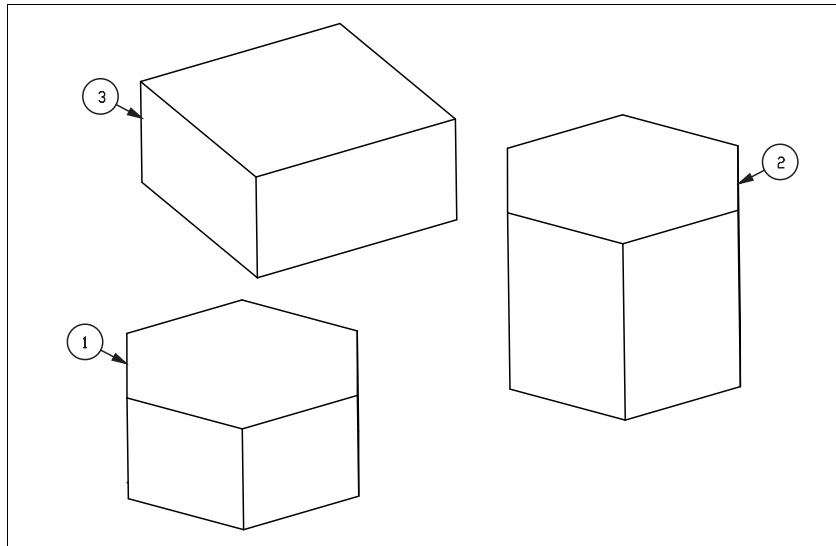


## Powder Coat Protector Kit

Table 25 lists the 410911-001 Powder Coat Protector Kit parts list.

**Table 26. 410911-001 Powder Coat Protector Kit Parts List**

Item (ref. Figure 70)	Part No.	Description	Qty.
1	410907-001	Protector - conduit plug	1
2	410908-001	Protector - check valve	1
3	410909-001	Protector - MLD plug	1



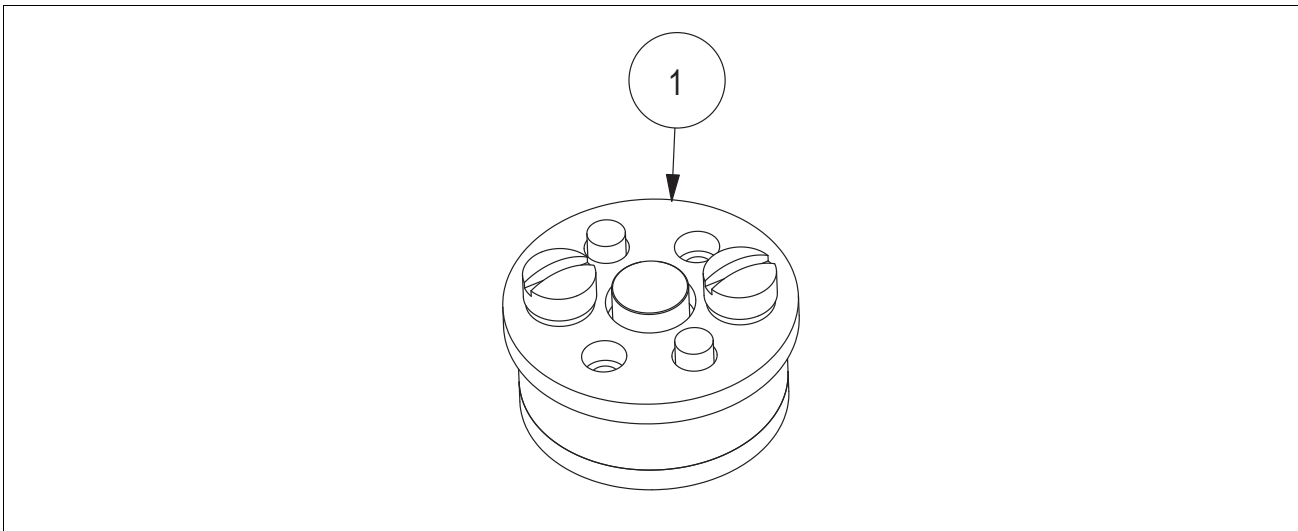
**Figure 70. Powder Coat Protector Kit**

## Conduit Bushing Kit Parts

Table 27 lists the 410486-001 Conduit Bushing Kit parts list.

**Table 27. 410486-001 Conduit Bushing Kit Part List**

Item (ref. Figure 71)	Part No.	Description	Qty.
1	410301-001	Bushing - Conduit	1



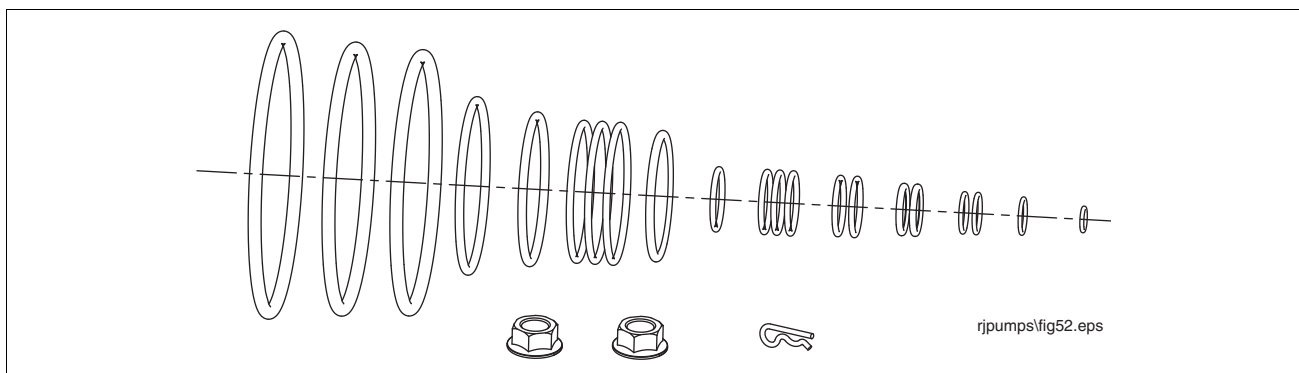
**Figure 71. Conduit Bushing**

## O-Ring Kit Parts

Table 28 lists the 410154-001 O-ring Kit parts list.

**Table 28. 410154-001 O-Ring Kit Parts List**

(Ref. Figure)	Part No.	Description	Qty.
Figure 42 on page 48	072-541-1	O-ring - 118-V121	1
Figure 44 on page 51	072-578-1	O-ring - 225-V123	1
Figure 44 on page 51	072-685-1	O-ring - 114-V123	2
Figure 42 on page 48	072-686-1	O-ring - 228-V123	1
Figure 42 on page 48	072-720-1	O-ring - 928-V75	3
Figure 42 on page 48	579005-001	O-ring - 343-V121	1
Figure 42 on page 48	579005-002	O-ring - 344-V121	1
Figure 42 on page 48	579005-003	O-ring - 345-V121	1
Figure 34 on page 38	579005-004	O-ring - 117-V121	2
Figure 34 on page 38	579005-005	O-ring - 121-V121	4
Figure 44 on page 51	579005-006	O-ring - 231-V121	1
Figure 55 on page 63	579005-007	O-ring - 014-V121	1
Figure 55 on page 63	579005-009	O-ring - 903-V121	1
Figure 7 on page 15, Figure 41 on page 46, and Figure 55 on page 63	072-690-1	O-ring - 015-V123	2
Figure 39 on page 45	410127-001	Nut - flanged - M12x1.75-6H <b>NOTICE</b> For RA applications, discard the enclosed nuts and use the nuts supplied with the 410906-001 RA Die Spring kit.	2
Figure 53 on page 62	579014-002	Hitch pin	1
Appendix C	577013-835	O-ring gauge	1



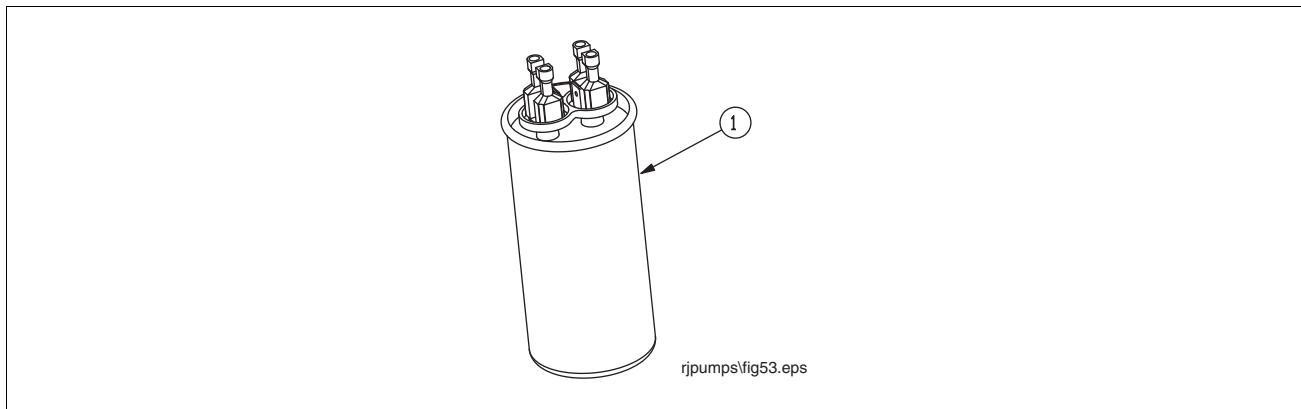
**Figure 72. O-Ring Kit**

## Capacitor Kits

Table 29 lists the Capacitor Kit parts list.

**Table 29. Capacitor Kits**

Item (ref. Figure 73)	Part No.	Description	Qty.
1	410164-001	17.5 $\mu$ F Capacitor	1
1	410164-002	25 $\mu$ F Capacitor	1
1	410164-003	40 $\mu$ F Capacitor	1



**Figure 73. Capacitor Kit**

## Electrical Connector Kit Parts

Table 30 lists the 410165-001 Electrical Connector Kit parts list.

**Table 30. 410165-001 Electrical Connector Kit Parts List**

Item (ref. Figure 74)	Part No.	Description	Qty.
1	113-640-4	Connector - male	1
2	410117-001	Connector - electrical	1
3	072-541-1	O-ring - 118 - V121	1
4	072-214-1	Ring - internal lock - 5/8" ID x 7/8" OD	1

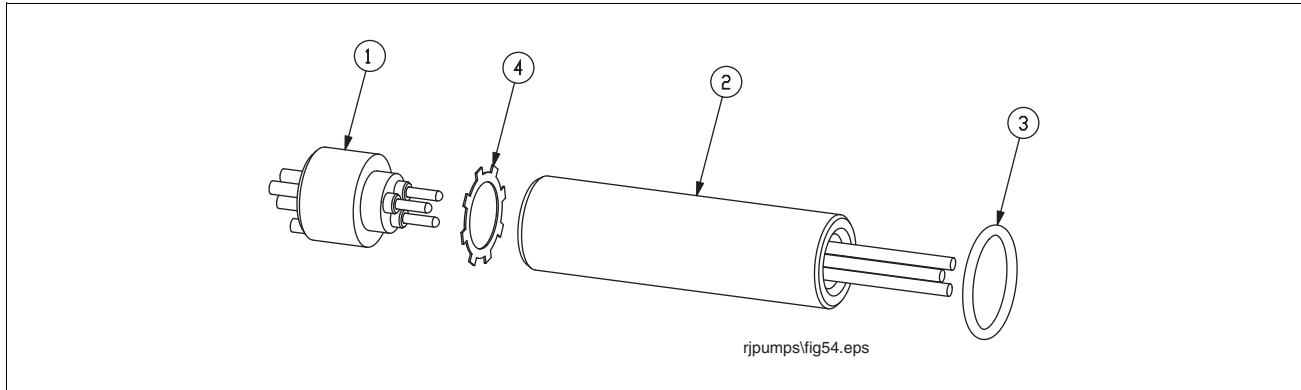


Figure 74. Electrical Connector Kit

### Control Boxes

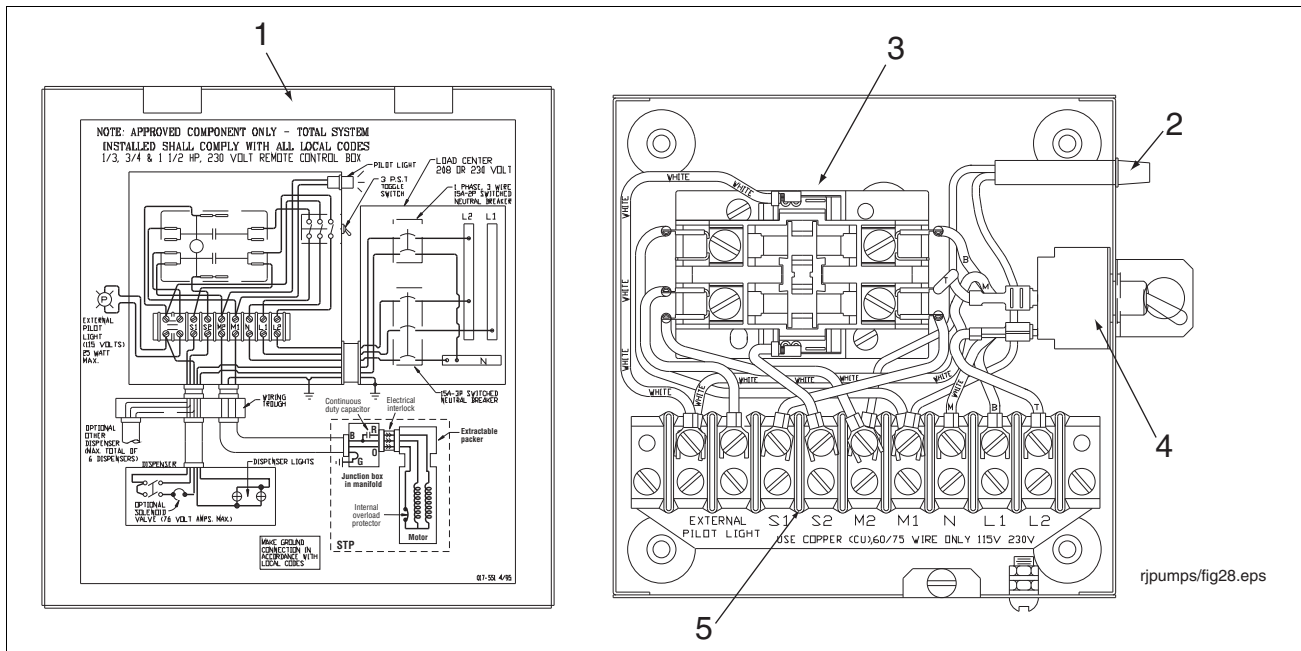


Figure 75. 880-041-5/880-042-5 Control Box

Table 31. 880-041-5 Control Box W/115V Coil (60 Hz)

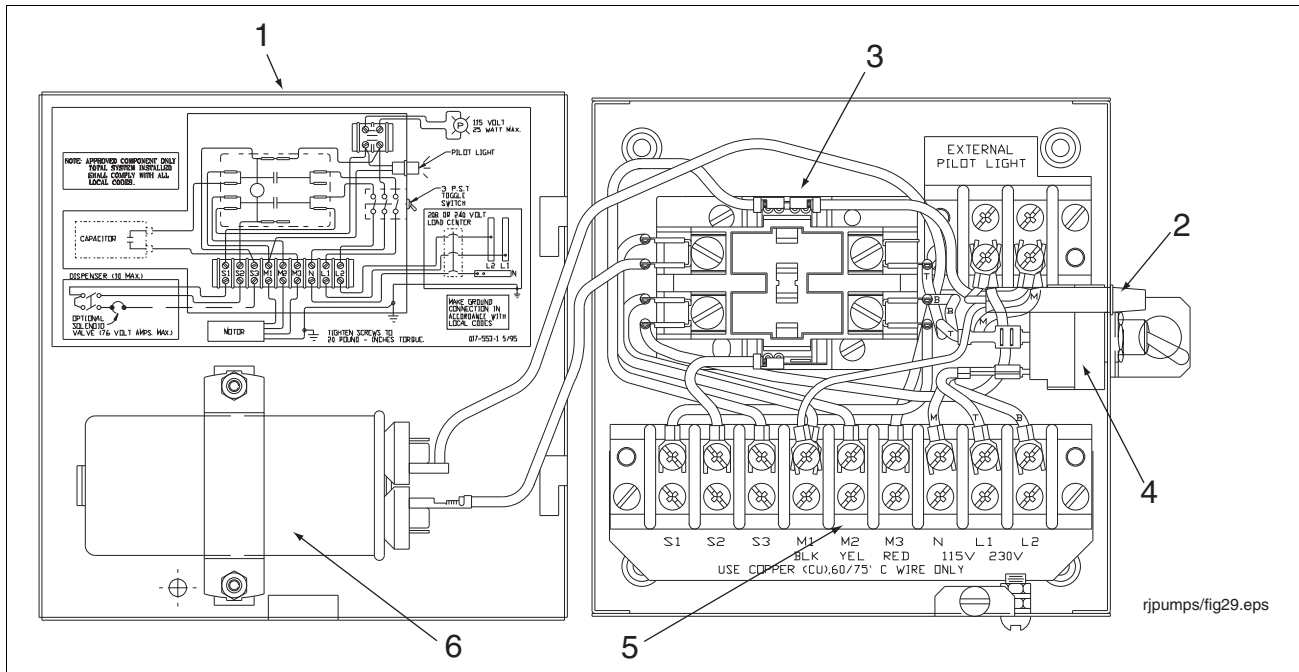
Item (Ref. Figure 75)	Part No.	Description	Qty.
1	108-572-4	Control box	1
2	147-006-1	Pilot light ass'y	1

**Table 31. 880-041-5 Control Box W/115V Coil (60 Hz)**

Item (Ref. Figure 75)	Part No.	Description	Qty.
3	014-723-1	Line contractor relay	1
4	080-858-1	Toggle switch	1
5	008-202-1	Terminal block	1

**Table 32. 880-042-5 Control Box W/230V Coil (50/60 Hz)**

Item (Ref. Figure 75)	Part No.	Description	Qty.
1	108-572-4	Control box	1
2	147-006-1	Pilot light ass'y	1
3	014-720-1	Line contractor relay	1
4	080-858-1	Toggle switch	1
5	008-202-1	Terminal block	1



**Figure 76. 880-045-5/880-046-5 Control Box**

**Table 33. 880-045-5 1/3 And 3/4 HP Control Box W/Cap (115V Coil)**

Item (Ref. Figure 76)	Part No.	Description	Qty.
1	123-141-1	Control box	1
2	147-006-1	Pilot light ass'y	1
3	014-723-1	Line contractor relay	1
4	080-858-1	Toggle switch	1
5	008-202-1	Terminal block	1
6	111-092-5	Capacitor	1

**Table 34. 880-046-5 All 1-1/2 HP Control Box W/Cap (115V Coil)**

Item (Ref. Figure 76)	Part No.	Description	Qty.
1	123-141-1	Control box	1
2	147-006-1	Pilot light ass'y	1
3	014-723-1	Line contractor relay	1
4	080-858-1	Toggle switch	1
5	008-202-1	Terminal block	1
6	111-661-5	Capacitor	1